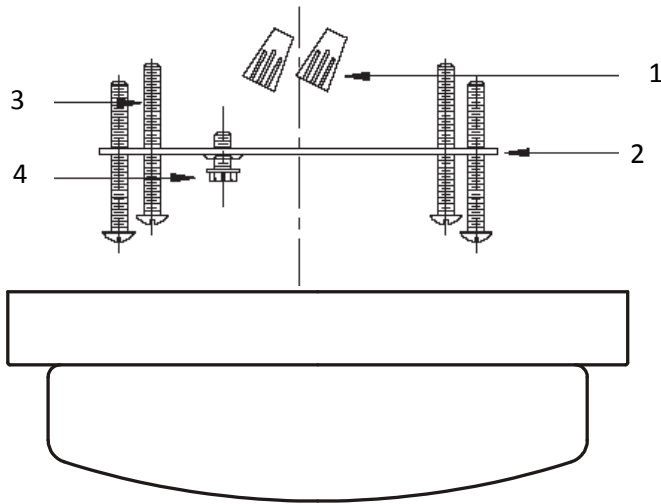
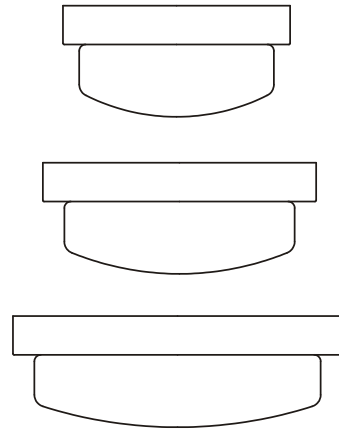


# PARK HARBOR™

PHFL4071/4072/4073 BN/ORB/PC



Parts Breakdown

No.	Part Name	Spanish	French	Part No.
1	Wire connector (2pc)	Conector de cable (2pc)	Capuchon de connexion (2pc)	PHSPRHDWR2WTY
2	Mounting bar (1pc)	Barra de montaje (1pc)	Barrette de fixation (1pc)	
3	Screw (4pcs)	Tornillo (4pcs)	Vis (4pcs)	
4	Ground screw (1pc)	Tornillo a tierra (1pc)	Vis de borne de terre (1pc)	