

**Highlights**

- Trip Lever type

## 19 Series

### Waste & Overflow

**Code Compliance**

Price Pfister products are designed and manufactured in compliance with the following standards and codes:

- IAPMO certified                      • ASME A112.18.1
- CSA B125 certified                 • ANSI A117.1 (Lever handles only)

<b>Finishes</b>	19-020	19-020N	19-020P	19-110	19-110P	19-112	19-170K
Polished Chrome	X			X		X	X
Pforever Pfinish® Polished Brass			X		X		
Antique Brass		X					

<b>Features</b>	19-020	19-020N	19-020P	19-110	19-110P	19-112	19-170K
1 ½" 17 Gauge with Brass Nuts				X	X		
1 ½" 20 Gauge with Brass Nuts	X	X	X				
1 ½" 20 Gauge with Brass Nuts for Cast Iron Tubs						X	
Extension Kit							X
Step-By-Step Installation Instructions	X	X	X	X	X	X	
Pforever Warranty®	X	X	X	X	X	X	X

Use Extension Kit for Deep Tubs & Spas.



- 19-020
- 19-020N
- 19-020P
- 19-110
- 19-110P
- 19-112
- 19-170K

For additional information, please contact your Price Pfister representative, or visit our website at [www.pricepfister.com](http://www.pricepfister.com).

**Project:** \_\_\_\_\_

**Contractor:** \_\_\_\_\_

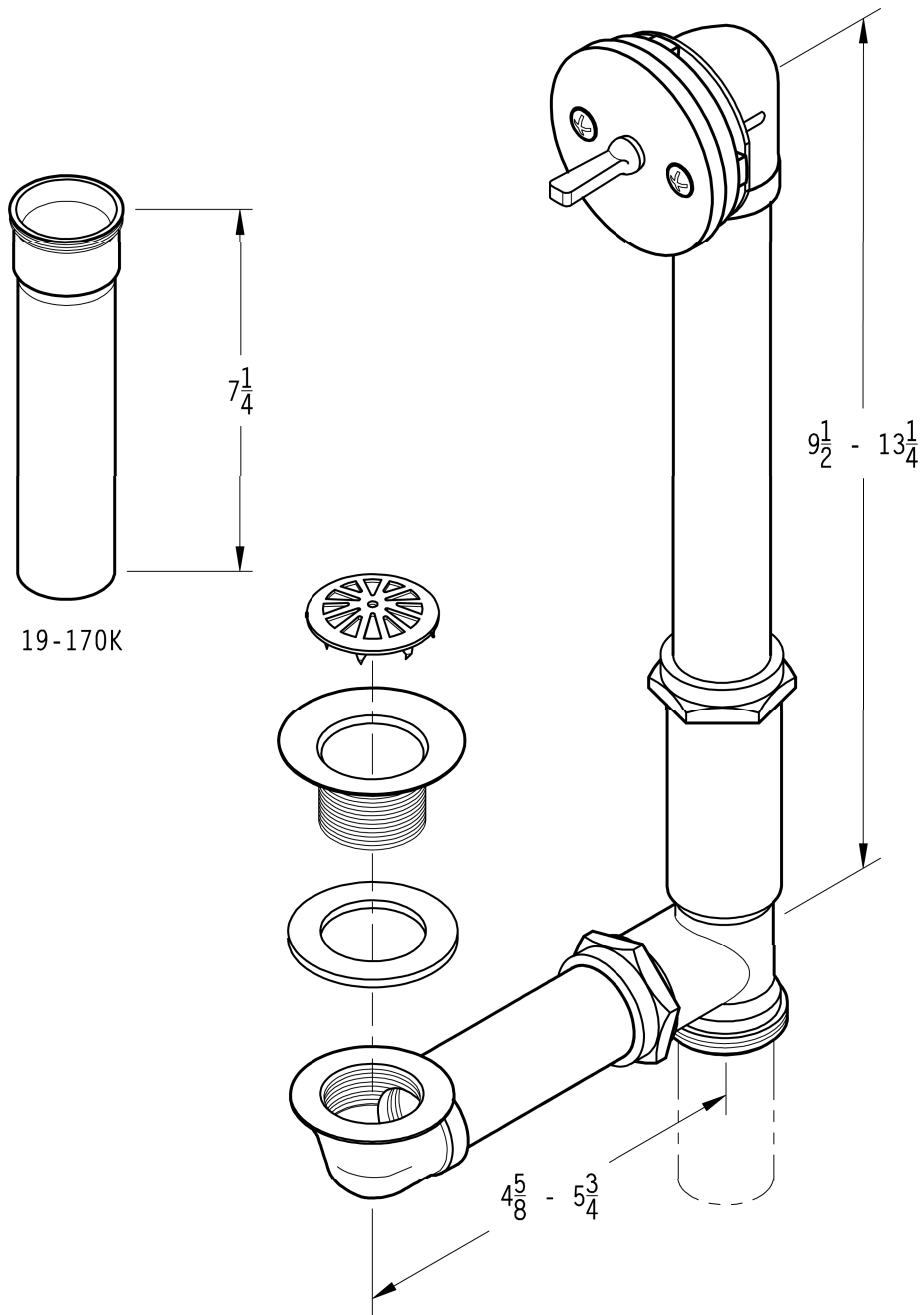
SS-019-01

**1-800-PFAUCET** [www.pricepfister.com](http://www.pricepfister.com)  
 19701 DaVinci, Lake Forest, CA 92610  
 01/8/03

**Price Pfister®**  
 Pfreshet Ideas in Pfaucets.

# 19 Series

## Waste & Overflow



Dimensions are in Inches

**1-800-PFAUCET** [www.pricepfister.com](http://www.pricepfister.com)  
19701 DaVinci, Lake Forest, CA 92610  
01/8/03

**Price Pfister®**  
Pf Pfreshet Ideas in Pf faucets.

SS-019-01

