



**BUILDER/COMFORT BATH SERIES
INSTALLATION AND OPERATING INSTRUCTIONS**

**SERIE DE TINAS BUILDER/COMFORT
MANUAL DE INSTALACIÓN Y OPERACIÓN**

Installer: Leave this manual for homeowner.

Homeowner: Read this manual and keep for future reference.

Instalador: Deje este manual para el propietario.

Propietario: Lea este manual y guardelo para referencia en el futuro.

IMPORTANT SAFETY INSTRUCTIONS

READ AND FOLLOW ALL INSTRUCTIONS

SAVE THESE INSTRUCTIONS

 **CAUTION:** TEST THE GROUND FAULT CIRCUIT INTERRUPTER PROTECTING THIS APPLIANCE PERIODICALLY IN ACCORDANCE WITH MANUFACTURER'S INSTRUCTIONS.

WARNING: RISK OF ACCIDENTAL INJURY OR DROWNING; CHILDREN SHOULD NOT USE HYDROMASSAGE BATHTUB WITHOUT ADULT SUPERVISION.

WARNING: TO AVOID INJURY, EXERCISE CAUTION WHEN ENTERING OR EXITING THE HYDROMASSAGE BATHTUB

WARNING: RISK OF ACCIDENTAL INJURY OR DROWNING; DO NOT USE HYDROMASSAGE BATHTUB UNLESS ALL SUCTION GUARDS ARE INSTALLED TO PREVENT BODY AND HAIR ENTRAPMENT.

WARNING: KEEP BODY AND HAIR A MINIMUM OF 6" AWAY FROM SUCTION FITTING AT ALL TIMES WHEN THE WHIRLPOOL SYSTEM IS OPERATING. HAIR LONGER THAN SHOULDER LENGTH SHOULD BE SECURED CLOSE TO THE HEAD.

WARNING: NEVER DROP OR INSERT ANY OBJECT INTO ANY OPENING.

WARNING: RISK OF ELECTRICAL SHOCK; DO NOT PERMIT ELECTRICAL APPLIANCES (SUCH AS HAIR DRYER, LAMP, TELEPHONE, RADIO OR TELEVISION) WITHIN 60" (1.5 M) OF THIS HYDROMASSAGE BATHTUB.

WARNING: RISK OF ACCIDENTAL INJURY OR DROWNING; DO NOT USE DRUGS OR ALCOHOL BEFORE OR DURING THE USE OF HYDROMASSAGE BATHTUB EQUIPPED WITH A HEATER TO AVOID UNCONSCIOUSNESS AND POSSIBLE DROWNING.

WARNING: RISK OF FETAL INJURY; PREGNANT OR POSSIBLY PREGNANT WOMEN SHOULD CONSULT A PHYSICIAN BEFORE USING A HYDROMASSAGE BATHTUB EQUIPPED WITH A HEATER.

WARNING: RISK OF HYPERTHERMIA AND POSSIBLE DROWNING; DO NOT USE A HYDROMASSAGE BATHTUB EQUIPPED WITH A HEATER IMMEDIATELY FOLLOWING STRENUOUS EXERCISE.

WARNING: RISK OF HYPERTHERMIA AND POSSIBLE DROWNING; WATER TEMPERATURE IN EXCESS OF 104°F (40°C) MAY BE INJURIOUS TO YOUR HEALTH. CHECK AND ADJUST WATER TEMPERATURE BEFORE USE.

WARNING: RISK OF HYPERTHERMIA; PEOPLE USING MEDICATIONS AND/OR HAVING AN ADVERSE MEDICAL HISTORY SHOULD CONSULT A PHYSICIAN BEFORE USING A HYDROMASSAGE BATHTUB EQUIPPED WITH A HEATER.

THIS UNIT MUST BE CONNECTED ONLY TO A SUPPLY CIRCUIT(S) THAT IS PROTECTED BY A GROUND FAULT CIRCUIT INTERRUPTER (GFCI). SUCH A GFCI SHOULD BE PROVIDED BY THE INSTALLER AND SHOULD BE TESTED ON A ROUTINE BASIS. TO TEST THE GFCI, PUSH THE TEST BUTTON. THE GFCI SHOULD INTERRUPT POWER. PUSH THE RESET BUTTON. POWER SHOULD BE RESTORED. IF THE GFCI FAILS TO OPERATE IN THIS MANNER, THERE IS A GROUND CURRENT FLOWING, INDICATING A POSSIBILITY OF AN ELECTRIC SHOCK. DO NOT USE THIS UNIT. DISCONNECT THE UNIT AND HAVE THE PROBLEM CORRECTED BY A QUALIFIED ELECTRICIAN BEFORE USING.

A PRESSURE WIRE CONNECTOR IS PROVIDED ON THE EXTERIOR OF THE MOTOR TO PERMIT CONNECTION OF AN NO. 8 AWG (8.4 MM) SOLID COPPER BONDING CONDUCTOR BETWEEN THIS UNIT AND ALL OTHER ELECTRIC EQUIPMENT AND EXPOSED METAL IN THE VICINITY, AS NEEDED TO COMPLY WITH LOCAL REQUIREMENTS.

PRECAUTIONS

- Do not operate the whirlpool system unless the bath is filled with water to at least 1" above the highest jet.
- Do not immerse the control panel by overfilling the bath.
- Do not use oil-based bath additives in your whirlpool bath.
- When cleaning your bath, do not use abrasive substances which will damage the bath's surface.
- To prevent discoloration of the acrylic finish, do not fill the bath with water in excess of 140°F (60°C).
- The whirlpool system should be purged at least twice a month. For your convenience, we have developed a plumbing system cleaner (Systems Clean™) specifically for whirlpool baths. For availability call 1-800-288-4002.
- Use this unit only for its intended purpose as described in this manual. Do not use attachments not recommended by the manufacturer.
- A pressure wire connector is provided on the exterior of the motor to permit connection of an No. 8 AWG (8.4 mm) solid copper bonding conductor between this unit and all other electric equipment and exposed metal in the vicinity, as needed to comply with local requirements.
- This unit should be electrically grounded and installed by a licensed contractor, electrician, and plumber.
- For built-in and drop-in units, install to permit access for servicing.

Note: This is a professional grade product. A knowledge of construction techniques, plumbing and electrical installation according to codes are required for proper installation and user satisfaction. We recommend that a licensed contractor perform the installation of all Jacuzzi Whirlpool Bath products. Our warranty does not cover improper installation related problems.



ADDENDUM

Safety Instructions Change

IMPORTANT SAFETY INSTRUCTIONS READ AND FOLLOW ALL INSTRUCTIONS SAVE THESE INSTRUCTIONS

INSTRUCTIONS PERTAINING TO A RISK OF FIRE, ELECTRIC SHOCK, OR INJURY TO PERSONS

WARNING — WHEN USING THIS UNIT, BASIC PRECAUTIONS SHOULD ALWAYS BE FOLLOWED, INCLUDING THE FOLLOWING:

DANGER: TO REDUCE THE RISK OF INJURY, DO NOT PERMIT CHILDREN TO USE THIS UNIT UNLESS THEY ARE CLOSELY SUPERVISED AT ALL TIMES.

WARNING — USE THIS UNIT ONLY FOR ITS INTENDED USE AS DESCRIBED IN THIS MANUAL. DO NOT USE ATTACHMENTS NOT RECOMMENDED BY THE MANUFACTURER.

WARNING — NEVER DROP OR INSERT ANY OBJECT INTO ANY OPENING.

WARNING — DO NOT OPERATE THIS UNIT WITHOUT THE GUARD OVER THE SUCTION FITTING.

WARNING — THIS UNIT MUST BE CONNECTED ONLY TO A SUPPLY CIRCUIT THAT IS PROTECTED BY A GROUND FAULT CIRCUIT INTERRUPTER (GFCI). SUCH A GFCI SHOULD BE PROVIDED BY THE INSTALLER AND SHOULD BE TESTED ON A ROUTINE BASIS. TO TEST THE GFCI, PUSH THE TEST BUTTON. THE GFCI SHOULD INTERRUPT POWER. PUSH THE RESET BUTTON. POWER SHOULD BE RESTORED. IF THE GFCI FAILS TO OPERATE IN THIS MANNER, THE GFCI IS DEFECTIVE. IF THE GFCI INTERRUPTS POWER TO THE BATHTUB WITHOUT THE TEST BUTTON BEING PUSHED, A GROUND CURRENT FLOWING, INDICATING A POSSIBILITY OF AN ELECTRIC SHOCK. DO NOT USE THIS HYDROMASSAGE BATHTUB. DISCONNECT THE HYDROMASSAGE BATHTUB AND HAVE THE PROBLEM CORRECTED BY A QUALIFIED SERVICE REPRESENTATIVE BEFORE USING.

WARNING: (FOR PERMANENTLY CONNECTED UNITS) A GREEN COLORED TERMINAL (OR A WIRE CONNECTOR MARKED "G", "GR", "GROUND", OR "GROUNDING") IS PROVIDED WITHIN THE TERMINAL COMPARTMENT. TO REDUCE THE RISK OF ELECTRIC SHOCK, CONNECT THE TERMINAL OR CONNECTOR TO THE GROUNDING TERMINAL OF YOUR ELECTRIC SERVICE OR SUPPLY PANEL WITH A CONDUCTOR EQUIVALENT IN SIZE TO THE CIRCUIT CONDUCTORS SUPPLYING THIS EQUIPMENT.

OPERATING INSTRUCTIONS

WARNING — PROLONGED IMMERSION IN HOT WATER MAY INDUCE HYPERTHERMIA. HYPERTHERMIA OCCURS WHEN THE INTERNAL TEMPERATURE OF THE BODY REACHES A LEVEL SEVERAL DEGREES ABOVE THE NORMAL BODY TEMPERATURE OF 98.6°F. THE SYMPTOMS OF HYPERTHERMIA INCLUDE AN INCREASE IN THE INTERNAL TEMPERATURE OF THE BODY, DIZZINESS, LETHARGY, DROWSINESS AND FAINTING. THE EFFECTS OF HYPERTHERMIA INCLUDE:

- A) FAILURE TO PERCEIVE HEAT
- B) FAILURE TO RECOGNIZE THE NEED TO EXIT THE SPA OR HOT TUB,
- C) UNAWARENESS OF IMPENDING HAZARD,
- D) FETAL DAMAGE IN PREGNANT WOMEN,
- E) PHYSICAL INABILITY TO EXIT THE SPA OR HOT TUB, AND
- F) UNCONSCIOUSNESS RESULTING IN DANGER OF DROWNING.

WARNING — THE USE OF ALCOHOL, DRUGS OR MEDICATION CAN GREATLY INCREASE THE RISK OF FATAL HYPERTHERMIA.

WARNING — DO NOT TAMPER WITH USER-OPERATED CONTROLS OR SUCH DEVICES.



INSTALLATION INSTRUCTIONS

WARNING — WHEN USING THIS UNIT, BASIC PRECAUTIONS SHOULD ALWAYS BE FOLLOWED, INCLUDING THE FOLLOWING:

DANGER — RISK OF ELECTRIC SHOCK. CONNECT ONLY TO A CIRCUIT PROTECTED BY A GROUND FAULT CIRCUIT INTERRUPTER (GFCI).

 **CAUTION** — TEST THE GROUND FAULT CIRCUIT INTERRUPTER PROTECTING THIS APPLIANCE PERIODICALLY IN ACCORDANCE WITH MANUFACTURER'S INSTRUCTIONS.

WARNING — USE THIS UNIT ONLY FOR ITS INTENDED USE AS DESCRIBED IN THIS MANUAL. DO NOT USE ATTACHMENTS NOT RECOMMENDED BY THE MANUFACTURERS.

WARNING — TO AVOID INJURY, EXERCISE CAUTION WHEN ENTERING OR EXITING THE HYDROMASSAGE BATHTUB.

WARNING — KEEP BODY AND HAIR A MINIMUM OF 6" AWAY FROM SUCTION FITTING AT ALL TIMES WHEN THE HYDROMASSAGE SYSTEM IS OPERATING. HAIR LONGER THAN SHOULDER LENGTH SHOULD BE SECURED CLOSE TO THE HEAD.

WARNING — RISK OF ELECTRICAL SHOCK; DO NOT PERMIT ELECTRICAL APPLIANCES (SUCH AS HAIR DRYER, LAMP, TELEPHONE, RADIO OR TELEVISION) WITHIN 60" (1.5 M) OF THIS HYDROMASSAGE BATHTUB.

WARNING — RISK OF ACCIDENTAL INJURY OR DROWNING; DO NOT USE DRUGS OR ALCOHOL BEFORE OR DURING THE USE OF HYDROMASSAGE BATHTUB EQUIPPED WITH A HEATER TO AVOID UNCONSCIOUSNESS AND POSSIBLE DROWNING.

WARNING — RISK OF FETAL INJURY; PREGNANT OR POSSIBLY PREGNANT WOMEN SHOULD CONSULT A PHYSICIAN BEFORE USING A HYDROMASSAGE BATHTUB EQUIPPED WITH A HEATER.

WARNING — RISK OF HYPERTHERMIA AND POSSIBLE DROWNING; DO NOT USE A HYDROMASSAGE BATHTUB EQUIPPED WITH A HEATER IMMEDIATELY FOLLOWING STRENUOUS EXERCISE.

WARNING — RISK OF HYPERTHERMIA AND POSSIBLE DROWNING; WATER TEMPERATURE IN EXCESS OF 104°F (40°C) MAY BE INJURIOUS TO YOUR HEALTH. CHECK AND ADJUST WATER TEMPERATURE BEFORE USE.

WARNING — RISK OF HYPERTHERMIA; PEOPLE USING MEDICATIONS AND/OR HAVING AN ADVERSE MEDICAL HISTORY SHOULD CONSULT A PHYSICIAN BEFORE USING A HYDROMASSAGE BATHTUB EQUIPPED WITH A HEATER.

FOR BUILT-IN AND DROP-IN UNITS, INSTALL TO PERMIT ACCESS FOR SERVICING.

THIS UNIT SHOULD BE ELECTRICALLY GROUNDED AND INSTALLED BY A LICENSED CONTRACTOR, ELECTRICIAN, AND PLUMBER.

BUILDING MATERIALS AND WIRING SHOULD BE ROUTED AWAY FROM THE MOTOR/PUMP OR BLOWER OR OTHER HEAT PRODUCING COMPONENTS OF THIS UNIT.

A PRESSURE WIRE CONNECTOR IS PROVIDED ON THE EXTERIOR OF THE MOTOR/PUMP AND HEATER TO PERMIT CONNECTION OF AN NO. 8 AWG (8.4 MM) SOLID COPPER BONDING CONDUCTOR BETWEEN THIS UNIT AND ALL OTHER ELECTRIC EQUIPMENT AND EXPOSED METAL IN THE VICINITY, AS NEEDED TO COMPLY WITH LOCAL REQUIREMENTS.

PRECAUTIONS

- Do not operate the hydromassage system unless the bath is filled with water to at least 1" above the highest jet.
- Do not immerse the control panel by overfilling the bath.
- Do not use oil-based bath additives in your hydromassage bath.
- When cleaning your bath, do not use abrasive substances which will damage the bath's surface.
- To prevent discoloration of the acrylic finish, do not fill the bath with water in excess of 140°F (60°C).

NOTE: This is a professional grade product. A knowledge of construction techniques, plumbing and electrical installation according to codes are required for proper installation and user satisfaction. We recommend that a licensed contractor perform the installation of all Jacuzzi Whirlpool Bath® products. Our warranty does not cover improper installation related problems.

PRODUCT SPECIFICATIONS ARE SUBJECT TO CHANGE WITHOUT NOTICE.

USE INSTALLATION INSTRUCTIONS SUPPLIED WITH PRODUCT.

The Company has obtained applicable code (standards) listings generally available on a national basis for products of this type. It is the responsibility of the installer/owner to determine specific local code compliance prior to installation of the product. The Company makes no representation or warranty regarding, and will not be responsible for any code compliance.



CONTENTS

Specifications _____	1-5
Roughing-in Reference _____	6-11
Installation Instructions _____	12-18
Framing and Support _____	12
Skirts _____	13
Service Access _____	14
Electrical Connections _____	15
Plumbing and Water Supply _____	16
UnderMount Installation Instructions _____	17-18
Operation _____	19-20
Maintenance _____	21
General Troubleshooting Guide _____	22
Repair Parts _____	23-28
Authorized Service _____	30
Warranty _____	31-32

Save These Instructions for Future Use.

<i>Owner's Record</i>	
Date Purchased _____	_____
Purchased From _____	_____
Installed By _____	_____
Serial Number _____	_____
Model _____	_____

NOTE: To obtain a referral for a service agent in your area call 800-288-4002 . You may also visit our web site at <http://www.jacuzzi.com/>. To find the service agent listing, click on For The Trade. Then click on Repair Services in the left hand box. Depending on the problem, click on Electrical/Mechanical Repairs or Finish, Surface or Shell-Related Problems or Repair Parts or Accessories for a listing of authorized agents, contractors, or distributors.

SPECIFICATIONS

Important: Read complete instructions before beginning installation.

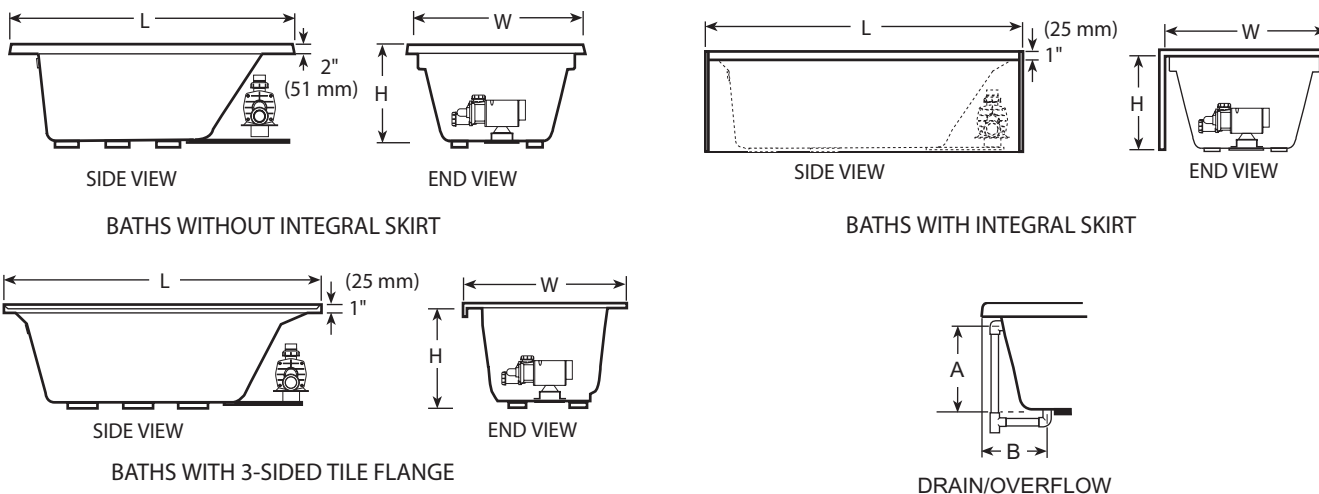
Each whirlpool bath arrives ready for installation, completely equipped with motor/pump assembly and plumbing and fittings necessary for whirlpool operation. An optional drain/overflow kit is available for installation on the bath.

Remove the bath from the carton. Retain the shipping carton until satisfactory inspection of the product has been made. **Do not lift the bath by the plumbing at any time; handle by the shell only.**

Immediately upon receipt, inspect the shell before installing. Should inspection reveal any damage or defect in the finish, do not install the bath. Damage or defect to the finish claimed after the bath is installed is excluded from the warranty. Jacuzzi Whirlpool Bath's responsibility for shipping damage ceases upon delivery of the products in good order to the carrier. Refer any claims for damage to the carrier. For definitions of warranty coverage and limitations, refer to the published warranty information packed with the product.

All bath units are factory tested for proper operation and watertight connections prior to shipping. **Note: Prior to installation, the bath must be filled with water and operated to check for leaks that may have resulted from shipping damage or mishandling.** Jacuzzi Whirlpool Bath is not responsible for any defect that could have been discovered, repaired, or avoided by following this inspection and testing procedure.

RECTANGULAR BATHS



SPECIFICATIONS (Rectangular)

MODEL	DIMENSIONS	DRAIN/OVERFLOW DIMENSIONS	CUTOUT	TOTAL WEIGHT/ FLOOR LOADING	OPERATING GALLONAGE	PRODUCT WEIGHT	SKIRT & MOUNTING	HEATER READY FOR FIELD INSTALLATION
AMIGA™	72" (1829 mm) L* 36" (914 mm) W 20-3/4" (533 mm) H	16-7/8" (429 mm) A 14" (356 mm) B	70" x 34"	772 lb (351 kg)/ 43 lb/sq. ft. (210 kg/sq. m)	50 U.S. gal (186 liters)	105 lb (48 kg)	Optional, U-Frame	Yes (S750000 HEATER KIT)
AMIGA™ WITH INTEGRAL SKIRT	72" (1829 mm) L* 36" (914 mm) W 20-3/4" (533 mm) H	16-7/8" (429 mm) A 14" (356 mm) B	NA	796 lb (362 kg)/ 44 lb/sq. ft. (214 kg/sq. m)	50 U.S. gal (186 liters)	129 lb (59 kg)	Integral	Yes (S750000 HEATER KIT)
BIANCA®	72" (1829 mm) L* 48" (1219 mm) W 20-1/2" (521 mm) H	16" (406 mm) A 8-1/2" (216 mm) B	70" x 46"	993 lb (451 kg)/ 41 lb/sq. ft. (200 kg/sq. m)	73 U.S. gal (276 liters)	135 lb (61 kg)	Optional, U-Frame	Yes (S750000 HEATER KIT)
CETRA® WITH INTEGRAL SKIRT	60" (1524 mm) L* 32" (813 mm) W 20-1/2" (521 mm) H	17-7/8" (454 mm) A 9-3/8" (238 mm) B	NA	727 lb (330 kg)/ 55 lb/sq. ft. (268 kg/sq. m)	46 U.S. gal (174 liters)	94 lb (43 kg)	Integral	Yes (S750000 HEATER KIT)
CETRA® 532	60" (1524 mm) L* 31-7/8" (791 mm) W 21-1/4" (553 mm) H	18-1/2" (470 mm) A 9" (229 mm) B	58" X 30-1/4"	697 lb (317 kg)/ 53 lb/sq. ft. (259 kg/sq. m)	43 U.S. gal (163 liters)	89 lb (41 kg)	Optional U-Frame	Yes (S750000 HEATER KIT)
CETRA® 536	60" (1524 mm) L* 36" (914 mm) W 21-1/4" (553 mm) H	18-1/2" (470 mm) A 9" (229 mm) B	58" X 34-1/4"	742 lb (337 kg)/ 50 lb/sq. ft. (244 kg/sq. m)	48 U.S. gal (181 liters)	92 lb (42 kg)	Optional U-Frame	Yes (S750000 HEATER KIT)

*Add 1/4" to this dimension when roughing-in for 3-wall niche.

NOTE: The overall dimensions are nominal with a tolerance of +0 and -1/4".

FOR ALL UNITS: Electrical Service Requirements: All require a dedicated GFCI protected separate circuit.

RapidHeat: 115 VAC, 15 AMP, 60 Hz. dedicated GFCI protected separate circuit.

Motor/Pump: 115 VAC, 15 Amp, 60 Hz. dedicated GFCI protected separate circuit.

SPECIFICATIONS (Rectangular)

MODEL	DIMENSIONS	DRAIN/OVERFLOW DIMENSIONS	CUTOOUT	TOTAL WEIGHT/FLOOR LOADING	OPERATING GALLONAGE	PRODUCT WEIGHT	SKIRT & MOUNTING	HEATER READY FOR FIELD INSTALLATION
CETRA® 536 WITH INTEGRAL SKIRT	60" (1524 mm) L* 36" (914 mm) W 21-1/4" (553 mm) H	18-1/2" (470 mm) A 9" (229 mm) B	NA	742 lb (337 kg)/ 50 lb/sq. ft. (244 kg/sq. m)	48 U.S. gal (181 liters)	92 lb (42 kg)	Integral	Yes (S750000 HEATER KIT)
LUXURA™ 5	60" (1524 mm) L* 32" (813 mm) W 20-1/4" (514 mm) H	15-1/4" (387 mm) A 8-1/4" (210 mm) B	NA Molded-in Tile Flange	697 lb (316 kg)/ 52 lb/sq. ft. (254 kg/sq. m)	44 U.S. gal (167 liters)	80 lb (36kg)	Optional, U-Frame	Yes (S750000 HEATER KIT)
LUXURA™ 5 WITH INTEGRAL SKIRT	60" (1524 mm) L 32" (813 mm) W 20-1/4" (514 mm) H	15-1/4" (387 mm) A 8-1/4" (210 mm) B	NA	700 lb (316 kg)/ 53 lb/sq. ft. (259 kg/sq. m)	42 U.S. gal (159 liters)	100 lb (45 kg)	Integral	Yes (S750000 HEATER KIT)
LUXURA™ 5.5	66" (1676 mm) L* 34" (864 mm) W 20" (508 mm) H	15-1/4" (387 mm) A 8-3/8" (213 mm) B	64" x 32"	823 lb (374 kg)/ 53 lb/sq. ft. (259 kg/sq. m)	58 U.S. gal (220 liters)	90 lb (41 kg)	Optional, U-Frame	Yes (S750000 HEATER KIT)
LUXURA™ 530 WITH INTEGRAL SKIRT	60" (1524 mm) L* 30" (762 mm) W 20-1/4" (483 mm) H	16-3/4" (425 mm) A 9-1/4" (235 mm) B	NA	662 lb (301 kg)/ 53 lb/sq. ft. (259 kg/sq. m)	38 U.S. gal (144 liters)	95 lb (43 kg)	Integral	Yes (U395000 HEATER KIT)
MAJORA® 5	60" (1524 mm) L* 42" (1067 mm) W 19-1/2" (495 mm) H	15" (381 mm) A 8-3/4" (222 mm) B	58" x 40"	728 lb (331 kg)/ 42 lb/sq. ft. (205 kg/sq. m)	46 U.S. gal (172 liters)	95 lb (43 kg)	Not Available	Yes (S750000 HEATER KIT)
MAJORA® 6	72" (1829 mm) L* 42" (1067 mm) W 19-3/4" (502 mm) H	15-5/8" (397 mm) A 10-1/2" (267 mm) B	70" x 40"	937 lb (423 kg)/ 44 lb/sq. ft. (215 kg/sq. m)	70 U.S. gal (265 liters)	104 lb (47 kg)	Not Available	Yes (S750000 HEATER KIT)
MAJORA® 6 WITH INTEGRAL SKIRT	72" (1829 mm) L* 42" (1067 mm) W 19-3/4" (502 mm) H	15-5/8" (397 mm) A 10-1/2" (267 mm) B	NA	947 lb (430 kg)/ 45 lb/sq. ft. (220 kg/sq. m)	70 U.S. gal (265 liters)	114 lb (52 kg)	Integral	Yes (S750000 HEATER KIT)
MITO® 5	60" (1524 mm) L* 42" (1067 mm) W 21" (533 mm) H	17-1/2" (445 mm) A 11-7/8" (302 mm) B	58" x 40"	866 lb (394 kg)/ 50 lb/sq. ft. (244 kg/sq. m)	62 U.S. gal (235 liters)	100 lb (45 kg)	Optional, U-Frame	Yes (S750000 HEATER KIT)
MITO® 6	72" (1829 mm) L* 42" (1067 mm) W 21-1/2" (546 mm) H	17-1/2" (445 mm) A 11-7/8" (302 mm) B	70" x 40"	993 lb (451 kg)/ 47 lb/sq. ft. (229 kg/sq. m)	76 U.S. gal (288 liters)	110 lb (50 kg)	Not Available	Yes (S750000 HEATER KIT)
NOVA® 5	60" (1524 mm) L* 42" (1067 mm) W 18-1/2" (470 mm) H	14-3/4" (375 mm) A 8-1/2" (216 mm) B	58" x 40"	722 lb (328 kg)/ 41 lb/sq. ft. (200 kg/sq. m)	45 U.S. gal (170 liters)	97 lb (44 kg)	Optional, U-Frame	Yes (S750000 HEATER KIT)

*Add 1/4" to this dimension when roughing-in for 3-wall niche.

NOTE: The overall dimensions are nominal with a tolerance of +0 and -1/4".

FOR ALL UNITS: Electrical Service Requirements: All require a dedicated GFCI protected separate circuit.

RapidHeat: 115 VAC, 15 AMP, 60 Hz. dedicated GFCI protected separate circuit.

Motor/Pump: 115 VAC, 15 Amp, 60 Hz. dedicated GFCI protected separate circuit.

SPECIFICATIONS (Rectangular)

MODEL	DIMENSIONS	DRAIN/OVERFLOW DIMENSIONS	CUTOUT	TOTAL WEIGHT/ FLOOR LOADING	OPERATING GALLONAGE	PRODUCT WEIGHT	SKIRT & MOUNTING	HEATER READY FOR FIELD INSTALLATION
NOVA® 5 WITH INTEGRAL 3-SIDED TILE FLANGE	60" (1524 mm) L* 42" (1067 mm) W 18-1/2" (470 mm) H	14-3/4" (375 mm) A 8-1/2" (216 mm) B	NA	722 lb (328 kg)/ 41 lb/sq. ft. (200 kg/sq. m)	45 U.S. gal (170 liters)	97 lb (44 kg)	Not Available	Yes (S750000 HEATER KIT)
NOVA® 5 WITH INTEGRAL SKIRT	60" (1524 mm) L* 42" (1067 mm) W 18-1/2" (470 mm) H	15-7/8" (403 mm) A 9-1/4" (235 mm) B	NA	737 lb (335 kg)/ 42 lb/sq. ft. (205 kg/sq. m)	45 U.S. gal (170 liters)	112 lb (51 kg)	Integral	No
NOVA® 6	72" (1829 mm) L* 42" (1067 mm) W 20-1/2" (521 mm) H	14-3/4" (375 mm) A 8-1/2" (216 mm) B	70" x 40"	876 lb (398 kg)/ 42 lb/sq. ft. (205 kg/sq. m)	62 U.S. gal (235 liters)	110 lb (50 kg)	Optional, U-Frame	Yes (S750000 HEATER KIT)
NOVA® 536	60" (1524 mm) L* 36" (914 mm) W 19-1/4" (489 mm) H	15-1/8" (384 mm) A 9" (229 mm) B	58" x 34"	683 lb (310 kg)/ 46 lb/sq. ft. (224 kg/sq. m)	42 U.S. gal (159 liters)	83 lb (38 kg)	Not Available	No
NOVA® 536 WITH INTEGRAL SKIRT	60" (1524 mm) L* 36" (914 mm) W 19-1/4" (489 mm) H	14-5/8" (372 mm) A 9" (229 mm) B	NA	698 lb (317 kg)/ 47 lb/sq. ft. (229 kg/sq. m)	42 U.S. gal (159 liters)	98 lb (45 kg)	Integral	No
NOVA® 636 WITH INTEGRAL SKIRT	72" (1829 mm) L* 36" (914 mm) W 19" (483 mm) H	14-5/8" (372 mm) A 9-3/8" (238 mm) B	NA	824 lb (375 kg)/ 47 lb/sq. ft. (229 kg/sq. m)	56 U.S. gal (223 liters)	108 lb (49 kg)	Integral	Yes (S750000 HEATER KIT)
SIGNA® 5	60" (1524 mm) L* 42" (1067 mm) W 22" (559 mm) H	17-1/2" (445 mm) A 12-1/2" (318 mm) B	58" x 40"	708 lb (321 kg)/ 40 lb/sq. ft. (195 kg/sq. m)	42 U.S. gal (159 liters)	108 lb (49 kg)	Optional, U-Frame	Yes (S750000 HEATER KIT)
SIGNA® 5 WITH INTEGRAL SKIRT, FRONT RIGHT MOTOR/PUMP	60" (1524 mm) L* 42" (1067 mm) W 22" (559 mm) H	17-7/8" (451 mm) A 12-3/4" (330 mm) B	NA	723 lb (329 kg)/ 41 lb/sq. ft. (200 kg/sq. m)	42 U.S. gal (159 liters)	126 lb (56 kg)	Integral	Yes (U395000 HEATER KIT)
SIGNA® 5 WITH INTEGRAL 3-SIDED TILE FLANGE	60" (1524 mm) L* 42" (1067 mm) W 22" (559 mm) H	17-1/2" (445 mm) A 12-1/2" (318 mm) B	NA	708 lb (321 kg)/ 40 lb/sq. ft. (195 kg/sq. m)	42 U.S. gal (159 liters)	108 lb (49 kg)	Optional, U-Frame	Yes (S750000 HEATER KIT)
SIGNA® 6	72" (1829 mm) L* 42" (1067 mm) W 22" (559 mm) H	16-7/8" (429 mm) A 14" (356 mm) B	70" x 40"	826 lb (375 kg)/ 39 lb/sq. ft. (190 kg/sq. m)	55 U.S. gal (208 liters)	118 lb (54 kg)	Not Available	Yes (S750000 HEATER KIT)

*Add 1/4" to this dimension when roughing-in for 3-wall niche.

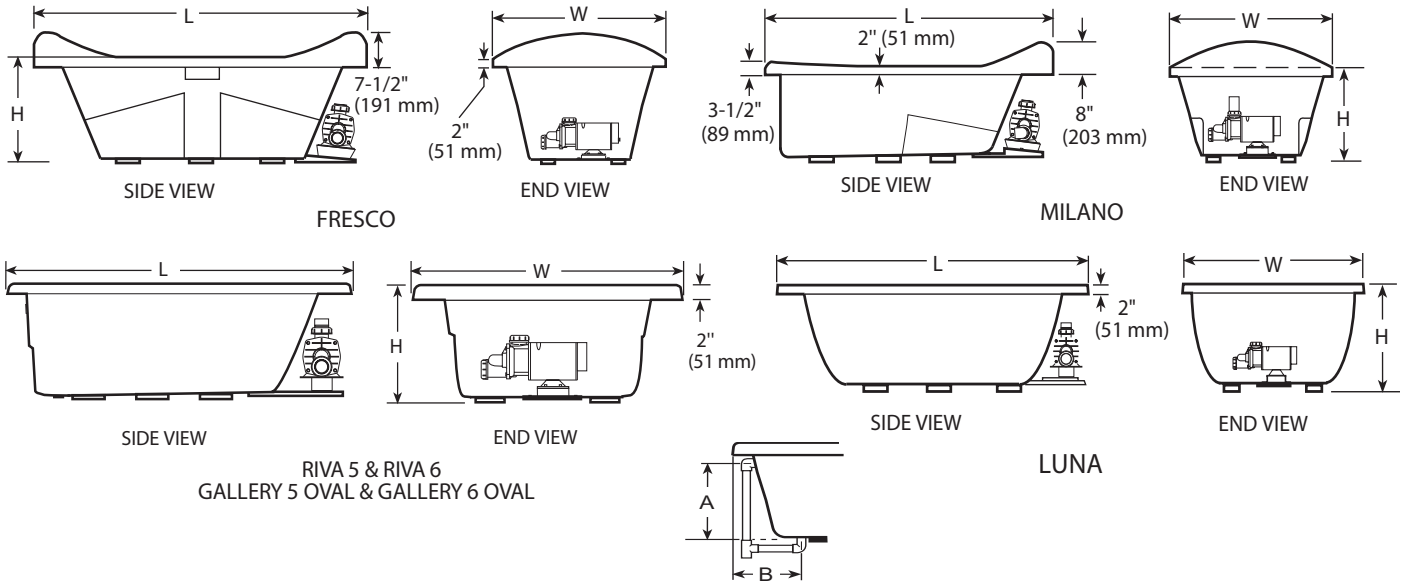
NOTE: The overall dimensions are nominal with a tolerance of +0 and -1/4".

FOR ALL UNITS: Electrical Service Requirements: All require a dedicated GFCI protected separate circuit.

RapidHeat: 115 VAC, 15 AMP, 60 Hz. dedicated GFCI protected separate circuit.

Motor/Pump: 115 VAC, 15 Amp, 60 Hz. dedicated GFCI protected separate circuit.

RIMLESS OVAL BATHS



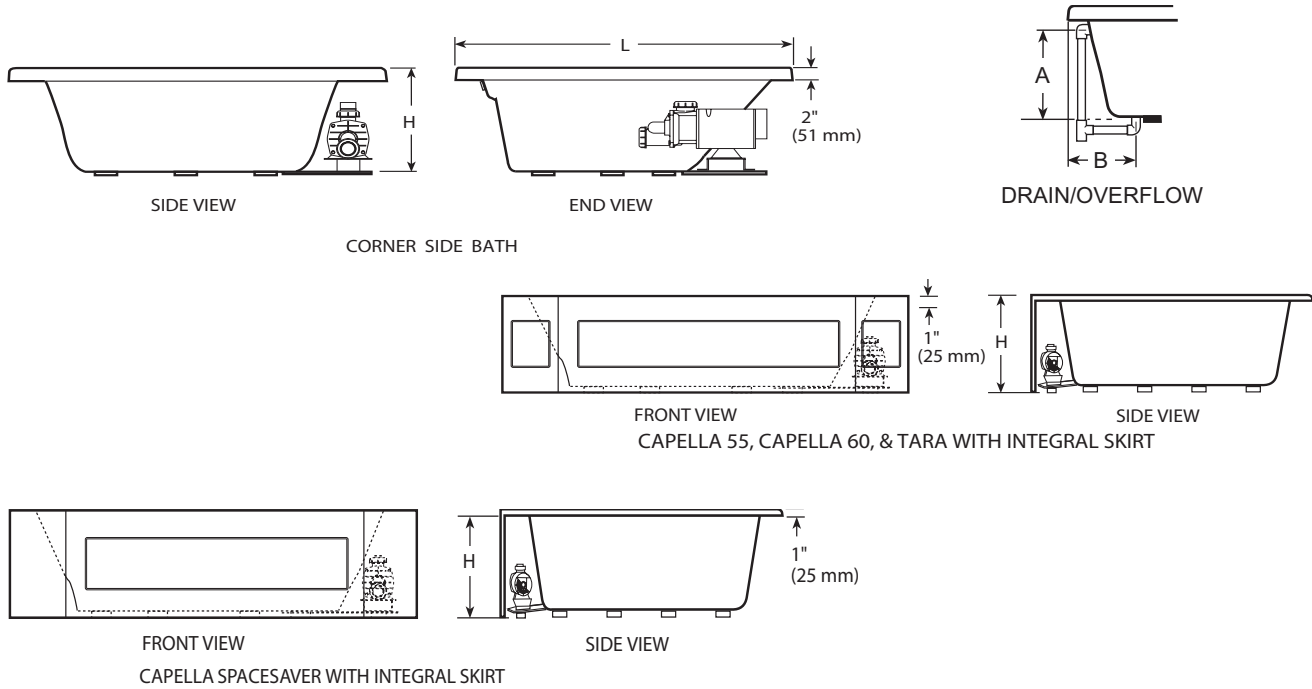
SPECIFICATIONS (Oval)

MODEL	DIMENSIONS	DRAIN/OVERFLOW DIMENSIONS	CUTOUT	TOTAL WEIGHT/ FLOOR LOADING	OPERATING GALLONAGE	PRODUCT WEIGHT	SKIRT & MOUNTING	HEATER READY FOR FIELD INSTALLATION
FRESCO[®]	71-1/2" (1816 mm) L 42" (1067 mm) W 26-1/4" (603 mm) H*	20-1/8" (511 mm) A 11-3/4" (299 mm) B	Template Provided P/N P188000	921 lb (419 kg)/ 44 lb/sq. ft. (220 kg/sq. m)	63 U.S. gal (239 liters)	146 lb (66 kg)	Not Available	Yes (S750000 HEATER KIT)
GALLERY™ 5 OVAL	62" (1575 mm) L 43" (1092 mm) W 19" (483 mm) H	14-3/4" (375 mm) A 9-1/2" (241 mm) B	Template Provided P/N P186000	746 lb (339 kg)/ 40 lb/sq. ft. (195 kg/sq. m)	48 U.S. gal (182 liters)	96 lb (44 kg)	Not Available	Yes (S750000 HEATER KIT)
GALLERY™ 6 OVAL	72" (1829 mm) L 42" (1067 mm) W 20-1/2" (521 mm) H	16" (406 mm) A 11-1/2" (292 mm) B	Template Provided P/N P186000	871 lb (395 kg)/ 42 lb/sq. ft. (205 kg/sq. m)	62 U.S. gal (235 liters)	105 lb (48 kg)	Not Available	Yes (S750000 HEATER KIT)
GALLERY™ 6 OVAL UNDERMOUNT	72" (1829 mm) L 42" (1067 mm) W 20-1/2" (521 mm) H	16" (406 mm) A 11-1/2" (292 mm) B	Template Provided P/N P186000	871 lb (395 kg)/ 42 lb/sq. ft. (205 kg/sq. m)	62 U.S. gal (235 liters)	105 lb (48 kg)	Not Available	Yes (S750000 HEATER KIT)
LUNA™	72" (1829 mm) L 42" (1118 mm) W 23" (584 mm) H	19-1/8" (486 mm) A 11" (279 mm) B	Template Provided P/N P819000	1221 lb (555 kg)/ 58 lb/sq. ft. (283 kg/sq. m)	96 U.S. gal (364 liters)	121 lb (55 kg)	Not Available	Yes (S750000 HEATER KIT)
MILANO™	72" (1829 mm) L 40" (1016 mm) W 20-3/4" (527 mm) H	18-1/2" (470 mm) A 11" (279 mm) B	Template Provided P/N P188000	893 lb (406 kg)/ 45 lb/sq. ft. (220 kg/sq. m)	60 U.S. gal (227 liters)	143 lb (65 kg)	Not Available	Yes (S750000 HEATER KIT)
OPALIA™	72" (1829 mm) L 44" (1118 mm) W 22-1/4" (565 mm) H	18-3/4" (476 mm) A 12" (305 mm) B	Template Provided P/N P186000	978 lb (445 kg)/ 45 lb/sq. ft. (220 kg/sq. m)	70 U.S. gal (265 liters)	145 lb (66 kg)	Not Available	Yes (S750000 HEATER KIT)
RIVA[®] 5	62" (1575 mm) L 43" (1092 mm) W 19" (483 mm) H	14-3/4" (375 mm) A 9-1/2" (241 mm) B	Template Provided P/N P186000	746 lb (339 kg)/ 40 lb/sq. ft. (195 kg/sq. m)	48 U.S. gal (182 liters)	96 lb (44 kg)	Not Available	Yes (S750000 HEATER KIT)
RIVA[®] 6	72" (1829 mm) L 42" (1067 mm) W 20-1/2" (521 mm) H	16" (406 mm) A 11-1/2" (292 mm) B	Template Provided P/N P186000	871 lb (396 kg)/ 42 lb/sq. ft. (205 kg/sq. m)	62 U.S. gal (235 liters)	105 lb (48 kg)	Not Available	Yes (S750000 HEATER KIT)

* For Fresco™ models H551, H549, and H550 this height is 23-3/4"

NOTE: The overall dimensions are nominal with a tolerance of +0 and -1/4".
FOR ALL UNITS: Electrical Service Requirements: All require a dedicated GFCI protected separate circuit.
 RapidHeat: 115 VAC, 15 AMP, 60 Hz. dedicated GFCI protected separate circuit.
 Motor/Pump: 115 VAC, 15 Amp, 60 Hz. dedicated GFCI protected separate circuit.

CORNER BATHS



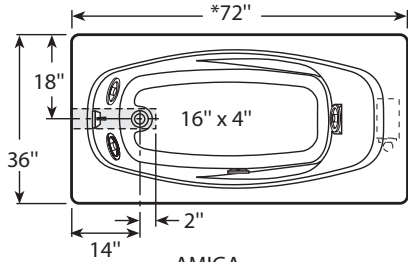
SPECIFICATIONS (Corner)

MODEL	DIMENSIONS	DRAIN/OVERFLOW DIMENSIONS	CUTOUT	TOTAL WEIGHT/ FLOOR LOADING	OPERATING GALLONAGE	PRODUCT WEIGHT	SKIRT & MOUNTING	HEATER READY FOR FIELD INSTALLATION
CAPELLA® 55	55" (1397 mm) L 55" (1397 mm) L 20-1/4" (514 mm) H	17-1/2" (445 mm) A 9-5/8" (245 mm) B	See Page 11	791 lb (360 kg)/ 38 lb/sq. ft. (185 kg/sq. m)	51 U.S. gal (193 liters)	116 lb (53 kg)	Optional	Yes (S750000 HEATER KIT)
CAPELLA® 55 WITH INTEGRAL SKIRT	55" (1397 mm) L 55" (1397 mm) L 20-1/2" (521 mm) H	18" (457 mm) A 12-1/8" (308 mm) B	NA	833 lb (379 kg)/ 40 lb/sq. ft. (195 kg/sq. m)	55 U.S. gal (208 liters)	125 lb (54 kg)	Integral	No
CAPELLA® SPACESAVER WITH INTEGRAL SKIRT	60" (1524 mm) L 60" (1524 mm) L 20-1/2" (521 mm) H	18" (457 mm) A 12-3/8" (308 mm) B	NA	880 lb (400 kg)/ 35 lb/sq. ft. (171 kg/sq. m)	60 U.S. gal (227 liters)	130 lb (59 kg)	Integral	No
CAPELLA® 60 FRONT LEFT MOTOR/PUMP	60" (1524 mm) L 60" (1524 mm) L 20-1/2" (521 mm) H	18" (457 mm) A 12-1/8" (308 mm) B	See Page 11	870 lb (395 kg)/ 35 lb/sq. ft. (171 kg/sq. m)	60 U.S. gal (227 liters)	120 lb (54 kg)	Not Available	No
CAPELLA® 60	60" (1524 mm) L 60" (1524 mm) L 20-1/2" (521 mm) H	18" (457 mm) A 12-1/8" (308 mm) B	See Page 11	870 lb (395 kg)/ 35 lb/sq. ft. (171 kg/sq. m)	60 U.S. gal (227 liters)	120 lb (54 kg)	Not Available	No
CAPELLA® 60 WITH INTEGRAL SKIRT	60" (1524 mm) L 60" (1524 mm) L 20-1/2" (521 mm) H	18" (457 mm) A 12-1/8" (308 mm) B	NA	880 lb (400 kg)/ 35 lb/sq. ft. (171 kg/sq. m)	60 U.S. gal (227 liters)	130 lb (59 kg)	Integral	No
GALLERY™ CORNER	60" (1524 mm) L 60" (1524 mm) L 22-1/2" (572 mm) H	18-1/8" (451 mm) A 12" (305 mm) B	See Page 11	984 lb (447 kg)/ 39 lb/sq. ft. (244 kg/sq. m)	74 U.S. gal (280 liters)	118 lb (54 kg)	Not Available	Yes (S750000 HEATER KIT)
TARA™	60" (1524 mm) L 60" (1524 mm) L 20-3/4" (527 mm) H	16" (406 mm) A 12-3/8" (314 mm) B	See Page 11	984 lb (447 kg)/ 39 lb/sq. ft. (190 kg/sq. m)	74 U.S. gal (280 liters)	118 lb (54 kg)	Optional	Yes (S750000 HEATER KIT)
TARA™ WITH INTEGRAL SKIRT	60" (1524 mm) L 60" (1524 mm) L 20-3/4" (527 mm) H	16" (406 mm) A 12-3/8" (314 mm) B	NA	999 lb (454 kg)/ 40 lb/sq. ft. (195 kg/sq. m)	74 U.S. gal (280 liters)	133 lb (61 kg)	Integral	No

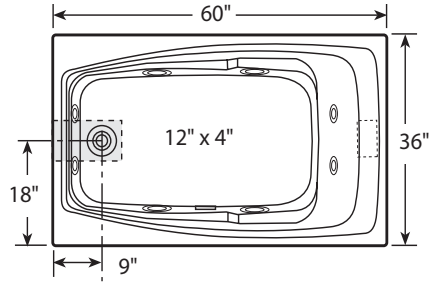
NOTE: The overall dimensions are nominal with a tolerance of +0 and -1/4".
FOR ALL UNITS: Electrical Service Requirements: All require a dedicated GFCI protected separate circuit.
 RapidHeat: 115 VAC, 15 AMP, 60 Hz. dedicated GFCI protected separate circuit.
 Motor/Pump: 115 VAC, 15 Amp, 60 Hz. dedicated GFCI protected separate circuit.

ROUGHING-IN REFERENCE (RECTANGULAR)

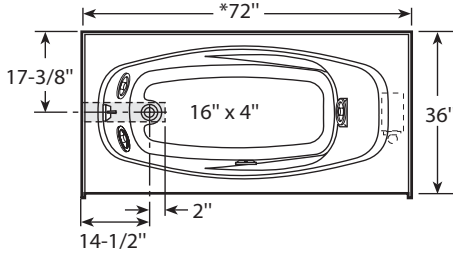
Note: Baths shown are left-hand unless otherwise specified. Right-hand is a mirror image.



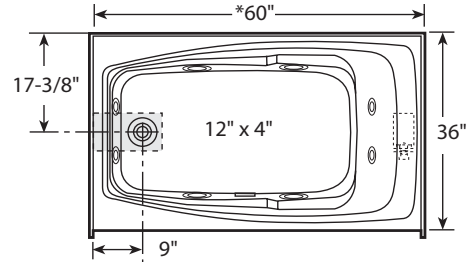
AMIGA



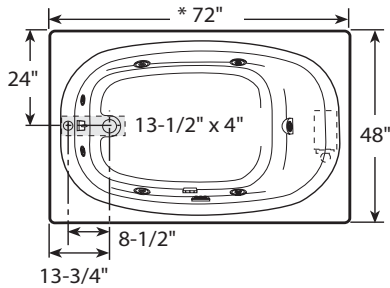
CETRA 536



AMIGA WITH INTEGRAL SKIRT

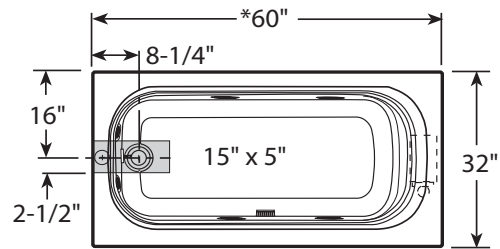


CETRA 536 WITH INTEGRAL SKIRT

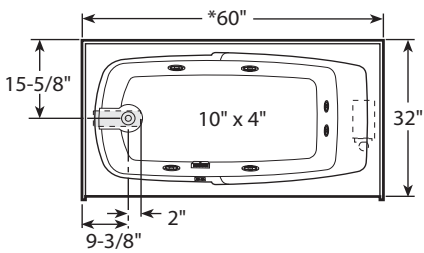


(Left-hand only as shown.)

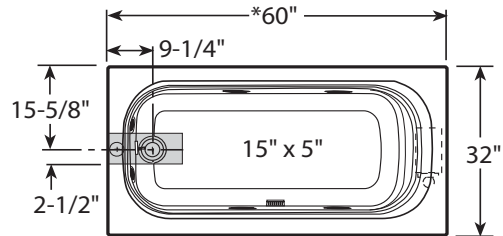
BIANCA



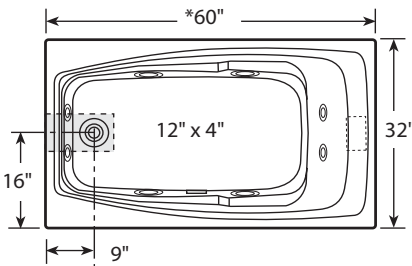
LUXURA 5



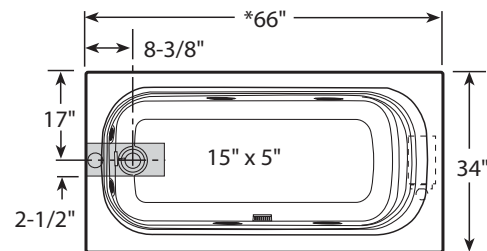
CETRA WITH INTEGRAL SKIRT



LUXURA 5 WITH INTEGRAL SKIRT



CETRA 532



LUXURA 5.5

*Add 1/4" to this dimension when roughing-in for 3-wall niche.

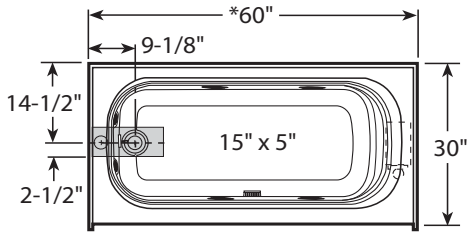
Note: 1. THE OVERALL DIMENSIONS ARE NOMINAL WITH A TOLERANCE OF +0 AND -1/4".

2. Measurements inside each unit represent cutout in floor to allow for drain/overflow.

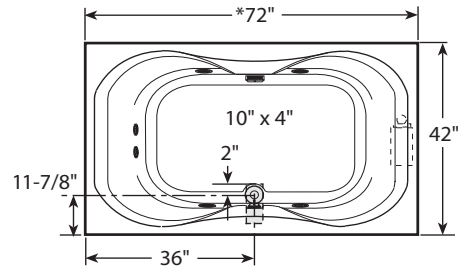
3. All measurements are in inches. To convert to millimeters, multiply inches by 25.4.

ROUGHING-IN REFERENCE (RECTANGULAR)

Note: Baths shown are left-hand unless otherwise specified. Right-hand is a mirror image.

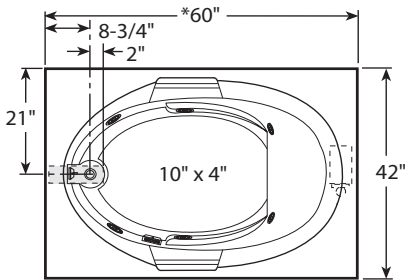


LUXURA 530 WITH INTEGRAL SKIRT

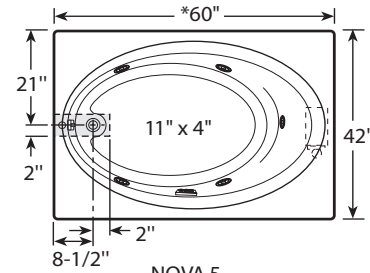


(Right hand shown.
Left hand is a mirror image.)

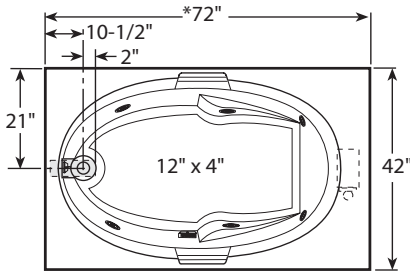
MITO 6



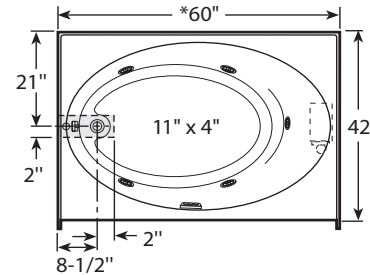
MAJORA 5



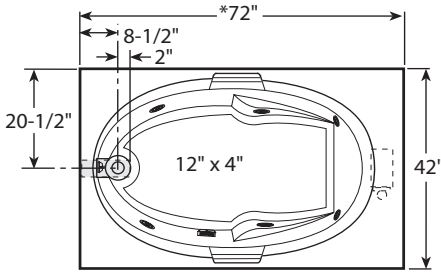
NOVA 6



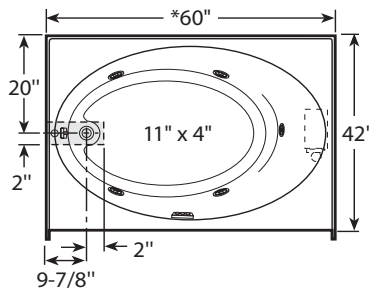
MAJORA 6



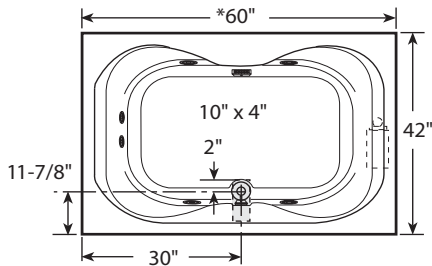
NOVA 5 WITH 3-SIDED TILE FLANGE



MAJORA 6 WITH INTEGRAL SKIRT

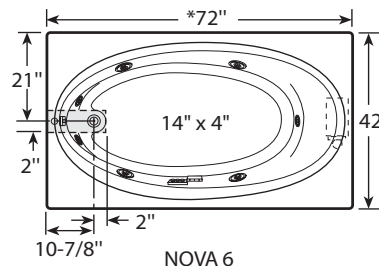


NOVA 5 WITH INTEGRAL SKIRT



(Right hand shown.
Left hand is a mirror image.)

MITO 5



NOVA 6

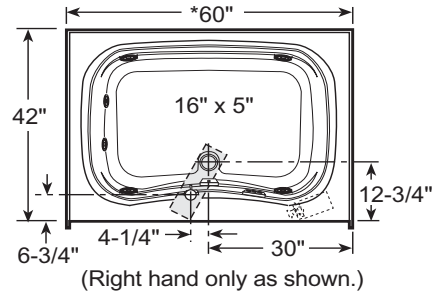
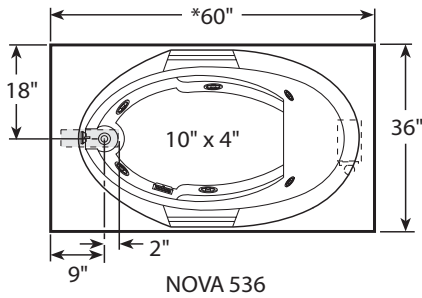
*Add 1/4" to this dimension when roughing-in for 3-wall niche.

Note: 1. THE OVERALL DIMENSIONS ARE NOMINAL WITH A TOLERANCE OF +0 AND -1/4".

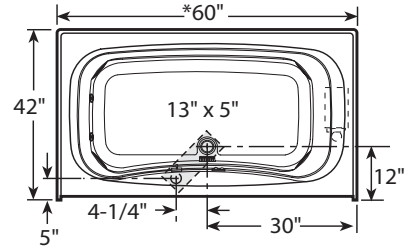
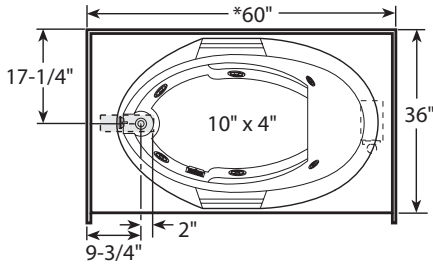
2. Measurements inside each unit represent cutout in floor to allow for drain/overflow.
3. All measurements are in inches. To convert to millimeters, multiply inches by 25.4.

ROUGHING-IN REFERENCE (RECTANGULAR)

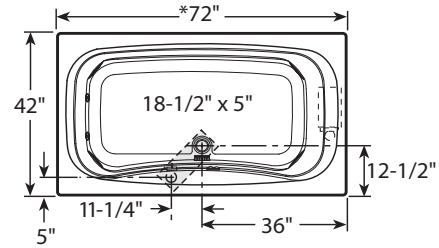
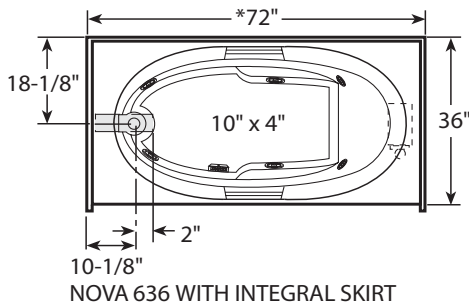
Note: Baths shown are left-hand unless otherwise specified. Right-hand is a mirror image.



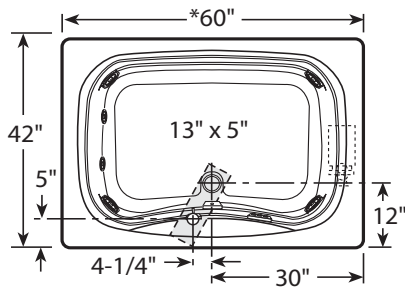
SIGNA 5 WITH INTEGRAL SKIRT
Front Right Motor/Pump



SIGNA 5 WITH 3-SIDED FLANGE



SIGNA 6



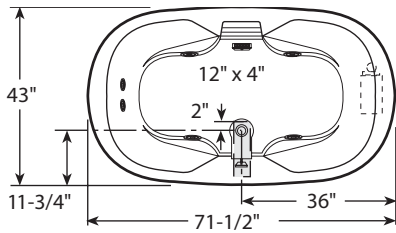
SIGNA 5

*Add 1/4" to this dimension when roughing-in for 3-wall niche.

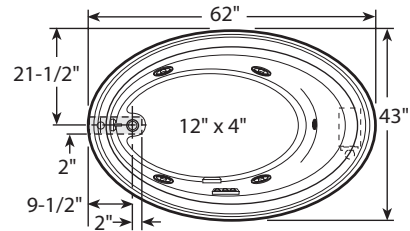
- Note:
1. THE OVERALL DIMENSIONS ARE NOMINAL WITH A TOLERANCE OF +0 AND -1/4".
 2. Measurements inside each unit represent cutout in floor to allow for drain/overflow.
 3. All measurements are in inches. To convert to millimeters, multiply inches by 25.4.

ROUGHING-IN REFERENCE (OVAL)

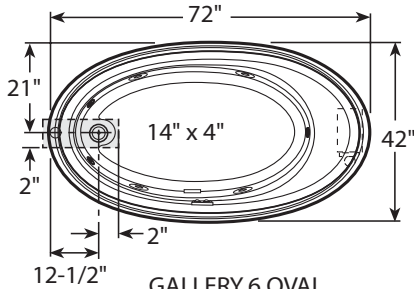
Note: Baths shown are left-hand unless otherwise specified. Right-hand is a mirror image.
These units have been provided with cutout templates included in shipping carton.
See CUTOUT information for each model on page 4.



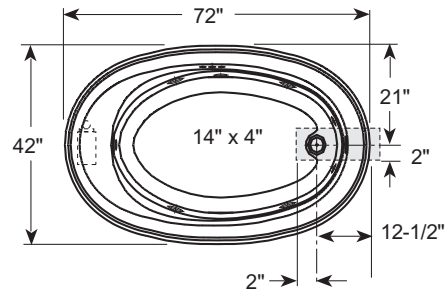
(Right hand shown.
 Left hand is a mirror image.)
FRESCO



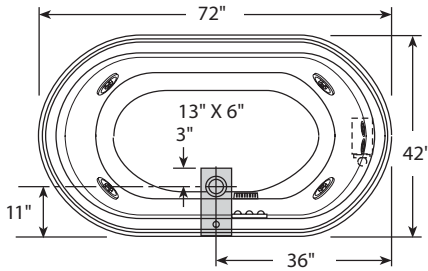
GALLERY 5 OVAL



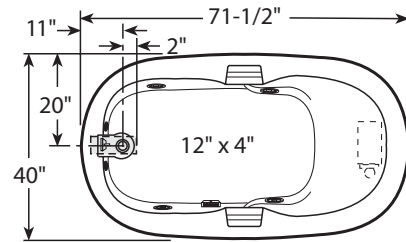
GALLERY 6 OVAL



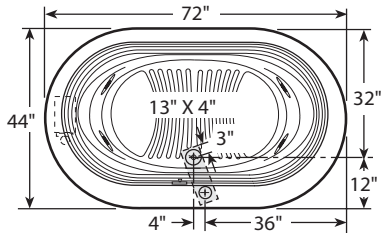
GALLERY 6 UNDERMOUNT



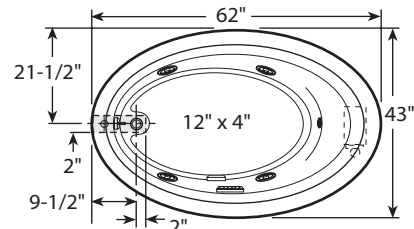
(Right-hand only.)
LUNA



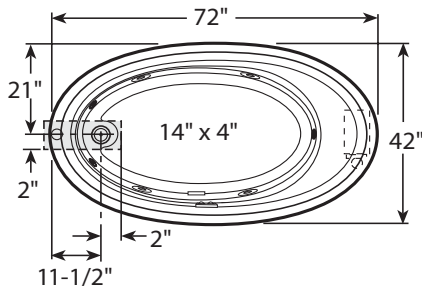
MILANO



(Left-hand unit shown.)
OPALIA



(Left-hand only as shown.)
RIVA 5

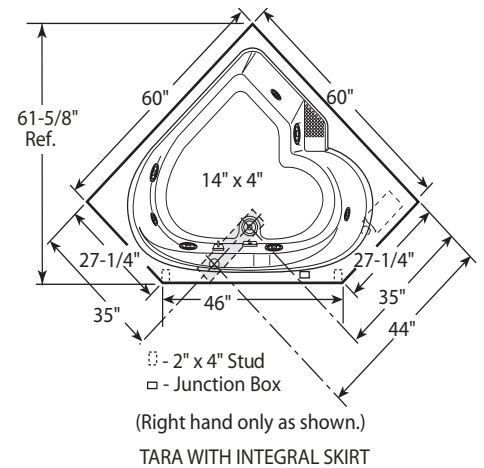
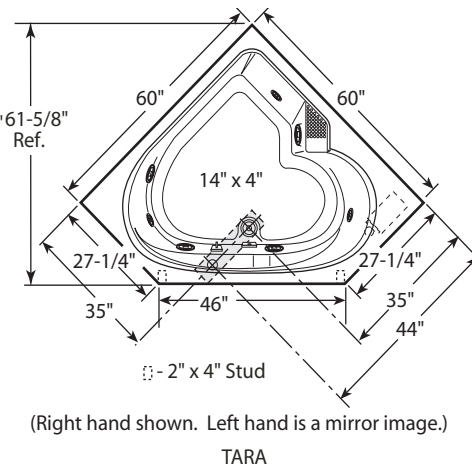
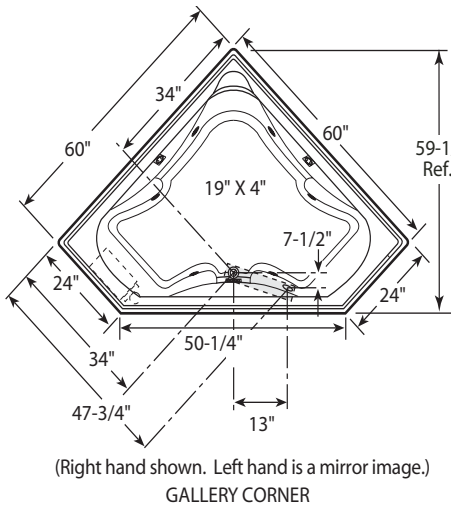
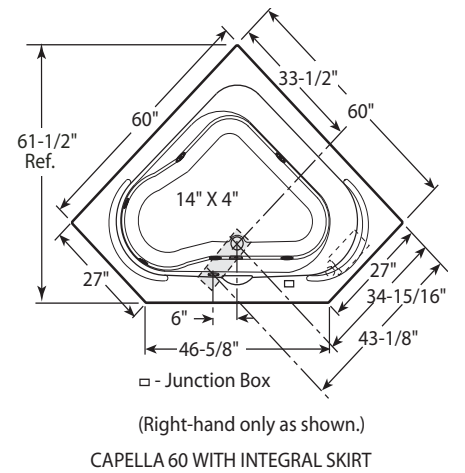
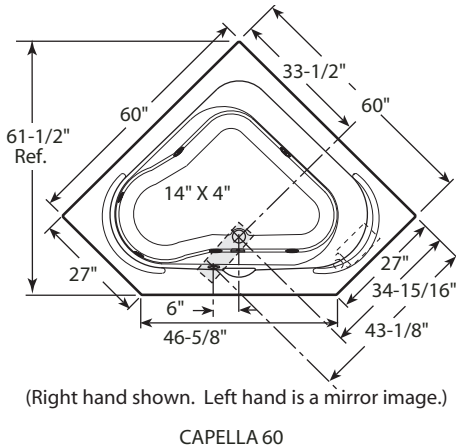
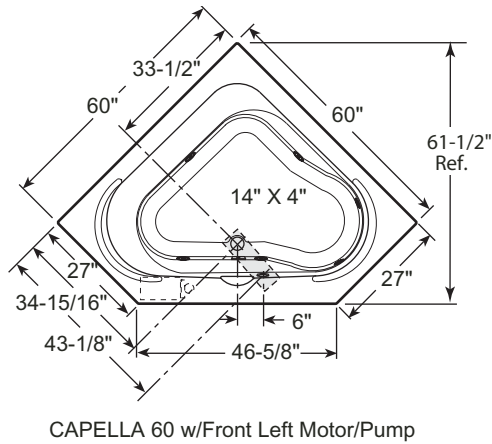
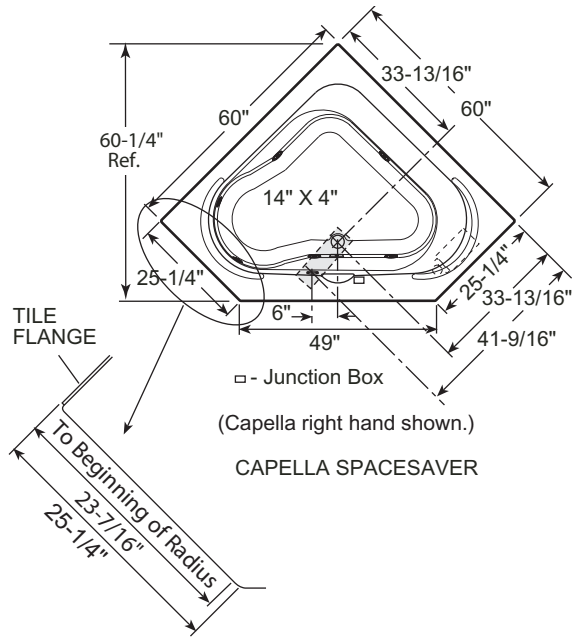
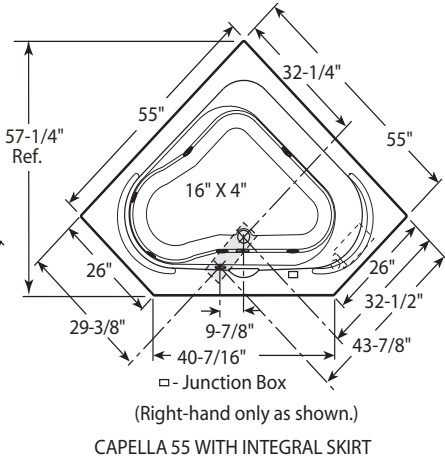
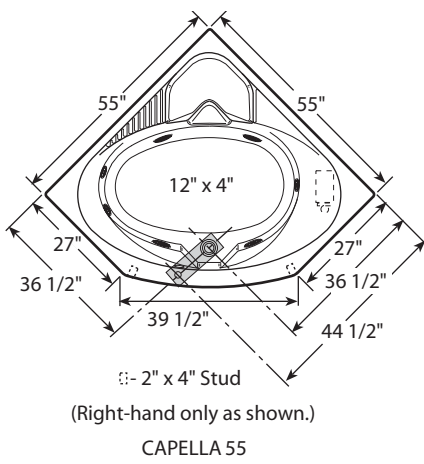


RIVA 6

NOTE: THE OVERALL DIMENSIONS ARE NOMINAL WITH A TOLERANCE OF +0 AND -1/4".

ROUGHING-IN REFERENCE (CORNER)

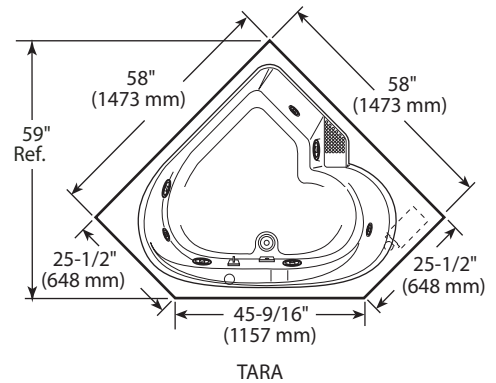
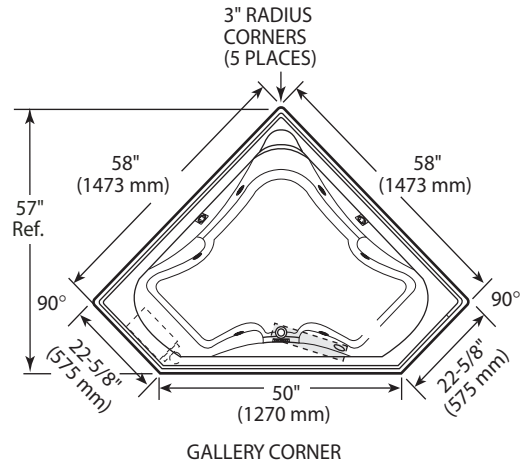
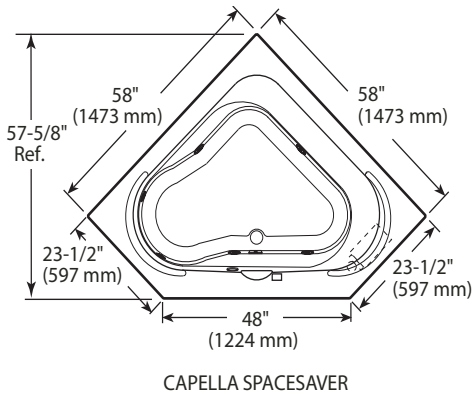
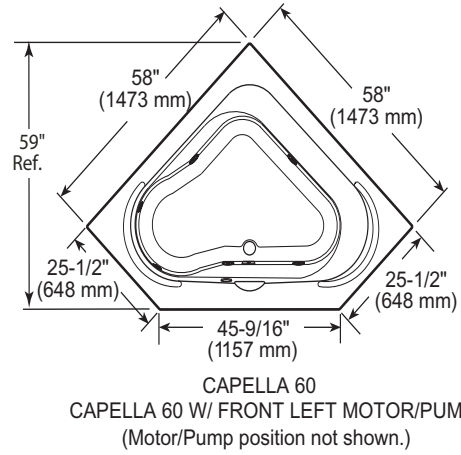
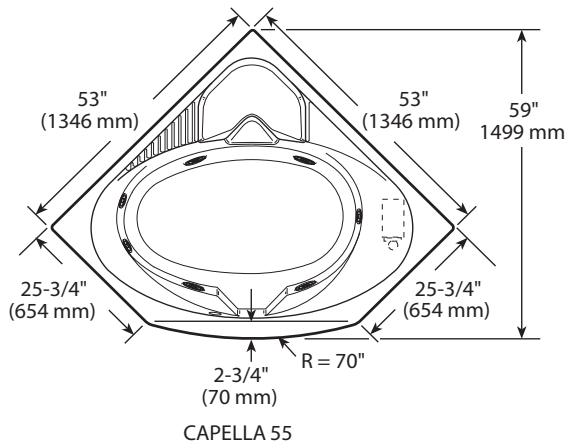
Note: Baths shown are left-hand unless otherwise specified. Right-hand is a mirror image.



Note: 1. THE OVERALL DIMENSIONS ARE NOMINAL WITH A TOLERANCE OF +0 AND -1/4".
2. Measurements inside each unit represent cutout in floor to allow for drain/overflow.
3. All measurements are in inches. To convert to millimeters, multiply inches by 25.4.

CUTOUT- CORNER BATHS

ENGLISH



Framing and Support

The drain/overflow of the bath extends below the bottom of the bath. Note that this requires a cutout in the floor.

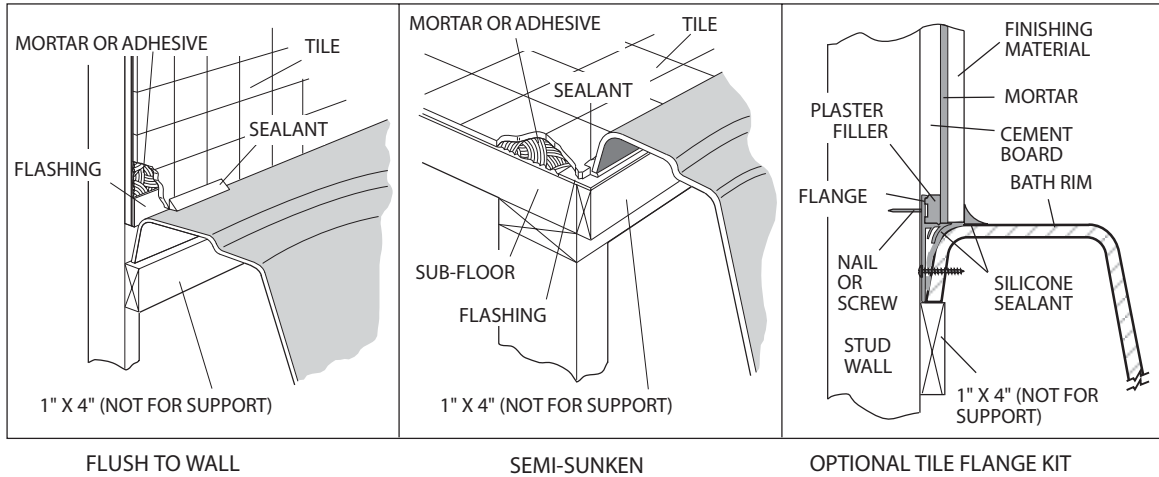
The floor structure beneath the bath must be able to support a total weight of bath, water, and bather. Refer to the table under total weight for your model. The unit must be supported from the bottom of the bath and **not** from the bath rim or tile flange. If the subfloor is level and a continuous surface, no other preparation is necessary. You can proceed to install the bath. If the subfloor is not level, you **MUST** level the entire surface prior to installing the bath. The use of materials that shim or provide a level installation are allowed provided the method used will insure a level bath that is supported from the bottom. Materials that may be used are a floor leveling compound, mortar, plaster or minimal expansion structural foam having a density of a minimum of 5 lbs./cubic ft.; however the bath must remain level in order for it to drain properly and all foam feet must make full contact with the leveling material. Both sides of a joint or splice of subfloor should be level to each other. **When attaching baths with flanges to stud wall, use shims to fill any gaps between the bath flange and studs.**

The rim of the bath is not designed to support weight. If finish material is to overlap or contact the bath, the added weight must be fully self-supporting.

The protective film liner inside the bath is used to prevent damage to the finish during installation. Before installation, remove liner to inspect for any defects, reapply and do not remove until final cleanup.

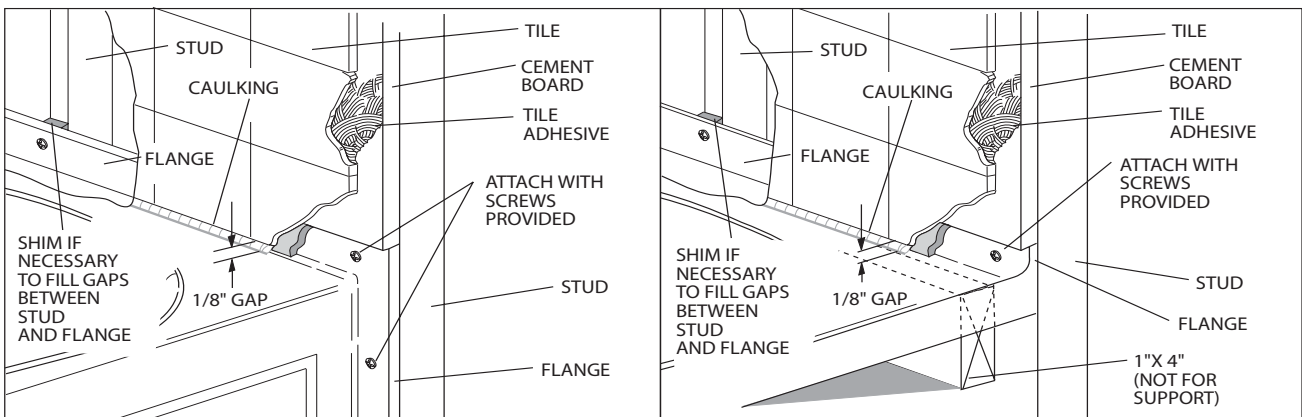
Important: If a skirt is to be used, it must be installed at the time of unit installation – refer to skirt installation instructions. Install optional trim parts when all installation has been completed.

TYPICAL INSTALLATIONS



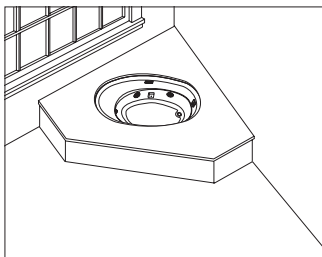
NOTE: ON the Riva 5 and Riva 6, the discharge plumbing extends slightly beyond the bath rim. When installing either bath as semi-sunken, lower the pump/motor side in first into the cutout.

TYPICAL FLANGE MOUNTING DETAIL

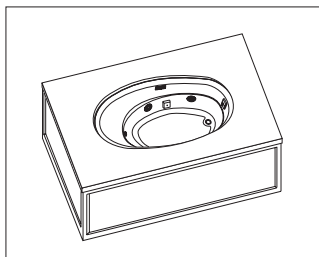


UNDERMOUNT INSTALLATION OPTIONS

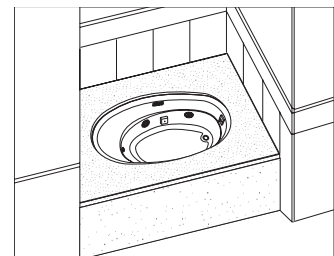
The undermount gives the opportunity to be flexible in the design and location of the bath. Examples are shown for possible installations. Refer to pages 17-18 for undermount installation instructions.



CORNER



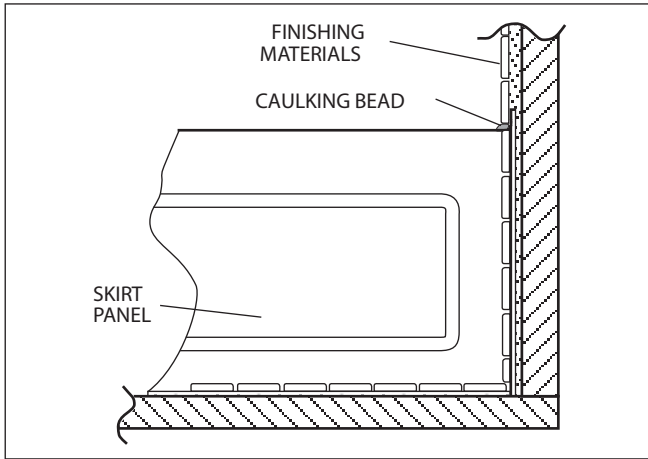
FREE STANDING



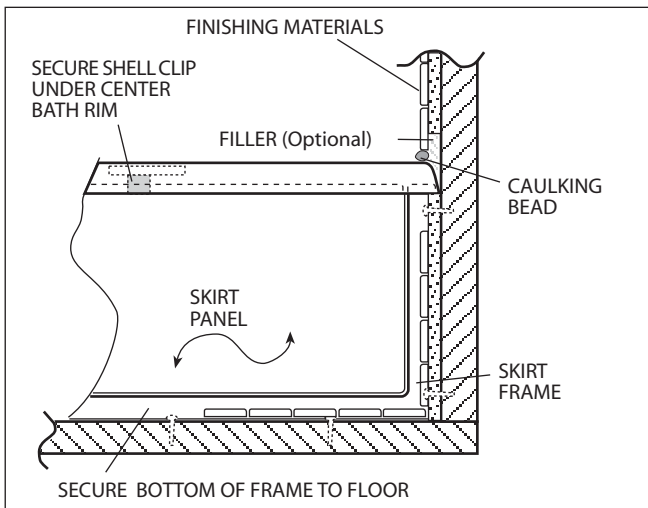
NICHE

Skirts

INTEGRAL SKIRT MOUNTING DETAIL



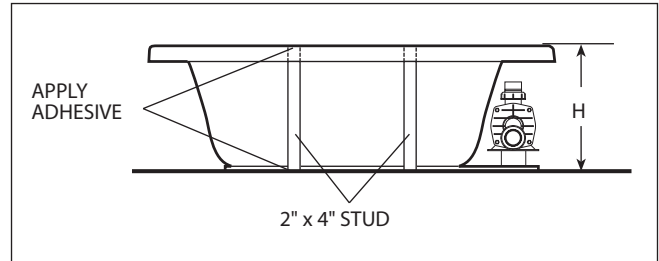
U FRAME SKIRT MOUNTING DETAIL



Corner Baths with Skirt

If an optional skirt is used on a corner bath, additional support is necessary in the front of the unit. Measure the height from the floor to the underside of the bath rim. Cut two 2" x 4" studs, apply adhesive to both ends and install (See Specifications in reference).

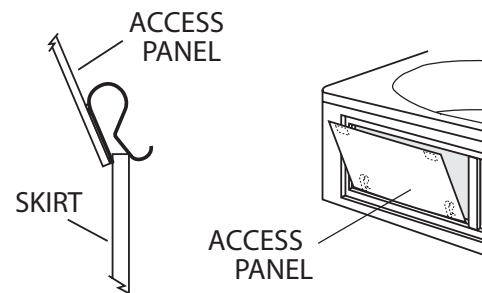
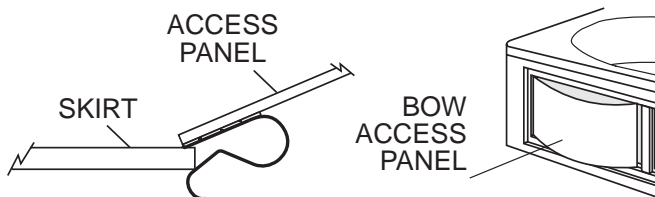
SUPPORT FOR CORNER BATHS



Reinstalling Removable Skirt Panel

Hold at an angle to the skirt and insert clip under edge of skirt opening. Bow the panel outward and insert clip on other side.

Or slide clips over bottom lip of skirt opening and tilt up until velcro tabs make contact.



Service Access

For partially or fully sunken installations, allow for access to service connections. It is the installer's responsibility to provide sufficient service access. The recommended minimum dimensions allowable for service to the bath are shown in the "Service Access" illustration.

Provide adequate area around unit for air circulation for cooling the motor and to supply sufficient air to the jets. Do not insulate this area or around motor.

Optional RapidHeat Service Access

Where tubs have been ordered with the optional RapidHeat heater consider an additional service access.

If service access has not been provided, it is the home owners responsibility to remove the bath and provide the required access, should a repair become necessary.

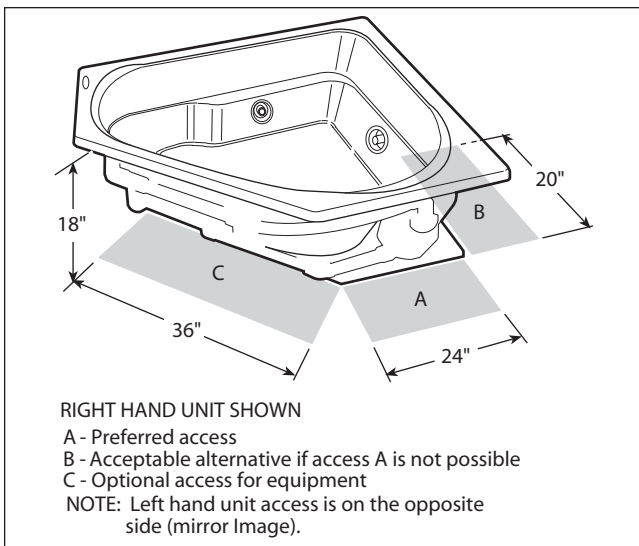
Service Access with Skirt

An optional skirt fits along the side of the bath for above-floor installations and is also an access panel for servicing. Allow a space of at least 8 inches away from the bath for skirt removal.

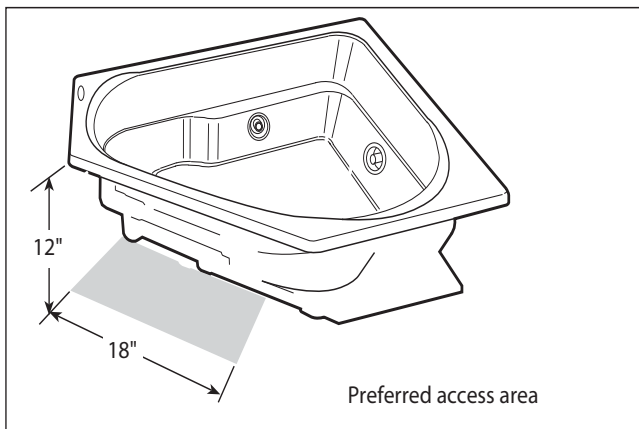
The skirt is designed to accommodate the added height of the tile, linoleum, or other floor coverings up to 1-1/4 inches above the floor, and will be flush with the floor when installed.

More detailed instructions on skirt installation are provided with the optional skirt assembly.

SERVICE ACCESS (CORNER BATHS)



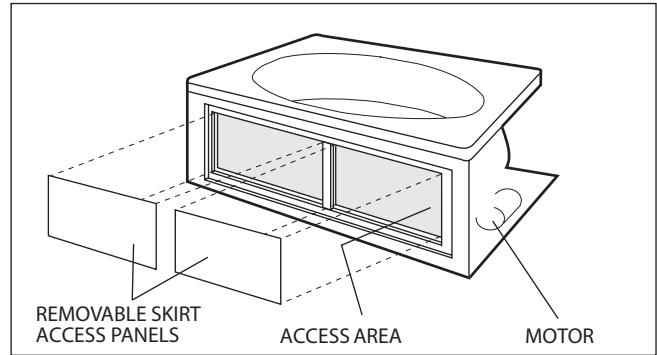
SERVICE ACCESS (BG55 CAPELLA CORNER BATH ONLY)



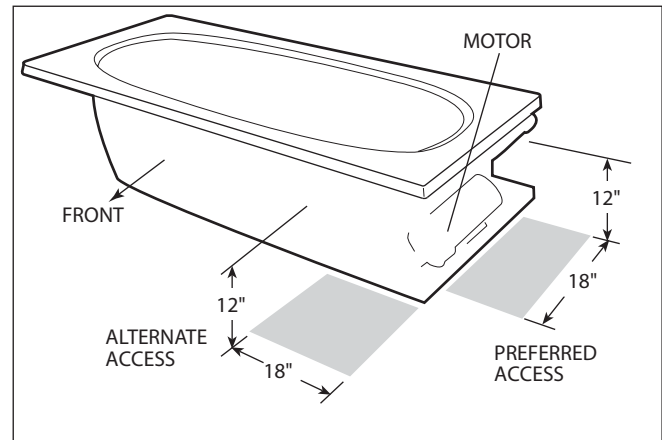
Service Access with Integral Skirt

Service access is through the removable skirt panels.

SERVICE ACCESS (WITH INTEGRAL SKIRT)

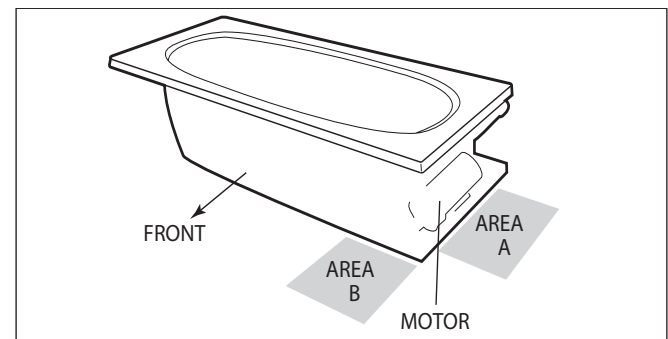


SERVICE ACCESS (WITHOUT SKIRT)



In some cases, access may not have been provided because of the design of the bath environment and having full understanding that in this case, it may be necessary to remove the unit for service.

If this is the case, diagnosing a problem may not be possible without complete access to the plumbing system. This would necessitate the removal of the unit. Although this practice is not commonly implemented, it is an acceptable method.



In some cases access may have been provided in Area A but service is required in Area B which requires the unit to be pulled for service and reinstalled.

If service access has not been provided, it is the home owners responsibility to remove the bath and provide the required access, should a repair become necessary.

Electrical Connections

A separate circuit, which must be protected by a Ground Fault Circuit Interrupter (GFCI), is required. Install a duplex outlet to the studwall underneath the bathtub, at least 4 inches above the floor. The duplex outlet is not provided. Because these units are manufactured with a safe, convenient Magic Touch whirlpool ON/OFF switch on the bath itself, no remote switch or timer is necessary. If an optional timer is desired, one is available from Jacuzzi Whirlpool Bath for 115 VAC operation.

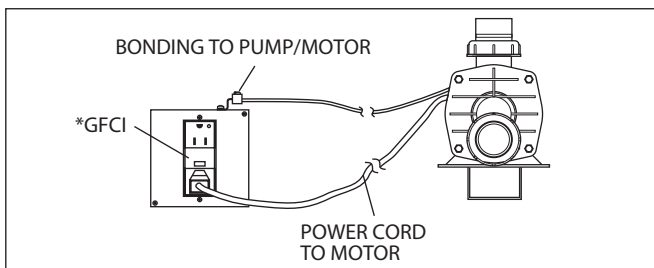
DANGER: RISK OF ELECTRIC SHOCK. Connect only to a circuit protected by a Ground Fault Circuit Interrupter.

CAUTION: Operating the motor/pump without enough water in the bath can cause leaking and permanent damage to the pump. Before power is applied to the installation, make sure the switch is in the OFF position to avoid pump damage.

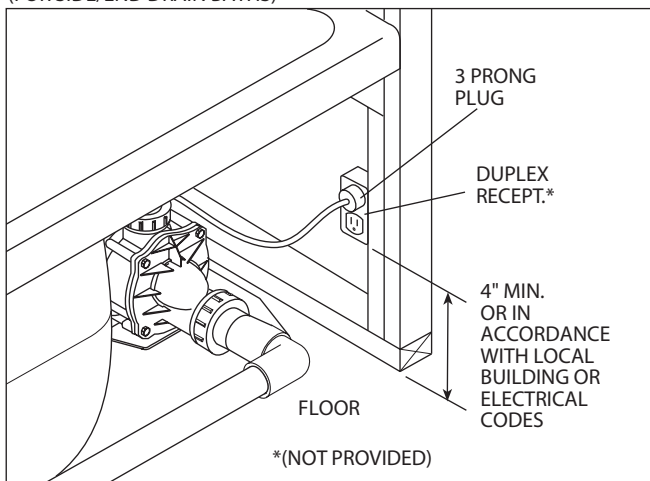
On the Capella 55 with integral skirt, Capella 60 with integral skirt, Capella Spacesaver with integral skirt and Tara with integral skirt a duplex junction box has been provided. To access, remove skirt access panel. See top views for location.

A separate GFCI protected outlet* (not provided) is required for pump/motor and is to be installed in the junction box. The junction box is to be hard wired. The motor is bonded to the junction box at the factory.

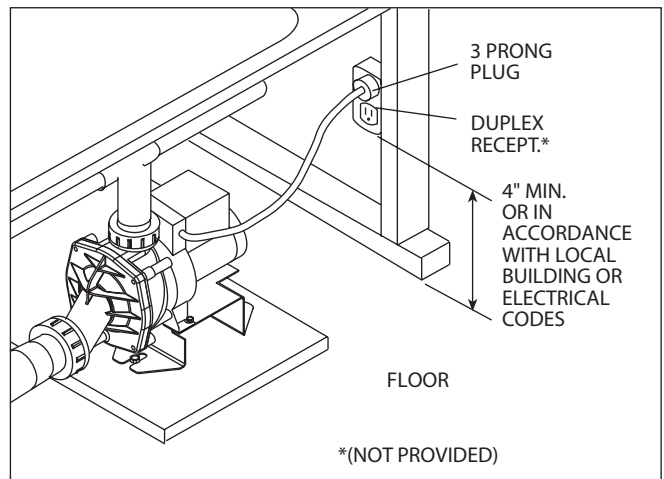
CAPELLA 55, CAPELLA 60, CAPELLA SPACESAVER & TARA JUNCTION BOX



ELECTRICAL CONNECTION (FOR SIDE/END DRAIN BATHS)



ELECTRICAL CONNECTION (FOR CORNER BATHS)



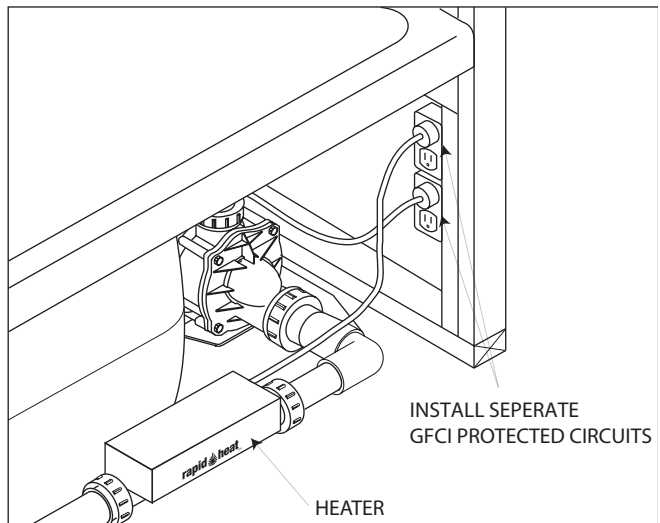
Electrical Connection RapidHeat

Before installing electrical connection, inspect the heater nameplate and determine if you have a 120 VAC or a 240 VAC unit (240 VAC unit not available in U.S.A.).

Install a separate 120 VAC 15 AMP or 240 VAC 15 AMP dedicated circuit with GFCI protection. With a #8 solid copper wire, bond the heater to the house electrical panel or approved local bond. A bonding lug is provided on the heater.

At initial start-up and before each use thereafter with power ON, push the GFCI test button. The reset button should pop out. Push this button in to reset. If the interrupter fails to operate in this manner, there is a ground current flowing or a device malfunction, indicating the possibility of electrical shock. **Turn off power and do not use the bath until the source of the problem has been identified and corrected.**

ELECTRICAL CONNECTION RAPIDHEAT



Plumbing and Water Supply

Drain Information

A drain/overflow assembly (sold separately) must be installed on the bath, water tested, and connected to the sanitary system of the house. After opening the carton, inspect for damage and verify that the kit is of the proper finish. In the Jacuzzi Whirlpool Bath drain/overflow kit, note that the waste flange, strainer, overflow cover and cover screws are packaged in a separate package within the kit to protect the trim finish. Follow the installation instructions provided with your drain/overflow kit. After the drain is fully installed, test for proper drainage. If the unit does not drain properly, rectify this condition before proceeding with the installation. Jacuzzi Whirlpool Bath is not responsible for removal and or reinstallation costs.

NOTE: Watertight installation of the drain is the installer's responsibility. Drain leakage is excluded from the Jacuzzi Whirlpool Bath warranty of this product.

Plumbing


Pump, jets, and suction fittings for the whirlpool system are factory plumbed in Schedule 40 PVC piping.

All Jacuzzi Whirlpool Bath products are factory tested for proper operation and watertight connections prior to shipping. If leaks are detected, notify Jacuzzi Whirlpool Bath. Do not install the unit.

Water Supply

Consult local authorities for plumbing code requirements in your area.

IMPORTANT: Proper installation of the fill spout plumbing and compliance with local codes are the responsibility of the installer. Jacuzzi Whirlpool Bath does not warrant connections of water supply fittings and piping, fill systems, or drain/overflow systems. Nor is it responsible for damage to the bath which occurs during installation.

 **CAUTION: A nonflammable protective barrier must be placed between soldering work and bath unit to prevent damage to the bath.**

Clean-Up After Installation

To avoid dulling and scratching the surface of the bath, never use abrasive cleaners. A mild liquid detergent and warm water will clean soiled surfaces.

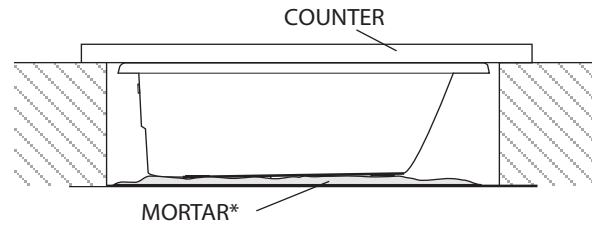
Remove spilled plaster with a wood or plastic edge. Metal tools will scratch the surface. Spots left by plaster or grout can be removed if lightly rubbed with detergent on a damp cloth or sponge.

Major scratches and gouges which penetrate the acrylic surface will require refinishing. Contact your Jacuzzi Whirlpool Bath dealer for special instructions.

UNDERMOUNT INSTALLATION INSTRUCTIONS

Installation

A typical installation will have these construction characteristics.



*MORTAR MUST BE IN CONTACT WITH ALL FOAM FEET

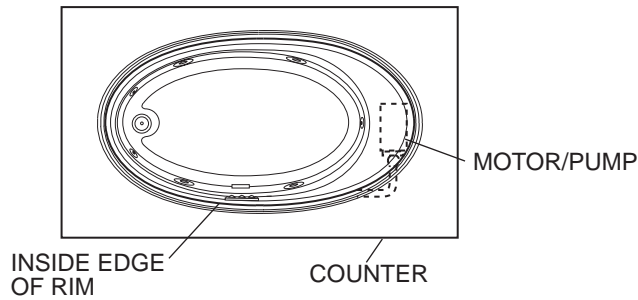
ENGLISH

Unit Protection

If protective film has been removed, reapply film. For added protection, place a drop cloth or other material in the bottom of bath for protection. Be careful not to scratch the bath surface.

Counter Preparation

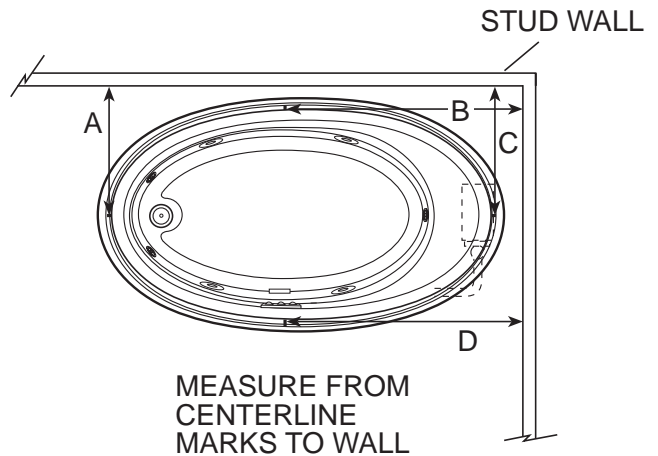
NOTE: On pump/motor side of bath, the counter should extend a minimum of 4" past the outer edge of bath, in order to clear the pump/motor plumbing extending beyond the rim of the bath.



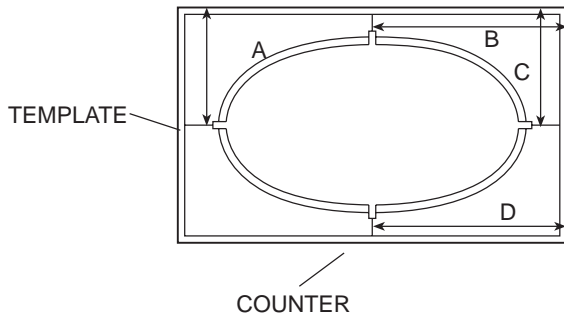
Position the template so that the cutout oval aligns with the rim edge.



In this position, using a grease pencil, mark on the bath the center line positions through the cut out slots. Remove template. Measure from marked center lines to a fixed point such as a wall.



Transfer these measurements to counter and mark center lines positions. Position template and cut counter for the desired offset.

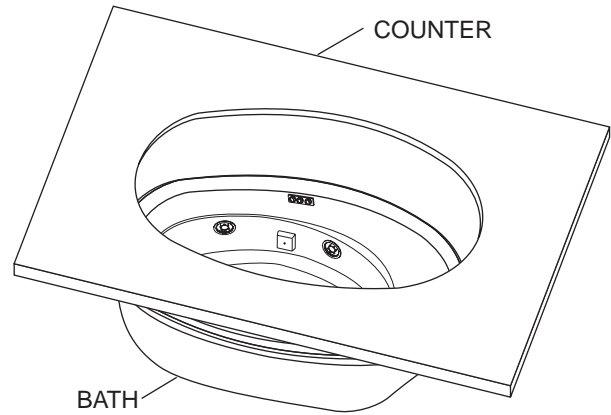


OFFSET

After cutting is complete, perform any needed routing, edge work or polishing to the counter.

UNDERMOUNT INSTALLATION INSTRUCTIONS

Position the counter on top of the bath to ensure correct fit and appearance. Make any adjustments that may be necessary. Remove the counter.



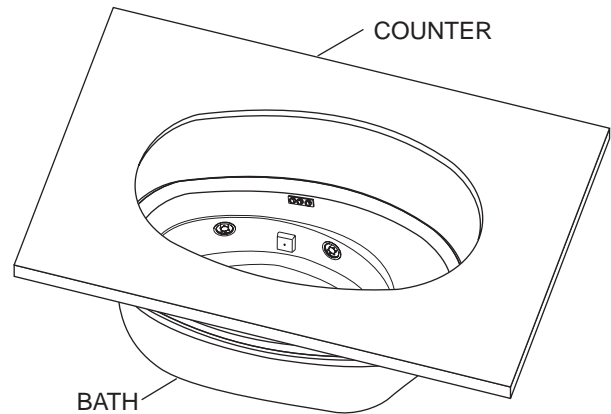
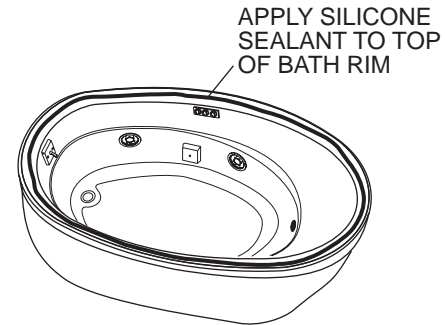
Adhering Counter to Bath

Clean any dirt or debris from the bath rim. Do not use abrasive cleaners.

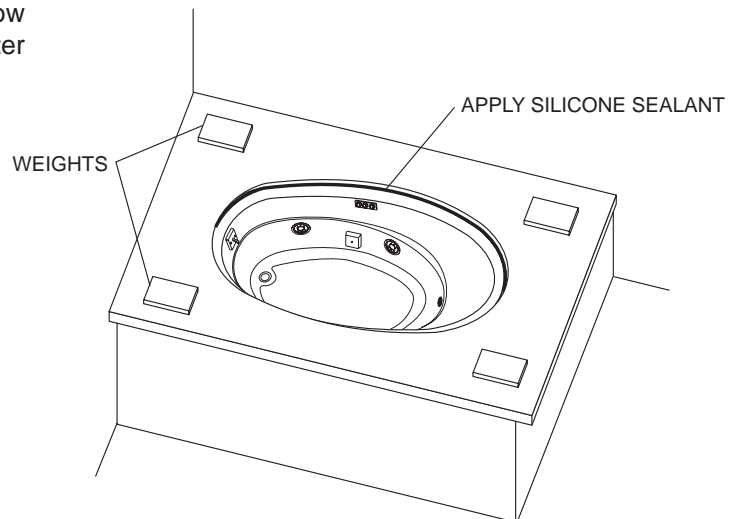
Where the counter will make contact with top of the bath rim, apply a bead of silicone sealant.

CAUTION: Do not use an adhesive or adhesive sealant to secure the counter to the bath rim. If maintenance or remodelling is required the counter may have to be removed. Adhesive will permanently bond the counter to the bath. This will make removal difficult and costly and may cause damage to the counter or bath.

Carefully position the counter onto the bath rim. The counter will need to be held in place while the sealant cures. Follow the manufacturer's instructions to determine time required for curing.



Apply a continuous bead of silicone sealant around the entire seam between the counter and bath rim. Allow sealant to skin over or cure before cleaning the counter or bath.



OPERATING INSTRUCTIONS

ENGLISH

Operation

Note: These instructions pertain to all bath products manufactured by Jacuzzi Whirlpool Bath. Not all features discussed in this instruction pamphlet apply to all baths.

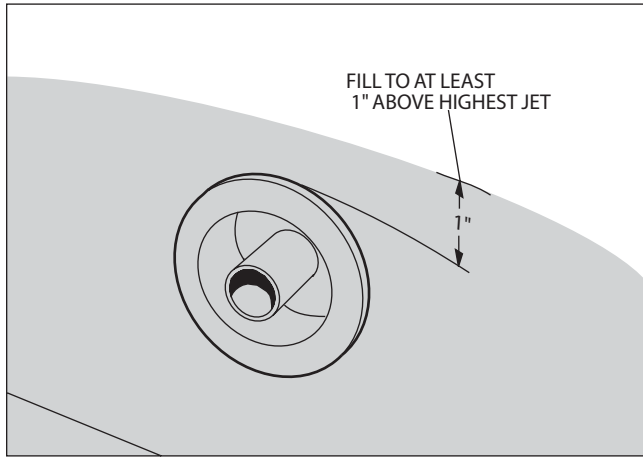
All baths manufactured by Jacuzzi Whirlpool Bath are designed for "fill and drain," which means the bath should be drained after each use and filled with fresh water by the next bather. This is a health precaution, as these baths are not designed to hold water continuously like pools or spas.

Once the bath is installed, remove any residue or foreign materials left over from construction. Use turpentine or paint thinner to remove stubborn stains, paint or tar. Other dirt can be cleaned off with a mild liquid detergent on a damp cloth. Scrape off plaster with a wooden or plastic edge; **do not use metal scrapers, wire brushes or other metal tools, as they will damage the bath's surface.**

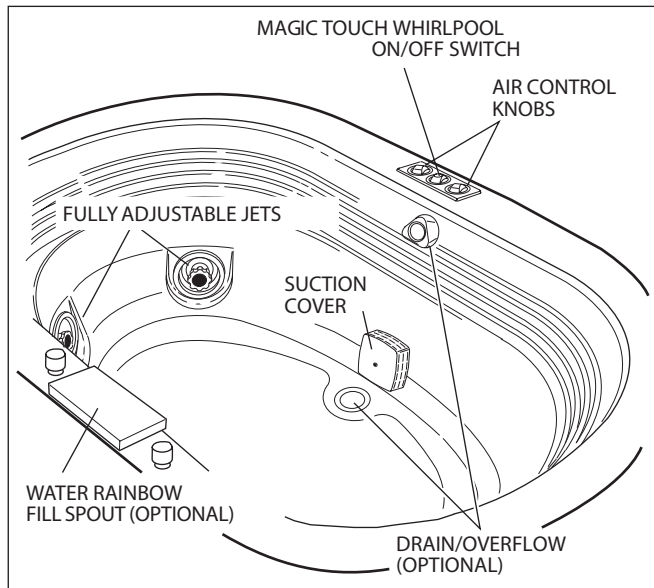
Water Level

Close the drain and fill the bath until water is at least 1" above the highest jet (see water line indicated in the illustration). **Do not turn on the whirlpool system at any time if the jets are not completely immersed in water.** Running the whirlpool system when there is insufficient water in the bath could result in water spraying outside the bath area. Running the whirlpool system without water will damage the recirculating pump.

Do not immerse the control panel by overfilling the bath.



TYPICAL BATH FITTINGS

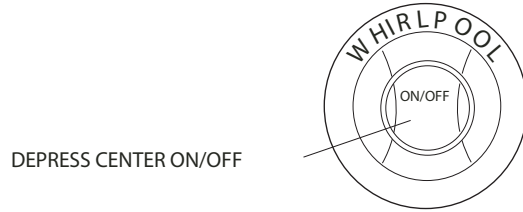


Magic Touch® Whirlpool Switch

The Magic Touch Whirlpool ON/OFF switch, conveniently located on the bath, allows you to turn the whirlpool system on and off while in the bath. Simply push down on the switch button to turn on the whirlpool system. To turn the system off, push down on the button again.

If your bath has an optional Jacuzzi Whirlpool Bath wall mounted timer, set it for the amount of time you wish the whirlpool to operate. **Note:** When you desire less than 10 minutes of whirlpool action, it is necessary to turn the timer knob clockwise past the number 10 and then back to the desired amount. If the whirlpool action does not begin when the timer is correctly set, it is necessary to push the Magic Touch switch button.

WHIRLPOOL ON/OFF SWITCH



RapidHeat Operation

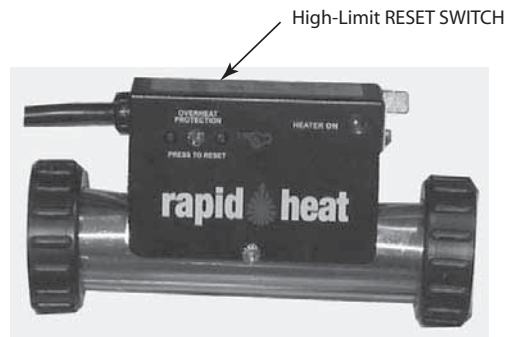
Once the heater is installed and the whirlpool pump is operating, the heating function is totally automatic. The heater will help maintain the temperature of the water in the bath.

Vacuum Switch

The heater is equipped with a preset vacuum switch which will not allow the heater to turn ON if the pump is not running with water flowing through the whirlpool system.

High-Limit Switch

The heater includes an exclusive High-Limit switch. This safety circuit will not false trip from hot tap water. It will only turn off the heater if the thermostat fails. To reset, press the button. If the high-limit trips frequently, contact your Authorized Electrical/Mechanical Service Provider. Visit our web site at <http://www.jacuzzi.com/> to find a Service Provider.



Controlling Whirlpool Action

The whirlpool action in your bath is influenced by three factors – direction of flow, force of water, and force of air. All whirlpool baths manufactured by Jacuzzi Whirlpool Bath are equipped with adjustable PowerPro® jets, that may be adjustable for one or more of the three factors.

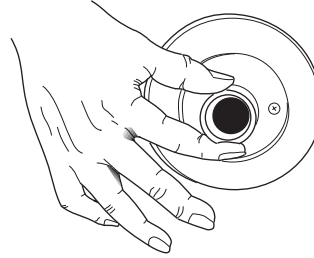
Direction: To change the direction of the water flow, swivel the jet nozzle to the desired angle. The jets can be directed individually toward any location on your body to provide a hydromassage. The jets can also be adjusted so that they all point in the same direction (clockwise or counterclockwise) to circulate the water in a circular motion around the bath, causing a total whirlpool effect.

Water Force: The high volume, fully adjustable jets can be adjusted to control the force of the water coming into the bath. For robust action, increase the force of the flow by rotating the jet handles to the left (counterclockwise). For a more gentle effect, rotate the handles to the right (clockwise). **Never run the whirlpool system with all the jets closed.**

Force of Air: Two knobs located on the bath serve as controls for the air induction system. The intensity of the hydromassage whirlpool action is determined by the amount of air inducted into the water. As the amount of air is increased, the hydromassage action increases. For maximum air induction, rotate the control knobs fully counterclockwise to the largest circles. For fewer air bubbles, decrease the amount of air induction by rotating the control knob clockwise. When the knobs are turned to the smallest circles, only water is being circulated.

JETS

DIRECTIONALLY
ADJUSTABLE

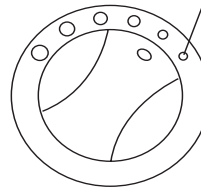


FULLY
ADJUSTABLE

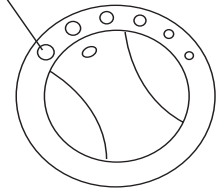


AIR INDUCTION CONTROLS

TURN CLOCKWISE TO
REDUCE AIR FLOW



TURN COUNTER-CLOCKWISE
TO INCREASE AIR FLOW



MAINTENANCE INSTRUCTIONS

Cleaning the Bath

To clean your bath, simply use a mild, nonabrasive liquid detergent solution. You can protect and restore the gloss to a dulled acrylic surface by applying an acrylic polish or automotive paste wax.

Never use abrasive household cleaners on any Jacuzzi Whirlpool Bath product.

Repairs to the Surface

Major scratches and gouges which penetrate the acrylic surface will require refinishing. Contact your Jacuzzi Whirlpool Bath dealer for special instructions.

Purging the Whirlpool System

NOTE: THE WHIRLPOOL SYSTEM SHOULD BE PURGED AT LEAST TWICE A MONTH

To remove accumulations of bath residue from the whirlpool system, it is recommended that the whirlpool bath be purged at least twice a month. For best results, however, we recommend that you purge your whirlpool bath after each use using our exclusive two-part plumbing system cleaner made specifically for whirlpool baths.

Systems Clean™ is available through an authorized Jacuzzi Whirlpool Bath Distributor or by calling us direct at 1-800-288-4002.

Instructions for use: Immediately after bathing and exiting the whirlpool bath, leave the bath water in the tub and add hot water, if necessary, so the water is at least 2" above the highest jet. Turn on the unit without the aerator. Pour the contents of the Systems Clean Packet 1 (taking care not to get the material on yourself) into the bath near the intake for the circulation pump. Repeat same process with Systems Clean Packet 2. **It is important to use Packet 1 before Packet 2 to avoid a strong odor.** Run the bath for 5 to 10 minutes. Drain completely and rinse any residue.

If you have followed the standard purging instructions above and still have an excess accumulation of bath residue and desire an alternative cleaning mechanism, we recommend **SUPER SYSTEMS CLEAN PLUS** manufactured by Stearns Packaging to rectify this condition. This may be obtained by contacting us at 1-800-288-4002. It is recommended that you follow the instructions provided by the manufacturer with the product. Repeated use may be necessary. **SUPER SYSTEMS CLEAN PLUS** does not replace the necessity to regularly purge your whirlpool system with Systems Clean as recommended.

(For additional information about water content, contact us for a copy of the *Jacuzzi Water Quality Primer*.)

Bath Additives

NOTE: DO NOT USE OIL OR OIL BASED BATH ADDITIVES.

If you want to use any kind of bath additive, use only a small amount of low-foaming powder or crystal substance; the whirlpool action intensifies the foaming properties of soaps.

The use of certain bath oils, bubble baths and bath additives may increase the level of accumulations of bath residue in the whirlpool system. If excess accumulations persist, you should discontinue use of these products.

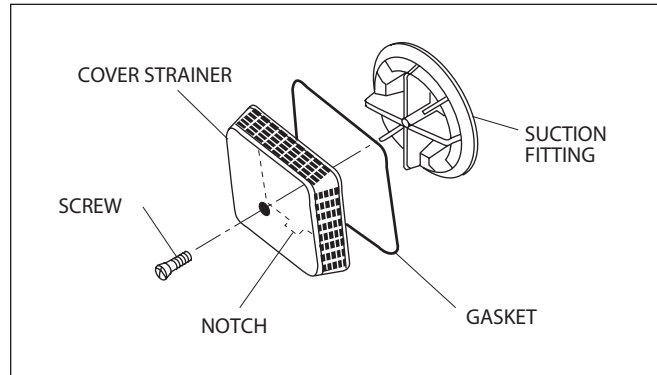
Suction Cover/Strainer Maintenance

Clean the suction cover/strainer of hair and debris when necessary. To do this, remove the center screw and detach the square cover. Clean the cover by backflushing debris from the holes. Replace the suction cover immediately after cleaning. When reinstalling, orient the cover/strainer with the small notch at the bottom. The gasket must be inserted into the groove of the cover/strainer before reinstalling onto the suction fitting.



CAUTION: Keep hair a minimum of 6 inches away from the suction fitting at all times when the whirlpool system is operating. Hair longer than shoulder length should be secured close to the head, or a bathing cap should be worn. Do not operate the whirlpool system with the suction cover removed! It is a safety device and must always be in place on the suction fitting to minimize the potential hazard of hair and body entrapment.

SUCTION COVER/STRAINER ASSEMBLY

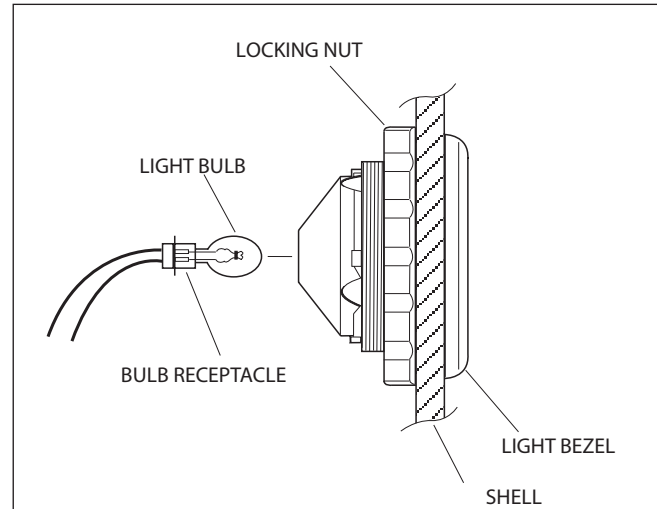


Lamp

An optional lamp kit is available from your Jacuzzi Whirlpool Bath dealer for installation on your bath.

When the bulb burns out, replace it from the **back** of the lamp fitting, on the underside of the shell, by pulling out the bulb receptacle. Replacement bulbs (12V, 7W) are available from your Jacuzzi Whirlpool Bath dealer.

LIGHT BULB REPLACEMENT



General Whirlpool Bath Troubleshooting Guide

PROBLEM	PROBABLE CAUSES	REMEDY
Pump/Motor does not start.	No power to pump/motor.	Reset GFCI.
	Pump/motor not plugged in.	Insert plug fully into outlet.
	Magic Touch switch - air tube not connected to switch or to air switch on pump/motor.	Reconnect tube to Magic Touch switch or to air switch pump/motor.
	Pump/motor faulty.	Replace pump/motor assembly.
Pump/Motor operates but no fully adjustable jets are functioning.	Jets are closed.	Open jets by rotating counterclockwise.
	Suction cover may be clogged.	With motor turned off, remove safety cover and remove any debris. Replace suction cover before operating.
Pump/Motor operates but air is not injected into water.	Air valves closed.	Open air control valves.
Pump/motor does not shutoff.	Magic Touch switch - air tube not connected to switch or to air switch on pump/motor.	Reconnect tube to Magic Touch switch or to air switch pump/motor.
	If a wall timer is used, the timer is defective	Replace timer.
Water leakage from pump unions.	Overtightened, O-ring may be pinched or improperly seated, under tightened.	Untighten unions check and reseal O-ring. If O-ring has been pinched out of shape, replace (refer to Service Support number below). When tightening union nuts, hand tighten only.
Pump/motor shuts off by itself or with wall timer, before set time elapses.	Motor thermal protection has deactivated pump/motor due to overheating. (Supply voltage low.)	Let motor cool; thermal protection will reset. Check for proper ventilation. (Check supply voltage.)
	GFCI tripped.	Reset GFCI. If it continues to trip do not use this unit. Disconnect the unit and have the problem corrected by a licensed electrician before using.
	Inadequate supply wiring.	Consult a licensed electrician to correct wiring to unit.

Note: If unit is within the warranty period, contact Jacuzzi Whirlpool Bath Service Support at 1- (800)- 288-4002 with bath's serial number before work is started. The Serial Number is located on the Specification/Serial Number Plate. See page 30.

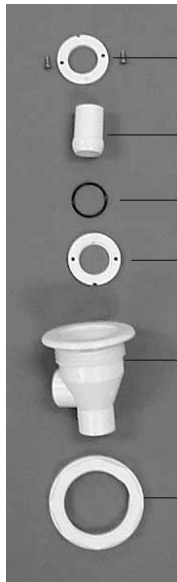
REPAIR PARTS

(When ordering parts substitute a color code for the XXX.)

BMH JET



BMH JET ASSEMBLY 8489XXX



- RETAINER NOZZLE 8412XXX*
- NOZZLE BMH 8413XXX*
- O RING 8488000
- INTERNAL O RING SEAT 8487XXX*
- JET BODY 8411XXX*
- LOCK NUT 8415000
- SCREWS (2) 7514000

HTC JET



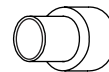
HTC JET ASSEMBLY B785XXX



- SCREWS (2) 9356000
- CLAMPING RING B788XXX*
- SWIVEL HTC B788XXX*
- GASKET 1840000
- HTC BODY A320XXX*
- BACKUP RING 1836000
- LOCK NUT 1835000



1/2" SLIP PLUG T471000



ADAPTOR, 1/2" S x SPGT
C279000

***Individual parts only available in:**

- White (940)
- Almond (914)
- Oyster (969)

Assemblies available in all colors.

Additional Color Codes

- Silver (945)
- Black (917)
- Rose (949)
- Shell (951)
- Forest Green (978)
- Sky Blue (984)
- Sand (999)

REPAIR PARTS

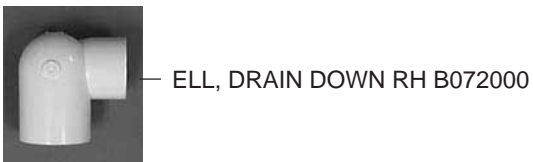
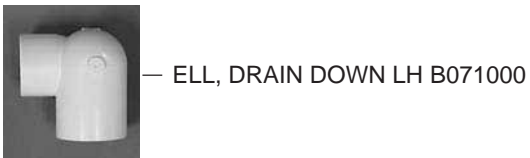
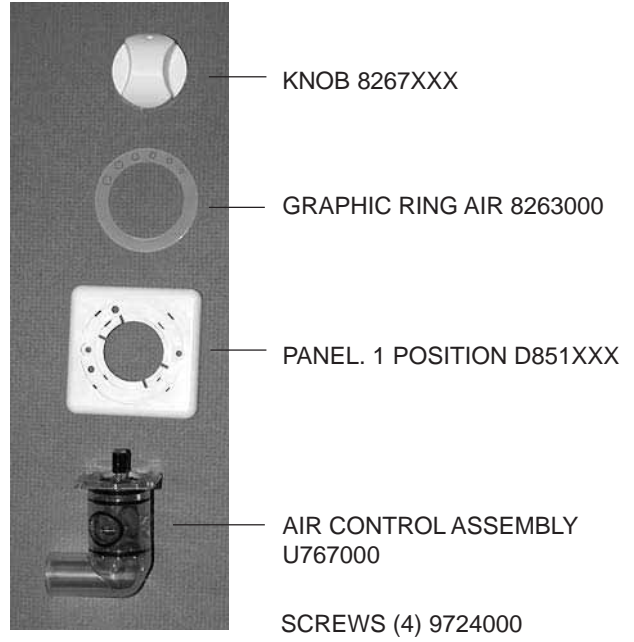
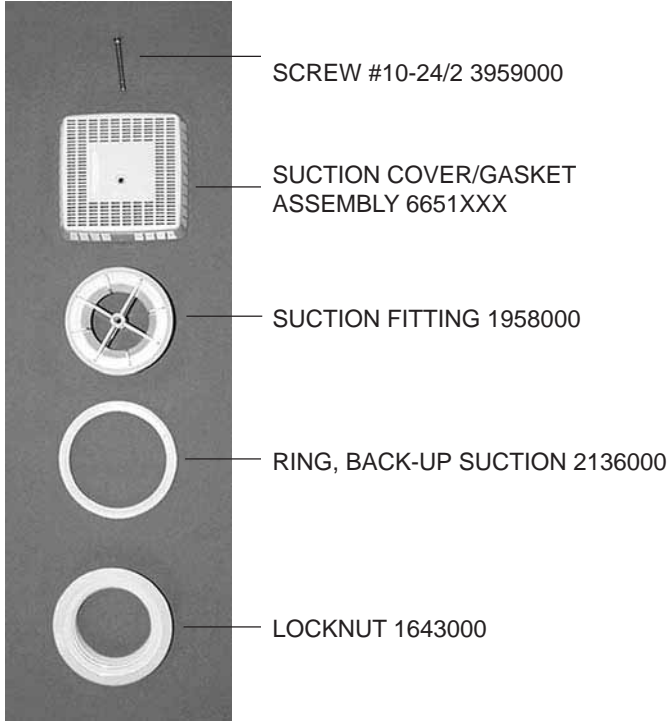
(When ordering parts substitute a color code for the XXX.)

ENGLISH

SUCTION ASSEMBLY



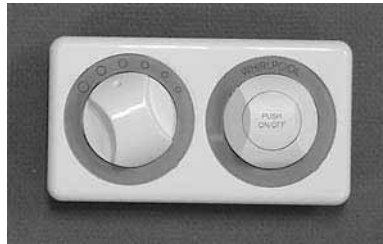
1 POSITION AIR CONTROL



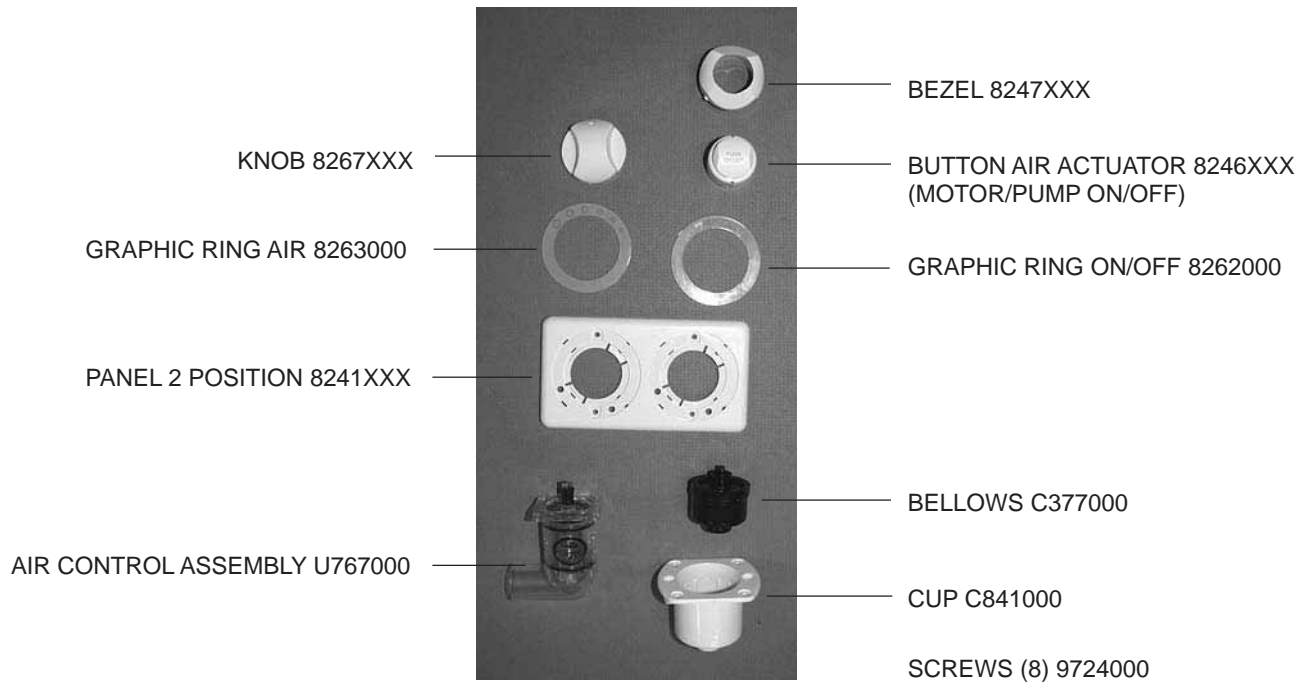
REPAIR PARTS

(When ordering parts substitute a color code for the XXX.)

2 POSITION CONTROLLER
(AIR & PUMP/MOTOR ON/OFF)



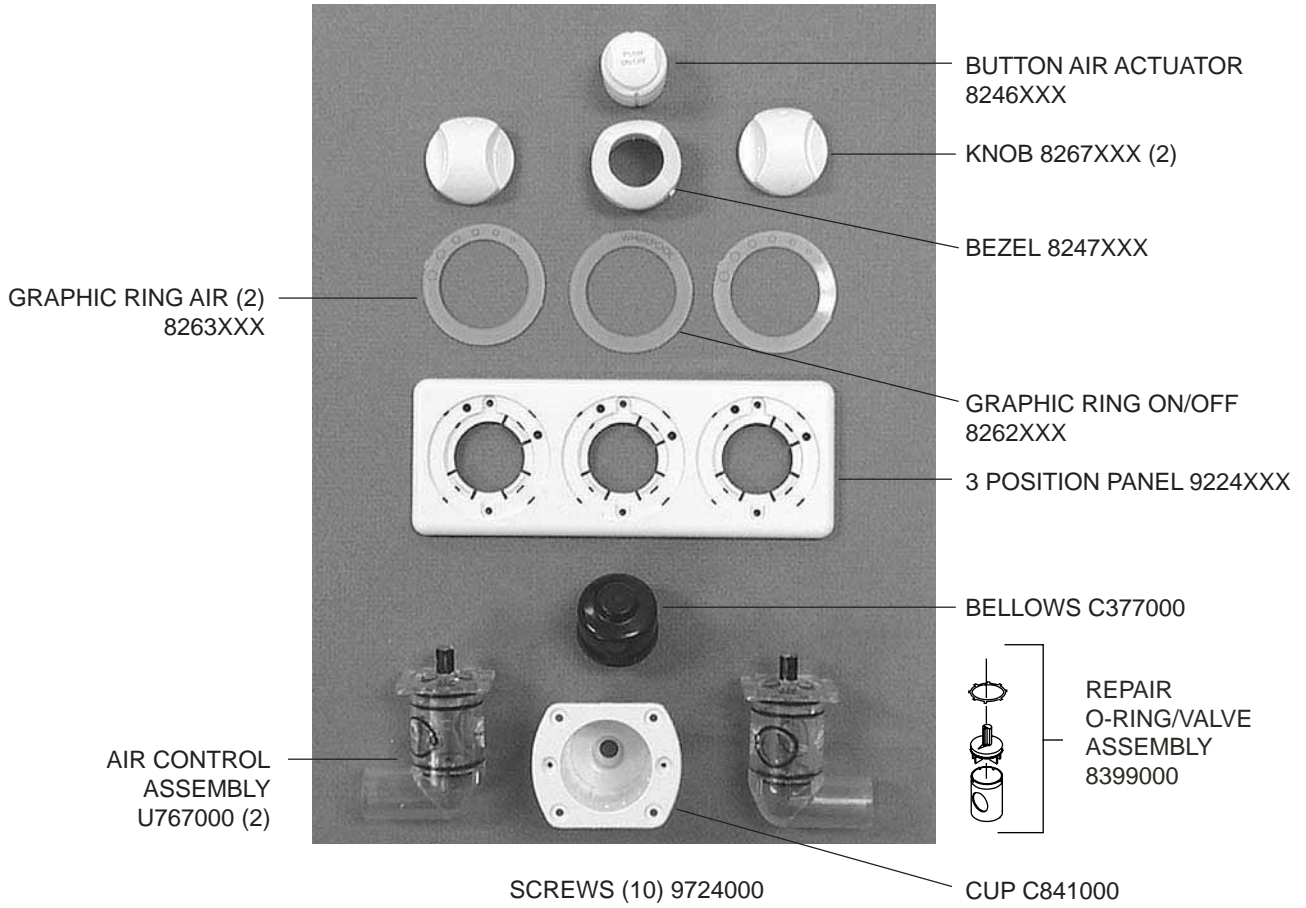
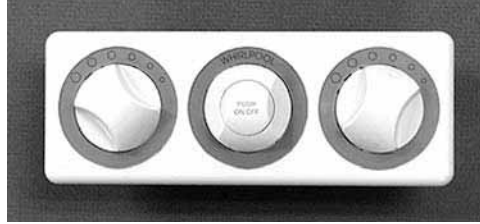
ENGLISH



REPAIR PARTS

(When ordering parts substitute a color code for the XXX.)

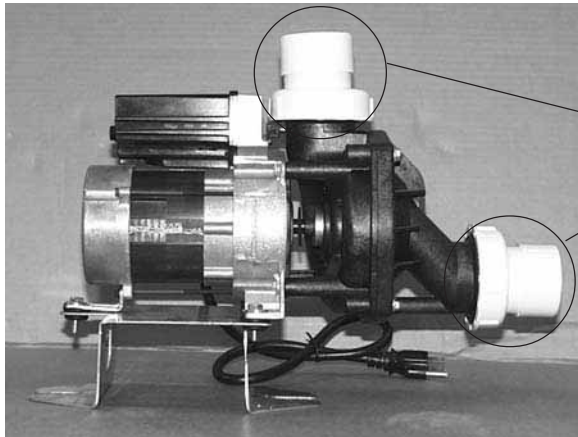
3 POSITION PANEL



REPAIR PARTS

(When ordering parts substitute a color code for the XXX.)

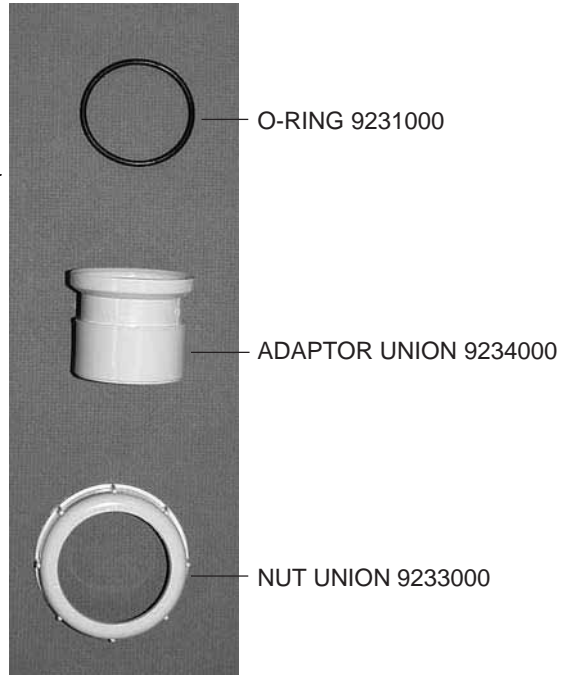
MOTOR/PUMP ASSEMBLY WITH BRACKET
10A, 115V, 60HZ H412000
or
7.0A, 115V, 60HZ BG94000



MOTOR/PUMP ASSEMBLY WITHOUT BRACKET
7.0A, 115V, 60HZ Y660000.

7.0A MOTOR/PUMP BRACKET Y463000.

UNION REPAIR KIT 9250000:



RAPIDHEAT REPAIR PARTS

ENGLISH



RAPIDHEAT REPAIR HEATER
 SUCTION SIDE S749000
 UNION GASKETS (2) G947000
 TAILPIECE (2) T180000



RAPIDHEAT REPAIR HEATER
 DISCHARGE SIDE U394000
 UNION GASKETS (2) Y671000
 TAILPIECE (2) Y670000

NOTE: Suction RapidHeat heater components and Discharge RapidHeat heater components are not interchangeable.

RAPIDHEAT HEATER DISASSEMBLED



TAILPIECE

UNION GASKET (2)

TAILPIECE

BLANK DISASSEMBLED



REPAIR HEATER BLANK
 SUCTION SIDE BF68000
 UNION GASKETS (2) G947000
 TAILPIECE (2) T180000



REPAIR HEATER BLANK
 DISCHARGE SIDE BF67000
 UNION GASKETS (2) Y671000
 TAILPIECE (2) Y670000

**PRODUCT SPECIFICATIONS ARE SUBJECT TO CHANGE WITHOUT NOTICE.
USE INSTALLATION INSTRUCTIONS SUPPLIED WITH PRODUCT.**

Jacuzzi Whirlpool Bath has obtained applicable code (standards) listings generally available on a national basis for products of this type. It is the responsibility of the installer/owner to determine specific local code compliance prior to installation of the product. Jacuzzi Whirlpool Bath makes no representation or warranty regarding, and will not be responsible for any code compliance.

Jacuzzi Whirlpool Bath
P.O. Box 702168, Dallas, TX 75370-2168
Service Support: (800) 288-4002

©1996 Jacuzzi Whirlpool Bath K272000AC 12/04



Printed on Recycled Paper

Printed in the U.S.A.

Authorized Service

If you need a referral for a service company near you, or need assistance with operation or maintenance related questions, please call our Service Support Department at 1-800-288-4002. For service agent listing, visit our web site at <http://www.jacuzzi.com/>. To find the service agent listings, click on “For The Trade”. Then click on Electrical/Mechanical Service Agents. Depending on the problem, click on “Electrical/Mechanical Repairs” or “Finish, Surface or Shell-Related Problems”.

When requesting service or technical assistance please have available both the model and serial number of your unit. This information can be obtained from the product registration card provided with your unit. If the card has been misplaced, this information can be obtained from the specification/serial number label on the unit itself (for location of specification/serial number label see below).

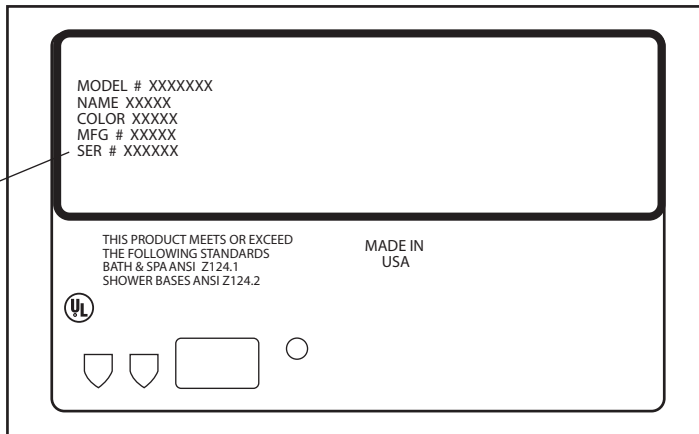
BATH PRODUCTS

Whirlpool baths: The label is located on the wall of the bath near the pump/motor.

Non-jetted baths: The label is located next to the overflow.

SPECIFICATION/SERIAL NUMBER PLATE

YOU WILL FIND YOUR
SERIAL NUMBER HERE.





ADDENDUM

AUTHORIZED SERVICE Change

This sheet replaces the Authorized Service page in this manual.

AUTHORIZED SERVICE

If you need a referral for a service company near you, or need assistance with operation or maintenance related questions, please call our Service Support Department at 1-800-288-4002. Visit our web site at <http://www.jacuzzi.com/> for products and services.

To find service agent listings for:

Electrical or Mechanical Repairs visit <http://jacuzzi.com/pdf/ASA.PDF>

Finish, Surface, or Shell-Related Repairs visit <http://jacuzzi.com/pdf/AFC.PDF>

Repair Parts or Accessories visit <http://jacuzzi.com/pdf/MPD.PDF>

When requesting service or technical assistance please have available both the model and serial number of your unit. This information can be obtained from the product registration card provided with your unit. If the card has been misplaced, this information can be obtained from the specification/serial number label on the unit itself (for location of specification/serial number label see below).

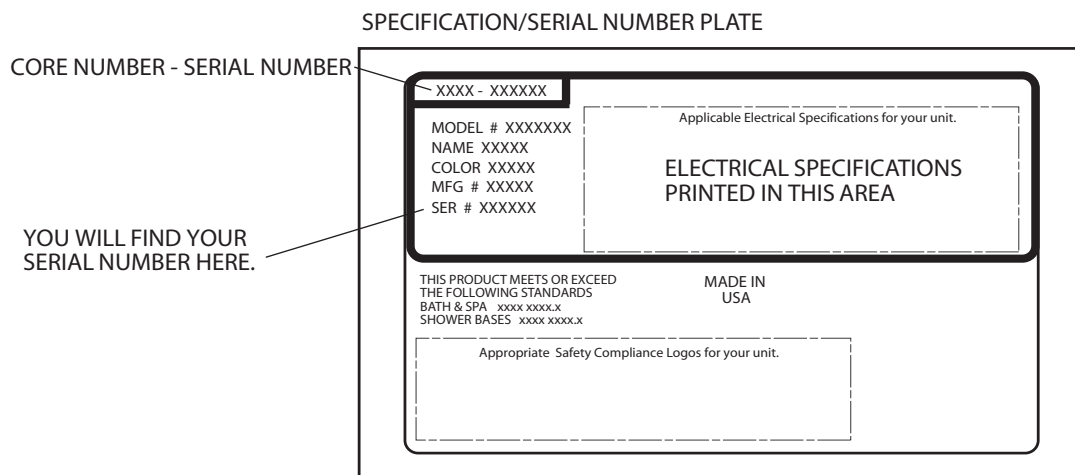
BATH PRODUCTS

Combination baths: The label is located on the wall of the bath near the pump/motor.

Whirlpool baths: The label is located on the wall of the bath near the pump/motor.

Air Baths: The label is located on the wall of the bath near the blower.

Non-jetted baths: The label is located next to the overflow.



Jacuzzi Whirlpool Bath Limited Warranty Builder Group Bath Product

WARRANTY COVERAGE

Jacuzzi Whirlpool Bath (the "Company") offers the following express limited warranty to the original purchaser of any Jacuzzi Whirlpool Bath Builder Group Bath Product ("unit") who purchases the product for personal or single family use ("user"). The Company will repair or replace, at its option, the unit or its equipment in accordance with the following terms and conditions.

ONE YEAR LIMITED WARRANTY ON BATHS

Our limited warranty on Builder Group Bath products is for one (1) year. Our warranty covers the unit and factory-installed components (e.g., pump, motor) against defects in material or workmanship. Warranty coverage begins on the date the unit was originally purchased by the user.

FIVE YEAR (PARTS ONLY) LIMITED WARRANTY ON PUMP AND MOTOR

Our limited warranty on the pump and motor is for five (5) years for parts only. Warranty coverage begins on the date the unit was originally purchased by the user.

NINETY DAY (PARTS ONLY) LIMITED WARRANTY ON OPTIONS AND ACCESSORIES

Our limited warranty on options and accessories manufactured by the Company is for ninety (90) days for parts only. Our warranty covers options and accessories manufactured by the Company (e.g., fill spout kits, trim kits, skirts) against defects in material or workmanship. Warranty coverage begins on the date the option or accessory was originally purchased by the user.

WARRANTY LIMITATIONS

Our limited warranty does not cover defects, damage, or failure caused by the common carrier, installer, user, or other person, or resulting from, without limitation, any of the following: careless handling (lifting unit by plumbing, abrading finish, etc.) including its own negligence; modification of any type for any reason (including modification to meet local codes); improper installation (including installation not in accordance with instructions and specifications provided with the unit); connections supplied by the installer of the equipment; improper voltage supply or unauthorized electrical modification; misuse; incorrect operation, or lack of proper routine maintenance; operation of the unit without specified minimum amount of water or at inappropriate water temperature; use of abrasive or improper cleaners; or acts of God, such as lightning, floods, earthquakes, etc.

In addition, THE COMPANY WILL NOT BE RESPONSIBLE FOR INCIDENTAL OR CONSEQUENTIAL DAMAGES or losses arising from any cause (e.g., water damage to carpet, ceiling, loss of use, etc.) including its own negligence; damages to, respecting, or resulting from: plated parts when pool and/or spa chemicals are used in the unit; optional bath equipment not manufactured by the Company but supplied by Dealer, installer or the Company; the unit's prior usage as an operational display; or defects that should have been discovered before installation. This limited warranty does not include: labor, transportation, or other costs incurred in the removal and/or reinstallation of the original unit and/or installation of a replacement unit; any costs relating to obtaining access for repair; or loss of use damage, including loss of sales, profit or business advantage of any kind under any circumstances. Bath units are excluded from any warranty coverage if any addition, deletion, or modification of any kind whatsoever has been made to the unit (or to any component).

Warranty coverage is provided in the United States of America and Canada.

EXCLUSION OF IMPLIED WARRANTIES

IMPLIED WARRANTIES OF MERCHANTABILITY AND FITNESS FOR A PARTICULAR PURPOSE ARE DISCLAIMED TO THE FULL EXTENT ALLOWED BY LAW.

NOTICE: This warranty gives you specific legal rights, and you may also have other rights which vary from state to state. There are no warranties applicable to Jacuzzi Whirlpool Bath products except as expressly stated herein or as implied by applicable state and federal laws. The Company will not be responsible for any statements or representations made in any form that go beyond, are broader than or are inconsistent with any authorized literature or specifications furnished by the Company.

Some states do not allow limitations on how long an implied warranty lasts, or the exclusion or limitation of incidental or consequential damages, so the above limitations and exclusions may not apply to you.

RETURN OF WARRANTY CARD

The attached Warranty Registration Card MUST be filled out by the purchaser within thirty (30) days from purchase and mailed to Jacuzzi Whirlpool Bath in order for this warranty to become effective.



Jacuzzi Whirlpool Bath
P.O. Box 702168
Dallas, TX 75370-2168

RESPONSIBILITIES OF OTHERS

Inspecting the unit prior to installation is the responsibility of the installer or building contractor who acts on behalf of the user. They are responsible for ensuring the unit is free of defect or damage. Notices are placed on and in the unit and on the shipping carton advising the installer of this responsibility. In the event of a problem, the unit must not be installed. The Company is not responsible for failures or damage that could have been discovered, repaired, or avoided by proper inspection and testing prior to installation.

Damage occurring in transit is the responsibility of the carrier. The user or installer MUST open the crate and inspect the unit for damage when it is delivered. If damage is discovered, it must be reported immediately to the seller and the carrier in writing, and an inspection requested. Failure of the carrier to respond should be reported to the seller and the carrier. Your freight claims should be filed promptly thereafter.

It is the responsibility of the installer, building contractor, or user to provide access for service. The Company is not responsible for any costs relating to obtaining access for repair. The user shall bear such costs and, if appropriate, must seek recovery from the installer.

Damage occurring to the unit during installation is the responsibility of the installer and/or building contractor and damage occurring thereafter is the responsibility of the user.

Failure of any optional equipment is the sole responsibility of the equipment manufacturer. (Options and accessories manufactured by the Company are warranted for ninety (90) days from the original date of purchase for parts only.)

The Distributor or Dealer is responsible for knowing local code requirements and notifying the installing contractor and/or user of these requirements at the time of purchase. The Company is not responsible for costs to modify any product to obtain any code approval, such as city, county, or state building codes in U.S.A. or municipal or provincial codes in Canada.

WARRANTY SERVICE

For the customer's benefit, the Company maintains a list of independent service personnel to perform required warranty service repairs. Such firms are not agents or representatives of the Company and cannot bind the Company by words or conduct.

The Company will provide the warranty service described above when the following conditions have been met: the failure is of the nature or type covered by the warranty; the user has informed an Authorized Jacuzzi Whirlpool Bath Service Agent or Warranty Service Department Representative of the nature of the problem during the warranty period; conclusive evidence (e.g., proof of purchase or installation) is provided to the foregoing by the user proving that the failure occurred or was discovered within the warranty period; an authorized independent service person or Company representative has been permitted to inspect the unit during regular business hours within a reasonable time after the problem was reported by the user.

In order to obtain warranty service, consult your local telephone book for the location of the nearest Jacuzzi Whirlpool Bath Authorized Service Agent. Describe the problem and the Authorized Service Agent will inspect the unit and provide the required warranty service.

If you are unable to contact a Jacuzzi Whirlpool Bath Authorized Service Agent, call or write:

Jacuzzi Whirlpool Bath
Warranty Service Department
P.O. Box 702168
Dallas, TX 75370-2168
Call: 1-(800)288-4002

To obtain warranty replacement for factory-installed components for Company supplied options and accessories manufactured and supplied by the Company, call or write the above. Provide a description of the problem and proof of purchase. You will be instructed how to obtain replacements and where to return, at your expense, the failed component(s), option(s), or accessory(ies).

All replacement parts, equipment, and repairs shall assume the remaining warranty period of the part(s) replaced.

The Company's warranty obligation shall be discharged upon tender of replacement or repair. The customer's refusal to accept the tender terminates the Company's warranty obligation.

©1988 Jacuzzi Whirlpool Bath K272000AC 12/04

Ninety-Day
Parts Only
Limited Warranty
On
Accessory(ies)



Warranty Registration Card

This card must be filled out and returned to the address printed on the other side within thirty (30) days from date of purchase in order for this warranty to be come effective.

Purchaser's Name _____
Purchaser's Address _____
City _____ State _____ Zip _____

Date of Purchase _____
Model Name _____
Serial Number _____
Dealer's Name _____
Dealer's Address _____

1. How did you first hear about this Jacuzzi® product?
 Advertisement Article in Magazine/Newspaper
 Visited Dealer/Plumbing Supplier Yellow Pages
 Builder/Plumber/Remodeler Decorator/Architect
 Visited Retailer/Home Center Store
 Word of Mouth... Friend/Relative/Acquaintance
 Other (Please Describe) _____
2. Who first gave you specific information about this product (specifications, prices, etc.)?
 Dealer/Plumbing Supplier Builder Remodeler
 Plumbing Contractor Retailer/Home Center Store
 Decorator/Architect Already Installed
3. What was the main reason for purchase?
 Styling Warranty Service Product Features
 Brand Name Price Hydrotherapy
 Home Resale
 Other _____
4. Who finally decided which product you would buy?
 Self Spouse Self and Spouse Together
 Other Family Member Designer/Architect
 Builder/Plumber/Remodeler Already Installed
5. Who installed?
 Contractor/Plumber when remodeling
 Self/Spouse when remodeling
 Other _____
6. What is the current market value of this property?
 Please estimate \$ _____ years
7. What is the age of the head of the household?
 Eiler Lasco Price Pfister
 Kohler American Standard Sterling
 Other (Specify) _____
9. How long did you shop before purchasing unit?
 1 day 2 months- 6 months
 2-7 days 6 months- 1 year
 1 week- 2 weeks 1 year- 2 years
 2 weeks- 4 weeks +2 years
10. Approximately how long have you lived in this home?
 household _____
 Up to \$24,999 \$50,000 to \$74,999
 \$25,000 to \$29,999 \$75,000 to \$99,999
 \$30,000 to \$39,999 \$100,000 to \$149,999
 \$40,000 to \$49,999 \$150,000 and Above
12. Was your purchase process?
 Very easy Easy Difficult Very Difficult
 Not aware Somewhat aware Very aware
13. How technically aware were you of the patented Jacuzzi® jet system prior to your purchase?
 Not aware Somewhat aware Very aware

Ninety-Day
Parts Only
Limited Warranty
On
Accessory(ies)



SERIE DE TINAS BUILDER/COMFORT

MANUAL DE INSTALACIÓN Y OPERACIÓN

ESPAÑOL

Instalador: Deje este manual para el propietario.
Propietario: Lea este manual y guardelo para referencia en el futuro.

INSTRUCCIONES IMPORTANTES SEGURIDAD

LÉA Y SIQUE TODAS LAS INSTRUCCIONES

GUARDE ESTAS INSTRUCCIONES

⚠ CAUTELA: EXAMINE EL INTERRUPTOR CON CIRCUITO DE TIERRA QUE PROTEGE ESTE APARATO PERIÓDICAMENTE, DE ACUERDO A LAS INSTRUCCIONES DE FABRICACIÓN.

ADVERTENCIA: RIESGO DE LESIONARSE O AHOGARSE ACCIDENTALMENTE; LOS NIÑOS NO DEBERÍAN USAR LA BAÑADERA DE HIDROMASAJE SIN LA SUPERVISIÓN DE UN ADULTO.

ADVERTENCIA: PARA EVITAR LESIONARSE, OBRE CON PRUDENCIA CUANDO ENTRA O SALE DE LA BAÑADERA DE HIDROMASAJE.

ADVERTENCIA: RIESGO DE LESIONARSE O AHOGARSE ACCIDENTALMENTE; NO USE LA BAÑADERA DE HIDROMASAJE A NO SER QUE TODOS LOS SEGUROS DE SUCCIÓN ESTÉN INSTALADOS COSA DE PREVENIR EL ATASCAMIENTO DEL CUERPO Y EL CABELLO.

ADVERTENCIA: MANTENGA EL CUERPO Y EL CABELLO A UNA DISTANCIA MÍNIMA DE 6" DEL MECANISMO DE SUCCIÓN, CUANDO ESTÉ FUNCIONANDO EL SISTEMA, PARA EVITAR DAÑO FÍSICO QUE RESULTE EN EL ENRAPAMIENTO DEL CUERPO Y EL CABELLO. EL CABELLO MÁS LARGO QUE LOS HOMBROS, DEBERÁ LLEVARSE RECOGIDO.

ADVERTENCIA: NUNCA DEJE CAER O METE CUALQUIER OBJETIVO EN ALGUNA APERTURA.

ADVERTENCIA: RIESGO DE CHOK ELÉCTRICO; NO PERMITA QUE LOS APARATOS ELÉCTRICOS (COMO SECADOR DE CABELLO, LÁMPARA, TELÉFONO, RADIO O TELEVISIÓN) ESTÉN A UNA DISTANCIA DE 60" (1.5 M) DE ESTA BAÑADERA DE HIDROMASAJE.

ADVERTENCIA: RIESGO DE LESIONARSE O AHOGARSE ACCIDENTALMENTE; NO CONSUMA DROGAS O BEBA ALCOHOL ANTES O DURANTE EL USO DE LA BAÑADERA DE HIDROMASAJE EQUIPADA CON UN CALENTADOR, PARA EVITAR QUEDAR SIN CONOCIMIENTO Y AHOGARSE.

ADVERTENCIA: RIESGO DE LESIÓN FETAL; LAS MUJERES EMBARAZADAS O CON POSIBILIDAD DE EMBARAZO DEBERÍAN CONSULTAR CON UN MÉDICO ANTES DE USAR UNA BAÑADERA DE HIDROMASAJE EQUIPADA CON UN CALENTADOR.

ADVERTENCIA: RIESGO DE HIPERTERMIA Y POSIBLE AHOGO; NO USE LA TINA DE HIDROMASAJE EQUIPADA CON UN CALENTADOR INMEDIATAMENTE DESPUÉS DE HABER EFECTUADO EJERCICIOS INTENSOS.

ADVERTENCIA: RIESGO DE HIPERTERMIA Y POSIBLE AHOGO; LA TEMPERATURA DEL AGUA DE MÁS DE 104°F (40°C) PUEDE CAUSAR DAÑO A SU SALUD. REVISE Y AJUSTE LA TEMPERATURA DEL AGUA ANTES DE USAR LA BAÑADERA.

ADVERTENCIA: RIESGO DE HIPERTERMIA; LAS PERSONAS QUE TOMAN MEDICAMENTOS Y/O TIENEN ANTECEDENTES MÉDICOS ADVERSOS, DEBERÍAN CONSULTAR CON UN MÉDICO ANTES DE USAR LA BAÑADERA DE HIDROMASAJE EQUIPADA CON UN CALENTADOR.

LA UNIDAD SÓLO DEBE CONECTARSE A UN CIRCUITO DE ALIMENTACIÓN PROTEGIDO POR UN INTERRUPTOR DE CIRCUITO(S) PARA FALLAS PUESTO A TIERRA (ICFT), QUE DEBE PROVEER EL INSTALADOR. REVISE EL ICFT EN FORMA RUTINARIA; PARA HACERLO, OPRIMA EL BOTÓN DE PRUEBA Y SE INTERRUMPIRÁ LA ENERGÍA ELÉCTRICA. OPRIMA EL BOTÓN DE REPOSICIÓN PARA RESTAURAR LA ENERGÍA. SI AUN SIGUIENDO ESTAS INSTRUCCIONES EL ICFT NO FUNCIONA CORRECTAMENTE, FLUYE UNA CORRIENTE A TIERRA QUE INDICA LA POSIBILIDAD DE QUE HAYA UNA DESCARGA ELÉCTRICA. NO UTILICE LA UNIDAD EN ESAS CONDICIONES. DESCONECTE LA UNIDAD Y CERCÍOARSE DE QUE UN ELECTRICISTA LICENCIADO CORRIJA LA FALLA ANTES DE USARLA.

PRECAUCIONES

- No active el sistema hidroterapéutico a menos que el nivel del agua llegue 1" arriba del chorro más alto.
- No sumerja el tablero de control saturando el baño.
- No use aceites para baño en la tina de hidromasaje.
- Para limpiar la tina no use sustancias abrasivas que puedan dañar la superficie.
- Para evitar la decoloración del terminado acrílico, cuide que la temperatura del agua no pase de 140°F (60°C).
- Es necesario purgar el sistema hidroterapéutico por lo menos dos veces al mes. Para su conveniencia, hemos desarrollado un sistema de depurador de plomería (Systems Clean™) específicamente para las tinas de whirlpool. Para averiguar sobre su disponibilidad llame al teléfono: 1-800-288-4002.
- Dé a la unidad el uso previsto y siga las instrucciones descritas en este manual. Sólo utilice los accesorios recomendados por el fabricante.
- No deje caer ni inserte objetos en los orificios.
- En la parte externa del motor se encuentra un conector de cables a presión que permite la conexión de un conductor de cobre No. 8AWG (8.4mm) entre la unidad y el equipo eléctrico y metales expuestos cercanos, a fin de cumplir con las normas de instalación aplicables.
- Esta unidad se debe molar eléctricamente y debe ser instalada por un contratista licenciado, por el electricista, y por el plomero. .
- Para unidades instaladas como parte de la estructura, instaleen manera que permite acceso para servicio.

Nota: Este es un producto de calidad profesional. Para una instalación apropiada y la satisfacción del usuario, se requiere de un conocimiento de acuerdo a los códigos en las técnicas de construcción, plomería y electricidad. Recomendamos que un contratista licenciado efectúe la instalación de todos los productos de Jacuzzi Whirlpool Bath. Nuestra garantía no cubre los problemas que resulten de una instalación inadecuada.



ADDENDUM

Las Instrucciones de la seguridad Cambian

INSTRUCCIONES IMPORTANTES SEGURIDAD LÉA Y SIQUE TODAS LAS INSTRUCCIONES GUARDE ESTAS INSTRUCCIONES

INSTRUCCIONES que PERTENECEN A UN RIESGO DE el FUEGO, DE el CALAMBRE,
O DE la HERIDA A PERSONAS

ADVERTENCIA — CUANDO SE USA ESTA UNIDAD, LAS PRECAUCIONES BÁSICAS SIEMPRE SE DEBEN SEGUIR, INCLUSIVE LO SIGUIENTE:

PELIGRO: PARA REDUCIR EL RIESGO DE LA HERIDA, NO PERMITE QUE NIÑOS UTILICEN ESTA UNIDAD A MENOS QUE ELLOS SEAN SUPERVISADOS DE CERCA SIEMPRE.

ADVERTENCIA — UTILIZA ESTA UNIDAD SOLO PARA SU USO DESTINADO DESCRIBIO COMO EN ESTE MANUAL. NO UTILICE LAS FIJACIONES NO RECOMENDADO POR LOS FABRICANTES.

ADVERTENCIA — NUNCA DEJE CAER O METE CUALQUIER OBJETIVO EN ALGUNA APERTURA.

ADVERTENCIA — NO OPERE ESTA UNIDAD SIN EL GUARDIA SOBRE LA SUCCIÓN QUE QUEDA.

ADVERTENCIA — ESTA UNIDAD DEBE SER CONECTADA SÓLO A UN CIRCUITO DEL SUMINISTRO QUE ES PROTEGIDO POR UN INTERRUPTOR (GFCI) DE CIRCUITO DE DEFECTO DE SUELO. TAL GFCI DEBE SER PROPORCIONADO POR EL INSTALADOR Y DEBE SER PROBADO EN UNA BASE RUTINARIA. PARA PROBAR EL GFCI, EMPUJE EL BOTÓN DE LA PRUEBA. EL GFCI DEBE INTERRUPTIR EL PODER. EMPUJE EL REPONE EL BOTÓN. EL PODER SE DEBE RESTAURAR. SI EL GFCI FALLA DE OPERAR EN ESTA MANERA, EL GFCI ES DEFECTUOSO. SI EL GFCI INTERRUPE EL PODER A LA BAÑERA SIN EL BOTÓN DE LA PRUEBA PARA SE EMPUJAR, UNA CORRIENTE DEL SUELO QUE FLUYE, INDICANDO UNA POSIBILIDAD DE UN CALAMBRE. NO UTILICE ESTA BAÑERA DE HYDROMASSAGE. DESCONECTE LA BAÑERA DE HYDROMASSAGE Y TENGA EL PROBLEMA CORREGIDO POR UN REPRESENTANTE CALIFICADO DEL SERVICIO ANTES DE UTILIZAR.

ADVERTENCIA — (UNIDADES DE CONEXIÓN PERMANENTE) ESTAS UNIDADES CUENTAN CON UN TERMINAL VERDE (O UN CONECTOR DE CABLE MARCADO CON "G", "GR", "GROUND" O "GROUNDING") DENTRO DEL COMPARTIMIENTO DE TERMINALES. PARA REDUCIR EL RIESGO DE DESCARGA ELÉCTRICA, CONECTE EL TERMINAL O EL CONECTOR AL TERMINAL DE TIERRA DEL SERVICIO ELÉCTRICO O DEL TABLERO DE ALIMENTACIÓN CON UN CONDUCTOR DEL MISMO TAMAÑO DE LOS CONDUCTORES DEL CIRCUITO QUE SUMINISTRAN ESTE EQUIPO.

OPERAR INSTRUCCIONES

ADVERTENCIA — LA INMERSIÓN PROLONGADA EN EL AGUA CALIENTE PUEDE INDUCIR HIPERTERMIA. LA HIPERTERMIA OCURRE CUANDO LA TEMPERATURA INTERNA DEL CUERPO ALCANZA UN PLANOS VARIOS GRADOS ENCIMA DE LA TEMPERATURA CORPORAL NORMAL DE 98.6°F. LOS SÍNTOMAS DE HIPERTERMIA INCLUYEN EL AUMENTO DE UN EN LA TEMPERATURA INTERNA DEL CUERPO, EL MAREO, EL LETARGO, SOMNOLENCIA Y DESMAYAR. LOS EFECTOS DE HIPERTERMIA INCLUYEN:

- A) EL FRACASO PARA PERCIBIR EL CALOR,
- B) EL FRACASO PARA RECONOCER LA NECESIDAD DE SALIR EL BALNEARIO O LA JACUZZI,
- C) DESCONOCIMIENTO DEL PELIGRO INMINENTE,
- D) EL DAÑO FETAL EN MUJERES ENCINTAS,
- E) LA INCAPACIDAD FÍSICA SALIR EL BALNEARIO O EL JACUZZI, Y
- F) LA INCONSCIENCIA QUE TIENE COMO RESULTADO EL PELIGRO DE AHOGAR.

ADVERTENCIA — EL USO DE ALCOHOL, LAS DROGAS O LA MEDICINA PUEDEN AUMENTAR MUCHO EL RIESGO DE HIPERTERMIA FATAL.

ADVERTENCIA — NO MANIPULA CON CONTROLES USUARIO-OPERADOS NI TALES DISPOSITIVOS.



INSTRUCCIONES INSTRUCCIONES

ADVERTENCIA — LOS PRODUCTOS CUANDO SE USA ELECTRICOS, LAS PRECAUCIONES BÁSICAS SIEMPRE SE DEBEN SEGUIR, INCLUSIVE LO SIGUIENTE:

PELIGRO — EL RIESGO DE CALAMBRE. CONECTA SOLO A UN CIRCUITO PROTEGIDO POR UN INTERRUPTOR (GFCI) DE CIRCUITO DE DEFECTO DE SUELO.

 **PRECAUCIÓN** — PRUEBA EL INTERRUPTOR DE CIRCUITO DE DEFECTO DE SUELO QUE PROTEGE ESTE APARATO PERIODICAMENTE DE ACUERDO CON LAS INSTRUCCIONES DEL FABRICANTE.

ADVERTENCIA — UTILIZA ESTA UNIDAD SOLO PARA SU USO DESTINADO DESCRIBIO COMO EN ESTE MANUAL. NO UTILICE LAS FIJACIONES NO RECOMENDADO POR LOS FABRICANTES.

ADVERTENCIA — PARA EVITAR LESIONES, TENGA CUIDADO AL ENTRAR Y SALIR DE LA TINA DE HIDROMASAJE.

ADVERTENCIA — MANTENGA EL CUERPO Y EL CABELLO A UNA DISTANCIA MÍNIMA DE 6 PULG. (15 CM) DEL ACCESORIO DE SUCCIÓN MIENTRAS EL SISTEMA DE HIDROMASAJE ESTÉ EN FUNCIONAMIENTO. SI EL LARGO DEL CABELLO EXCEDE LOS HOMBROS, SE LO DEBE SUJETAR CERCA DE LA CABEZA.

ADVERTENCIA — RIESGO DE DESCARGA ELÉCTRICA. NO UTILICE ELECTRODOMÉSTICOS, COMO SECADORES DE CABELLO, LÁMPARAS, TELÉFONOS, RADIOS O TELEVISORES, EN UN RADIO DE 60 PULG. (1,5 M) DE LA TINA DE HIDROMASAJE.

ADVERTENCIA — EL RIESGO DE LA HERIDA ACCIDENTAL O AHOGANDOSE; NO UTILICE LAS DROGAS O EL ALCOHOL ANTES O DURANTE EL USO DE BAÑERA DE HYDROMASSAGE EQUIPADA CON UNA CALENTADORA PARA EVITAR LA INCONSCIENCIA Y AHOGAR POSIBLE.

ADVERTENCIA — RIESGO DE LESIÓN FETAL. LAS MUJERES EMBARAZADAS O QUE PUEDAN ESTARLO DEBEN CONSULTAR A UN MÉDICO ANTES DE UTILIZAR UNA TINA DE HIDROMASAJE CON CALENTADOR.

ADVERTENCIA — RIESGO DE HIPERTERMIA Y POSIBILIDAD DE AHOGARSE. NO UTILICE UNA TINA DE HIDROMASAJE CON CALENTADOR INMEDIATAMENTE DESPUÉS DE HACER EJERCICIOS INTENSOS.

ADVERTENCIA — RIESGO DE HIPERTERMIA Y POSIBILIDAD DE AHOGARSE. LA TEMPERATURA DEL AGUA QUE SUPERE LOS 104°F (40°C) PUEDE SER PERJUDICIAL PARA LA SALUD. CONTROLE Y REGULE LA TEMPERATURA DEL AGUA ANTES DE UTILIZAR LA TINA.

ADVERTENCIA — RIESGO DE HIPERTERMIA. LAS PERSONAS QUE TOMEN MEDICAMENTOS O QUE TENGAN UNA HISTORIA CLÍNICA PROBLEMÁTICA DEBEN CONSULTAR A UN MÉDICO ANTES DE UTILIZAR UNA TINA DE HIDROMASAJE CON CALENTADOR.

PARA INCORPORADO Y LAS UNIDADES DE GOTA-EN, INSTALAN PARA PERMITIR EL ACCESO PARA ATENDER A.

ESTA UNIDAD SE DEBE MOLER ELÉCTRICAMENTE Y DEBE SER INSTALADA POR UN CONTRATISTA LICENCIADO, POR EL ELECTRICISTA, Y POR EL PLOMERO.

LAS MATERIAS DEL EDIFICIO Y EL ALAMBRADO SE DEBEN DIRIGIR LEJOS DE LA MOTRIZ/BOMBA O FUELLE U OTRO CALOR QUE PRODUCE LOS COMPONENTES DE ESTA UNIDAD.

EL MOTOR Y EL CALENTADOR TIENEN EN SU PARTE EXTERIOR UN CONECTOR DE CABLE A PRESIÓN PARA PERMITIR LA CONEXIÓN DE UN CONDUCTOR DE UNIÓN SÓLIDO DE COBRE #8 AWG (8,4 MM) ENTRE ESTA UNIDAD Y EL RESTO DE LOS EQUIPOS ELÉCTRICOS Y METALES EXPUESTOS CERCANOS, A FIN DE CUMPLIR CON LAS NORMAS LOCALES.

PRECAUCIONES

- Ponga en funcionamiento el sistema de hidromasaje sólo cuando la tina tenga un nivel de agua que supere en 1 pulga (2,5 cm) como mínimo a la boquilla de aire más alta.
- No llene en exceso la tina para evitar que el panel de control quede sumergido.
- No utilice aditivos para baño a base de aceites en la tina de hidromasaje.
- No utilice sustancias abrasivas para limpiar la tina, ya que pueden arruinar la superficie.
- Para evitar la decoloración del acabado acrílico, no llene la tina con agua a más de 140°F (60°C).

NOTA: Este producto debe ser instalado por profesionales. Es necesario contar con conocimientos de técnicas de construcción, instalaciones eléctricas y plomería de acuerdo con las normas para lograr una instalación adecuada y la satisfacción del usuario. Recomendamos que la instalación de todos los productos Jacuzzi Whirlpool Bath[®] esté a cargo de un contratista matriculado. Nuestra garantía no cubre problemas relacionados con instalaciones defectuosas.

LAS ESPECIFICACIONES DE LOS PRODUCTOS ESTÁN SUJETAS A CAMBIOS SIN AVISO.

UTILICE LAS INSTRUCCIONES DE INSTALACIÓN ENTREGADAS CON EL PRODUCTO.

La empresa ha obtenido los listados de los códigos aplicables (normas) que suelen estar disponibles a nivel nacional para productos de este tipo. Es responsabilidad del instalador o propietario determinar el cumplimiento de las normas locales específicas antes de instalar el producto. La empresa no realiza manifestaciones ni ofrece garantías con respecto al cumplimiento de ninguna norma, ni será responsable de dicho cumplimiento.



TABLA DE CONTENIDO

Especificaciones _____	1-5
Diagramas de instalaciones _____	6-11
Instrucciones de instalación _____	12-18
Estructura y soporte _____	12
Faldón _____	13
Registros _____	14
Conexiones eléctricas _____	15
Plomería y suministro de agua _____	16
Instrucciones de Instalación de UnderMount _____	17-18
Funcionamiento _____	19-20
Mantenimiento _____	21
Guía General de Reoaro de Fallas _____	22
Piezas de Repuestos _____	23-28
Servicios Autorizados _____	30
La Garantía _____	31-32

Conserve Estas Instrucciones Para Uso Futuro.

Registro del Propietario

Fecha de compra _____

Comprado a _____

Instalado por _____

Número de serie _____

Número de modelo _____

NOTA: obtener una referencia para un agente del servicio en su 800-288-4002 de la llamada de área. Usted puede visitar también nuestro sitio web en <http://www.jacuzzi.com/>. Para encontrar la lista de agente de servicio, el clic en [For The Trade](#).

Entonces clic en [Repair Services](#) en la caja izquierda de mano.

Dependiendo del problema, el clic en [Electrical/Mechanical Repairs](#), [Finish, Surface or Shell-Related Problems](#) o [Repair Parts or Accessories](#) para una lista de agentes autorizados, de los contratistas, o de los distribuidores.

ESPECIFICACIONES

Importante: Lea las instrucciones antes de iniciar la instalación.

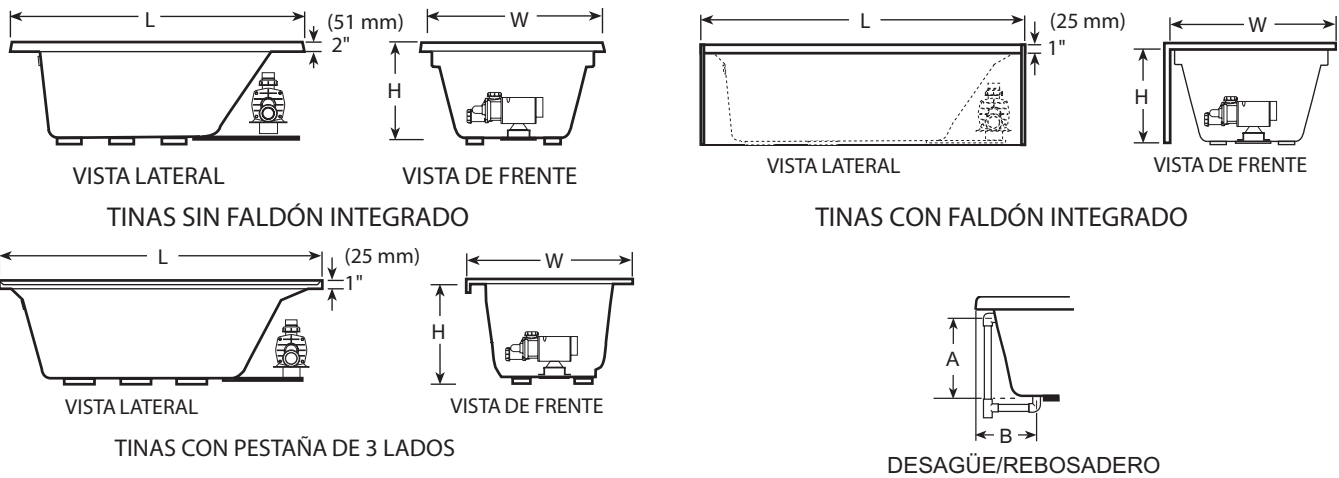
Las tinas de hidromasaje se entregan listas para instalarse y completamente equipadas con motor, bomba, accesorios de plomería y mecanismos necesarios para el hidromasaje. La instalación del equipo de desagüe y rebosadero es opcional.

Saque la tina de su caja; consérvela hasta haber revisado completamente el producto. **No levante la tina sujetándola por los accesorios de plomería, sino por el casco.**

Inspeccione el casco de la tina en cuanto la reciba. En caso de que detecte algún daño o desperfecto en el terminado, no la instale. La garantía no cubre daños o desperfectos reclamados después de la instalación. La responsabilidad de Jacuzzi Whirlpool Bath por daños de embarque termina al entregar los productos en buen estado al distribuidor. Presente sus reclamaciones por daños al distribuidor. Para mayor información sobre la cobertura de la garantía, consulte la garantía publicada en el empaque del producto.

El funcionamiento de las tinas y el buen estado de las conexiones han sido probados en fábrica antes del embarque. **Nota: Antes de la instalación, llene la tina con agua y enciéndala para verificar que no presente fugas provocadas durante el embarque o por mal manejo.** Jacuzzi Whirlpool Bath no se hace responsable por desperfectos que pudieran haberse descubierto, reparado o evitado de haberse seguido este procedimiento de inspección y verificación.

TINAS RECTANGULAR



ESPAÑOL

ESPECIFICACIONES (Rectangular)

MODELO	MEDIDAS	MEDIDAS DEL DESAGÜE/REBOSADERO	CORTE	CARGA TOTAL SOBRE EL PISO	CAPACIDAD	PESO	FALDÓN Y MONTAJE	CALENTADOR LISTO PARA LA INSTALACIÓN DEL CAMPO
AMIGA™	72" (1829 mm) L* 36" (914 mm) W 22-3/4" (527 mm) H	16-7/8" (429 mm) A 14" (356 mm) B	70" x 34"	772 lb (351 kg)/ 43 lb/sq. ft. (210 kg/sq. m)	50 U.S. gal (186 litros)	105 lb (48 kg)	Opcional, marco en "U"	Si (S750000 HEATER JUEGO)
AMIGA™ CON FALDÓN INTEGRADO	72" (1829 mm) L* 36" (914 mm) W 20-3/4" (533 mm) H	16-7/8" (429 mm) A 14" (356 mm) B	NA	796 lb (362 kg)/ 44 lb/sq. ft. (214 kg/sq. m)	50 U.S. gal (186 litros)	129 lb (50 kg)	Integrado	Si (S750000 HEATER JUEGO)
BIANCA®	72" (1829 mm) L* 48" (1219 mm) W 20-1/2" (521 mm) H	16" (406 mm) A 8-1/2" (216 mm) B	70" x 46"	993 lb (451 kg)/ 44 lb/sq. ft. (215 kg/sq. m)	73 U.S. gal (276 litros)	135 lb (61 kg)	Opcional, marco en "U"	Si (S750000 HEATER JUEGO)
CETRA® CON FALDÓN INTEGRADO	60" (1524 mm) L* 32" (813 mm) W 20-1/2" (521 mm) H	17-7/8" (454 mm) A 9-3/8" (238 mm) B	NA	727 lb (330 kg)/ 55 lb/sq. ft. (268 kg/sq. m)	46 U.S. gal (174 litros)	94 lb (43 kg)	Integrado	Si (S750000 HEATER JUEGO)
CETRA® 532	60" (1524 mm) L* 31-7/8" (791 mm) W 21-1/4" (553 mm) H	18-1/2" (470 mm) A 9" (229 mm) B	58" X 30-1/4"	697 lb (317 kg)/ 53 lb/sq. ft. (259 kg/sq. m)	43 U.S. gal (163 litros)	89 lb (41 kg)	Opcional, marco en "U"	Si (S750000 HEATER JUEGO)
CETRA® 536	60" (1524 mm) L* 36" (914 mm) W 21-1/4" (553 mm) H	18-1/2" (470 mm) A 9" (229 mm) B	58" X 34-1/4"	742 lb (337 kg)/ 50 lb/sq. ft. (244 kg/sq. m)	48 U.S. gal (181 litros)	92 lb (42 kg)	Opcional, marco en "U"	Si (S750000 HEATER JUEGO)

*Añada 1/4" a esta medida al instalar las unidades de 3 muros.

NOTA: Las dimensiones en general son nominales con una tolerancia de +0 y -1/4".

PARA TODAS LAS UNIDADES: Requisitos eléctricos del servicio: Todas requieren un circuito dedicado independiente y protegido con un ICFT.

RapidHeat: 115 VAC, 15 AMP, 60 Hz. dedicado ICFT protegido circuito separado.

Motor/Pump: 115 VAC., 15 Amp, 60 Hz. dedicado ICFT protegido circuito separado.

ESPECIFICACIONES (Rectangular)

MODELO	MEDIDAS	MEDIDAS DEL DESAGÜE/ REBOSADERO	CORTE	CARGA TOTAL SOBRE EL PISO	CAPACIDAD	PESO	FALDÓN Y MONTAJE	CALENTADOR LISTO PARA LA INSTALACIÓN DEL CAMPO
CETRA® 536 CON FALDÓN INTEGRADO	60" (1524 mm) L* 36" (914 mm) W 21-1/4" (553 mm) H	18-1/2" (470 mm) A 9" (229 mm) B	NA	742 lb (337 kg)/ 50 lb/sq. ft. 244 kg/sq. m	48 U.S. gal (181 litros)	92 lb (42 kg)	Integrado	Si (S750000 HEATER JUEGO)
LUXURA™ 5	60" (1524 mm) L 32" (813 mm) W 20-1/4" (514 mm) H	15-1/4" (387 mm) A 8-1/4" (210 mm) B	NA Pestaña Moldeada de Azulejo	697 lb (264 kg)/ 52 lb/sq. ft. (254 kg/sq. m)	44 U.S. gal (167 litros)	80 lb (36 kg)	Opcional, marco en "U"	Si (S750000 HEATER JUEGO)
LUXURA™ 5 CON FALDÓN INTEGRADO	60" (1524 mm) L 32" (813 mm) W 20-1/4" (514 mm) H	15-1/4" (387 mm) A 8-1/4" (210 mm) B	NA	700 lb (318 kg)/ 53 lb/sq. ft. (259 kg/sq. m)	42 U.S. gal (159 litros)	100 lb (45 kg)	Integrado	Si (S750000 HEATER JUEGO)
LUXURA™ 5.5	66" (1676 mm) L* 34" (864 mm) W 20" (508 mm) H	15-1/4" (387 mm) A 8-3/8" (213 mm) B	64" x 32"	823 lb (374 kg)/ 53 lb/sq. ft. (259 kg/sq. m)	58 U.S. gal (220 litros)	90 lb (41 kg)	Opcional, marco en "U"	Si (S750000 HEATER JUEGO)
LUXURA™ 530 CON FALDÓN INTEGRADO	60" (1524 mm) L* 30" (762 mm) W 20-1/4" (483 mm) H	16-3/4" (425 mm) A 9-1/4" (235 mm) B	NA	662 lb (301 kg)/ 53 lb/sq. ft. (259 kg/sq. m)	38 U.S. gal (144 litros)	95 lb (43 kg)	Integrado	Si (U395000 HEATER JUEGO)
MAJORA® 5	60" (1524 mm) L* 42" (1067 mm) W 19-1/2" (495 mm) H	15" (381 mm) A 8-3/4" (222 mm) B	58" x 40"	728 lb (331 kg)/ 42 lb/sq. ft. (205 kg/sq. m)	46 U.S. gal (1172 litros)	95 lb (43 kg)	No Disponible	Si (S750000 HEATER JUEGO)
MAJORA® 6	72" (1829 mm) L* 42" (1067 mm) W 19-3/4" (502 mm) H	15-5/8" (397 mm) A 10-1/2" (267 mm) B	70" x 40"	937 lb (423 kg)/ 44 lb/sq. ft. (215 kg/sq. m)	70 U.S. gal (265 litros)	104 lb (47 kg)	No Disponible	Si (S750000 HEATER JUEGO)
MAJORA® 6 CON FALDÓN INTEGRADO	72" (1829 mm) L* 42" (1067 mm) W 19-3/4" (502 mm) H	15-5/8" (397 mm) A 10-1/2" (267 mm) B	NA	947 lb (430 kg)/ 45 lb/sq. ft. (220 kg/sq. m)	70 U.S. gal (265 litros)	114 lb (52 kg)	Integrado	Si (S750000 HEATER JUEGO)
MITO® 5	60" (1524 mm) L* 42" (1067 mm) W 21" (533 mm) H	17-1/2" (445 mm) A 11-7/8" (302 mm) B	58" x 40"	866 lb (394 kg)/ 50 lb/sq. ft. (244 kg/sq. m)	62 U.S. gal (235 litros)	100 lb (45 kg)	Opcional, marco en "U"	Si (S750000 HEATER JUEGO)
MITO® 6	72" (1829 mm) L* 42" (1067 mm) W 21-1/2" (546 mm) H	17-1/2" (445 mm) A 11-7/8" (302 mm) B	70" x 40"	993 lb (451 kg)/ 47 lb/sq. ft. (229 kg/sq. m)	72 U.S. gal (273 litros)	110 lb (50 kg)	No Disponible	Si (S750000 HEATER JUEGO)
NOVA® 5	60" (1524 mm) L* 42" (1067 mm) W 18-1/2" (470 mm) H	14-3/4" (375 mm) A 8-1/2" (216 mm) B	58" x 40"	722 lb (328 kg)/ 41 lb/sq. ft. (200 kg/sq. m)	45 U.S. gal (170 litros)	97 lb (44 kg)	Opcional, marco en "U"	Si (S750000 HEATER JUEGO)

*Añada 1/4" a esta medida al instalar las unidades de 3 muros.

NOTA: Las dimensiones en general son nominales con una tolerancia de +0 y -1/4".

PARA TODAS LAS UNIDADES: Requisitos eléctricos del servicio: Todas requieren un circuito dedicado independiente y protegido con un ICFT.

RapidHeat: 115 VAC, 15 AMP, 60 Hz. dedicó ICFT protegido circuito separado.

Motor/Pump: 115 VAC., 15 Amp, 60 Hz. dedicó ICFT protegido circuito separado.

ESPECIFICACIONES (Rectangular)

MODELO	MEDIDAS	MEDIDAS DEL DESAGÜE/REBOSADERO	CORTE	CARGA TOTAL SOBRE EL PISO	CAPACIDAD	PESO	FALDÓN Y MONTAJE	CALENTADOR LISTO PARA LA INSTALACIÓN DEL CAMPO
NOVA® 5 CON PESTAÑA DE 3 LADOS INTEGRADA	60" (1524 mm) L* 42" (1067 mm) W 18-1/2" (470 mm) H	14-3/4" (375 mm) A 8-1/2" (216 mm) B	NA	722 lb (328 kg)/ 41 lb/sq. ft. (200 kg/sq. m)	45 U.S. gal (170 litros)	97 lb (44 kg)	No Disponible	Si (S750000 HEATER JUEGO)
NOVA® 5 CON FALDÓN INTEGRADO	60" (1524 mm) L* 42" (1067 mm) W 18-1/2" (470 mm) H	15-7/8" (403 mm) A 9-1/4" (235 mm) B	NA	737 lb (335 kg)/ 42 lb/sq. ft. (205 kg/sq. m)	45 U.S. gal (170 litros)	112 lb (51 kg)	Integrado	No
NOVA® 6	72" (1829 mm) L* 42" (1067 mm) W 20-1/2" (521 mm) H	14-3/4" (375 mm) A 8-1/2" (216 mm) B	70" x 40"	876 lb (398 kg)/ 42 lb/sq. ft. (205 kg/sq. m)	62 U.S. gal (235 litros)	110 lb (50 kg)	Opcional, marco en "U"	Si (S750000 HEATER JUEGO)
NOVA® 536	60" (1524 mm) L* 36" (914 mm) W 19-1/4" (489 mm) H	15-1/8" (384 mm) A 9" (229 mm) B	58" x 34"	683 lb (310 kg)/ 46 lb/sq. ft. (224 kg/sq. m)	42 U.S. gal (159 litros)	83 lb (38 kg)	No Disponible	No
NOVA® 536 CON FALDÓN INTEGRADO	60" (1524 mm) L* 36" (914 mm) W 19-1/4" (489 mm) H	14-5/8" (372 mm) A 9" (229 mm) B	NA	698 lb (317 kg)/ 47 lb/sq. ft. (229 kg/sq. m)	42 U.S. gal (159 litros)	98 lb (45 kg)	Integrado	No
NOVA® 636 CON FALDÓN INTEGRADO	72" (1829 mm) L* 36" (914 mm) W 19" (483 mm) H	14-5/8" (372 mm) A 9-3/8" (238 mm) B	NA	824 lb (375 kg)/ 47 lb/sq. ft. (229 kg/sq. m)	56 U.S. gal (223 litros)	108 lb (49 kg)	Integrado	Si (S750000 HEATER JUEGO)
SIGNA® 5	60" (1524 mm) L* 42" (1067 mm) W 22" (559 mm) H	17-7/8" (451 mm) A 12-3/4" (330 mm) B	NA	723 lb (329 kg)/ 41 lb/sq. ft. (200 kg/sq. m)	42 U.S. gal (159 litros)	126 lb (56 kg)	Integrado	Si (S750000 HEATER JUEGO)
SIGNA® 5 CON FALDÓN INTEGRADO MOTRIZ/BOMBA CORRECTA ANTERIOR	60" (1524 mm) L* 42" (1067 mm) W 22" (559 mm) H	17-7/8" (451 mm) A 12-3/4" (330 mm) B	NA	723 lb (329 kg)/ 41 lb/sq. ft. (200 kg/sq. m)	42 U.S. gal (159 litros)	126 lb (56 kg)	Integrado	Si (U395000 HEATER JUEGO)
SIGNA® 5 CON PESTAÑA DE 3 LADOS INTEGRADA	60" (1524 mm) L* 42" (1067 mm) W 22" (559 mm) H	17-1/2" (445 mm) A 12-1/2" (318 mm) B	NA	708 lb (321 kg)/ 40 lb/sq. ft. (195 kg/sq. m)	42 U.S. gal (159 litros)	108 lb (49 kg)	Opcional, marco en "U"	Si (S750000 HEATER JUEGO)
SIGNA® 6	72" (1829 mm) L* 42" (1067 mm) W 22" (559 mm) H	16-7/8" (429 mm) A 14" (356 mm) B	70" x 40"	826 lb (375 kg)/ 39 lb/sq. ft. (190 kg/sq. m)	55 U.S. gal (208 litros)	118 lb (54 kg)	No Disponible	Si (S750000 HEATER JUEGO)

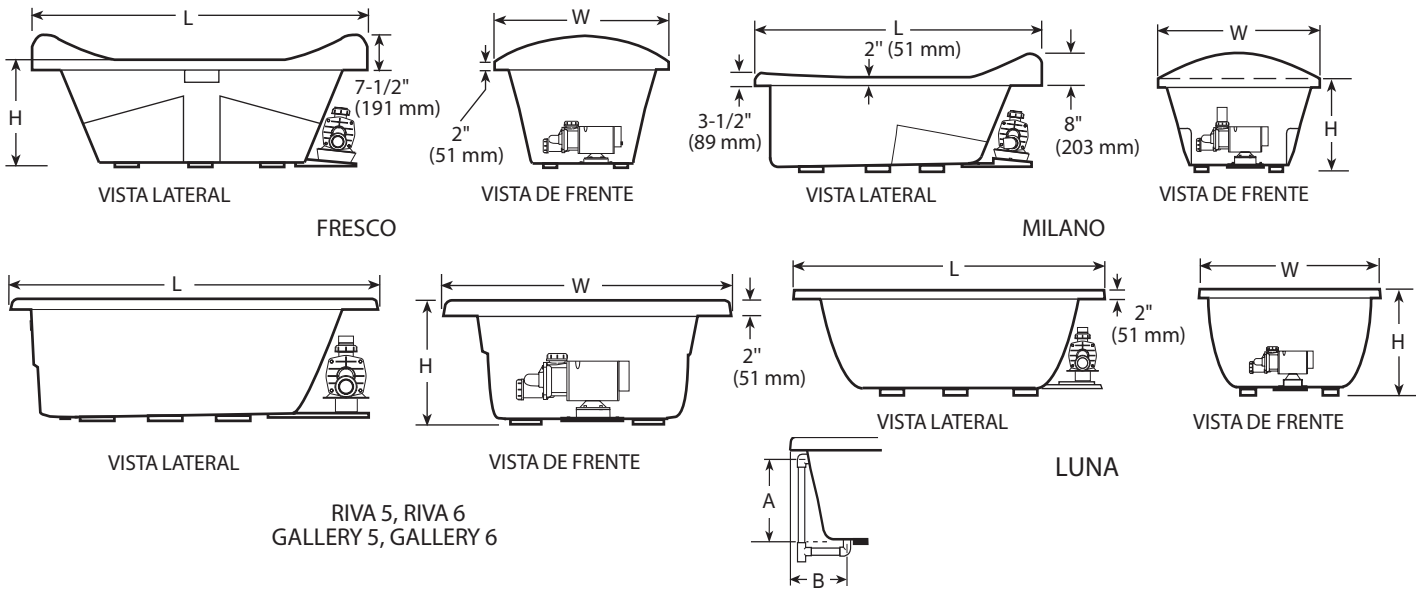
*Añada 1/4" a esta medida al instalar las unidades de 3 muros.

NOTA: Las dimensiones en general son nominales con una tolerancia de +0 y -1/4".

PARA TODAS LAS UNIDADES: Requisitos eléctricos del servicio: Todas requieren un circuito dedicado independiente y protegido con un ICFT. RapidHeat: 115 VAC, 15 AMP, 60 Hz. dedicó ICFT protegido circuito separado.

Motor/Pump: 115 VAC., 15 Amp, 60 Hz. dedicó ICFT protegido circuito separado.

TINAS OVALADAS SIN BORDES



ESPECIFICACIONES (Ovaladas)

DESAGÜE/REBOSADERO

MODELO	MEDIDAS	MEDIDAS DEL DESAGÜE/REBOSADERO	CORTE	CARGA TOTAL SOBRE EL PISO	CAPACIDAD	PESO	FALDÓN Y MONTAJE	CALENTADOR LISTO PARA LA INSTALACIÓN DEL CAMPO
FRESCO®	71-1/2" (1816 mm) L 42" (1067 mm) W 26-1/4" (603 mm) H*	20-1/8" (511 mm) A 11-3/4" (299 mm) B	Plantilla Poveida	921 lb (419 kg)/ 44 lb/sq. ft. (220 kg/sq. m)	63 U.S. gal (239 litros)	146 lb (239 kg)	No Disponible	Si (S750000 HEATER JUEGO)
GALLERY™ 5 OVAL	62" (1575 mm) L 43" (1092 mm) W 19" (483 mm) H	14-3/4" (375 mm) A 9-1/2" (241 mm) B	Plantilla Poveida	746 lb (339 kg)/ 40 lb/sq. ft. (195 kg/sq. m)	48 U.S. gal (182 litros)	96 lb (44 kg)	No Disponible	Si (S750000 HEATER JUEGO)
GALLERY™ 6 OVAL	72" (1829 mm) L 42" (1067 mm) W 20-1/2" (521 mm) H	16" (406 mm) A 11-1/2" (292 mm) B	Plantilla Poveida	826 lb (375 kg)/ 39 lb/sq. ft. (190 kg/sq. m)	62 U.S. gal (235 litros)	105 lb (48 kg)	No Disponible	Si (S750000 HEATER JUEGO)
GALLERY™ 6 OVAL UNDERMOUNT	72" (1829 mm) L 42" (1067 mm) W 20-1/2" (521 mm) H	16" (406 mm) A 11-1/2" (292 mm) B	Plantilla Poveida	826 lb (375 kg)/ 39 lb/sq. ft. (190 kg/sq. m)	62 U.S. gal (235 litros)	105 lb (48 kg)	No Disponible	Si (S750000 HEATER JUEGO)
LUNA™	72" (1829 mm) L 42" (1118 mm) W 23" (584 mm) H	19-1/8" (486 mm) A 11" (279 mm) B	Plantilla Poveida	1221 lb (555 kg)/ 58 lb/sq. ft. (283 kg/sq. m)	96 U.S. gal (364 litros)	121 lb (55 kg)	No Disponible	Si (S750000 HEATER JUEGO)
MILANO™	72" (1816 mm) L 40" (1016 mm) W 20-3/4" (527 mm) H	18-1/2" (470 mm) A 11" (279 mm) B	Plantilla Poveida	893 lb (406 kg)/ 45 lb/sq. ft. (220 kg/sq. m)	60 U.S. gal (227 litros)	143 lb (65 kg)	No Disponible	Si (S750000 HEATER JUEGO)
OPALIA™	72" (1829 mm) L 44" (1118 mm) W 22-1/4" (565 mm) H	18-3/4" (476 mm) A 12" (305 mm) B	Plantilla Poveida	978 lb (445 kg)/ 45 lb/sq. ft. (220 kg/sq. m)	70 U.S. gal (265 litros)	145 lb (66 kg)	No Disponible	Si (S750000 HEATER JUEGO)
RIVA® 5	62" (1575 mm) L 43" (1092 mm) W 19" (483 mm) H	14-3/4" (375 mm) A 9-1/2" (241 mm) B	Plantilla Poveida	746 lb (339 kg)/ 40 lb/sq. ft. (195 kg/sq. m)	48 U.S. gal (182 litros)	96 lb (44 kg)	No Disponible	Si (S750000 HEATER JUEGO)
RIVA® 6	72" (1829 mm) L 42" (1067 mm) W 20-1/2" (521 mm) H	16" (406 mm) A 11-1/2" (292 mm) B	Plantilla Poveida	871 lb (396 kg)/ 42 lb/sq. ft. (205 kg/sq. m)	62 U.S. gal (235 litros)	105 lb (48 kg)	No Disponible	Si (S750000 HEATER JUEGO)

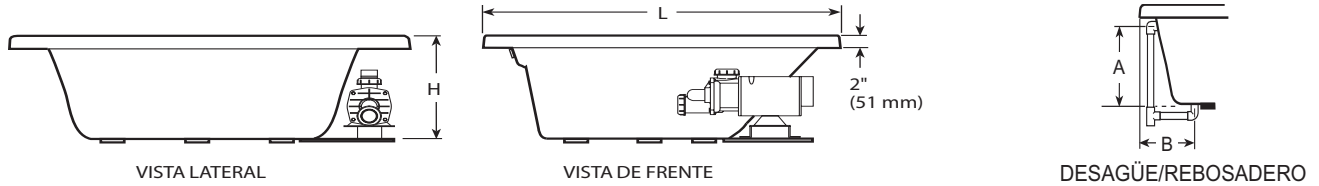
* Para el Fresco™ modela H551, H549, y H550 que esta altura es.

NOTA: Las dimensiones en general son nominales con una tolerancia de +0 y -1/4".

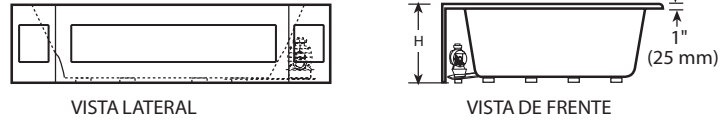
PARA TODAS LAS UNIDADES: Requisitos eléctricos del servicio: Todas requieren un circuito dedicado independiente y protegido con un ICFT. RapidHeat: 115 VAC, 15 AMP, 60 Hz. dedicado ICFT protegido circuito separado.

Motor/Pump: 115 VAC., 15 Amp, 60 Hz. dedicado ICFT protegido circuito separado.

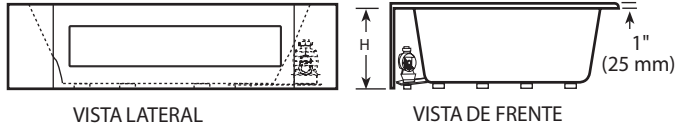
TINAS DE ESQUINA



ACAPARE el BAÑO del LADO



CAPELLA 55, CAPELLA 60, & TARA CON FALDÓN INTEGRADO



CAPELLA SPACESAVER CON FALDÓN INTEGRADO

ESPECIFICACIONES (De Esquina)

MODELO	MEDIDAS	MEDIDAS DEL DESAGÜE/REBOSADERO	CORTE	CARGA TOTAL SOBRE EL PISO	CAPACIDAD	PESO	FALDÓN Y MONTAJE	CALENTADOR LISTO PARA LA INSTALACIÓN DEL CAMPO
CAPELLA® 55	55" (1397 mm) L 55" (1397 mm) L 20-1/4" (514 mm) H	17-1/2" (445 mm) A 9-5/8" (245 mm) B	Vea Pagina 11	791 lb (360 kg)/ 38 lb/sq. ft. (185 kg/sq. m)	51 U.S. gal (193 liters)	116 lb (53 kg)	Opcional	Si (S750000 HEATER JUEGO)
CAPELLA® 55 CON FALDÓN INTEGRADO	55" (1397 mm) L 55" (1397 mm) L 20-1/2" (521 mm) H	18" (457 mm) A 12-1/8" (308 mm) B	NA	833 lb (379 kg)/ 40 lb/sq. ft. (195 kg/sq. m)	55 U.S. gal (208 liters)	125 lb (57 kg)	Integrado	No
CAPELLA® SPACESAVER CON FALDÓN INTEGRADO	60" (1524 mm) L 60" (1524 mm) L 20-1/2" (521 mm) H	18" (457 mm) A 12-3/8" (308 mm) B	NA	880 lb (400 kg)/ 35 lb/sq. ft. (171 kg/sq. m)	60 U.S. gal (227 liters)	130 lb (59 kg)	Integrado	No
CAPELLA® 60 MOTOR/BOMBA DELANTERO IZQUIERDO	60" (1524 mm) L 60" (1524 mm) L 20-1/2" (521 mm) H	18" (457 mm) A 12-1/8" (308 mm) B	Vea Pagina 11	870 lb (395 kg)/ 35 lb/sq. ft. (171 kg/sq. m)	60 U.S. gal (227 liters)	120 lb (54 kg)	No Disponible	No
CAPELLA® 60	60" (1524 mm) L 60" (1524 mm) L 20-1/2" (521 mm) H	18" (457 mm) A 12-1/8" (308 mm) B	Vea Pagina 11	870 lb (395 kg)/ 35 lb/sq. ft. (171 kg/sq. m)	60 U.S. gal (227 liters)	120 lb (54 kg)	No Disponible	No
CAPELLA® 60 CON FALDÓN INTEGRADO	60" (1524 mm) L 60" (1524 mm) L 20-1/2" (521 mm) H	18" (457 mm) A 12-1/8" (308 mm) B	NA	880 lb (400 kg)/ 35 lb/sq. ft. (171 kg/sq. m)	60 U.S. gal (227 liters)	130 lb (59 kg)	Integrado	No
GALLERY™ CORNER	60" (1524 mm) L 60" (1524 mm) L 22-1/2" (572 mm) H	18-1/8" (451 mm) A 12" (305 mm) B	Vea Pagina 11	984 lb (447 kg)/ 39 lb/sq. ft. (244 kg/sq. m)	74 U.S. gal (280 liters)	118 lb (54 kg)	No Disponible	Si (S750000 HEATER JUEGO)
TARA™	60" (1524 mm) L 60" (1524 mm) L 20-3/4" (527 mm) H	16" (406 mm) A 12-3/8" (314 mm) B	Vea Pagina 11	984 lb (447 kg)/ 39 lb/sq. ft. (190 kg/sq. m)	74 U.S. gal (280 liters)	118 lb (54 kg)	Opcional	Si (S750000 HEATER JUEGO)
TARA™ CON FALDÓN INTEGRADO	60" (1524 mm) L 60" (1524 mm) L 20-3/4" (527 mm) H	16" (406 mm) A 12-3/8" (314 mm) B	NA	999 lb (454 kg)/ 40 lb/sq. ft. (195 kg/sq. m)	74 U.S. gal (280 liters)	133 lb (61 kg)	Integrado	No

NOTA: Las dimensiones en general son nominales con una tolerancia de +0 y -1/4".

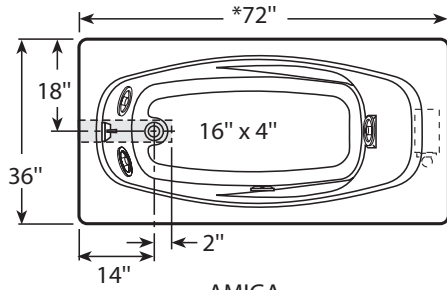
PARA TODAS LAS UNIDADES: Requisitos eléctricos del servicio: Todas requieren un circuito dedicado independiente y protegido con un ICFT.

RapidHeat: 115 VAC, 15 AMP, 60 Hz. dedicado ICFT protegido circuito separado.

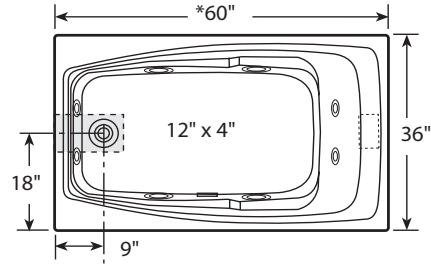
Motor/Pump: 115 VAC., 15 Amp, 60 Hz. dedicado ICFT protegido circuito separado.

DIAGRAMAS EN PLANTA DE INSTALACIONES (RECTANGULAR)

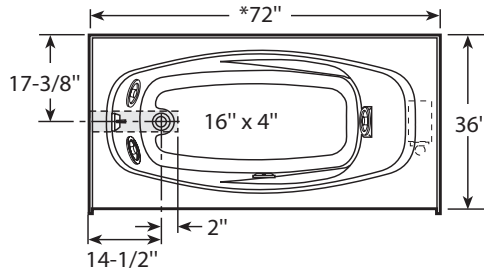
Nota: Las instalaciones de estas tinas van del lado izquierdo a menos que se especifique lo contrario. En las tinas derechas van del lado contrario.



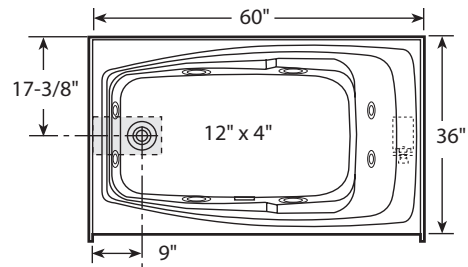
AMIGA



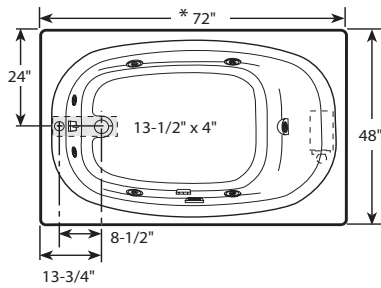
CETRA 536



AMIGA CON FALDÓN INTEGRADO

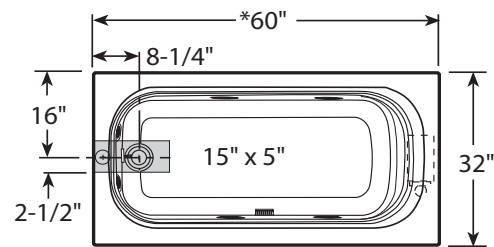


CETRA 536 CON FALDÓN INTEGRADO

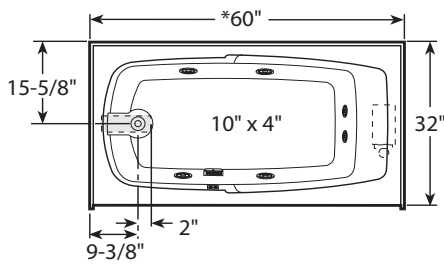


(Mano izquierda (como mostrado) solamente)

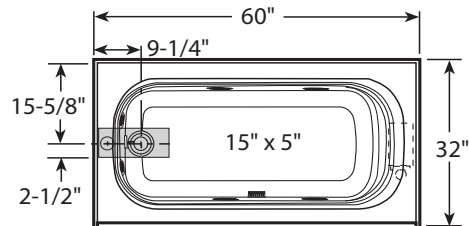
BIANCA



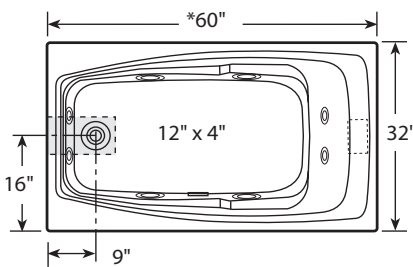
LUXURA 5



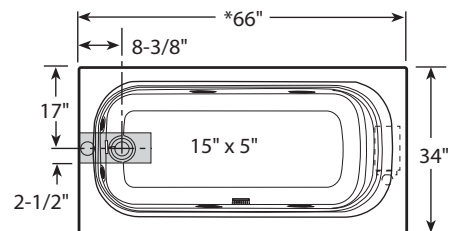
CETRA CON FALDÓN INTEGRADO



LUXURA 5 CON FALDÓN INTEGRADO



CETRA 532



LUXURA 5.5

*Añada 1/4" a esta medida al instalar las unidades de 3 muros.

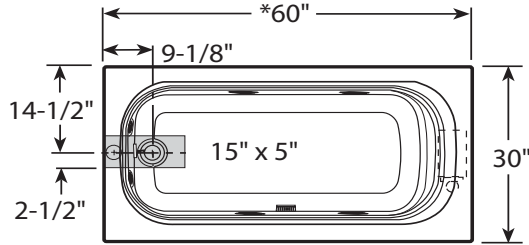
Nota: 1. LAS DIMENSIONES EN GENERAL SON NOMINALES CON UNA TOLERANCIA DE +0 Y -1/4".

2. Las medidas que aparecen adentro de la unidad representan el corte necesario en el piso para la instalación de desagüe/rebosadero.

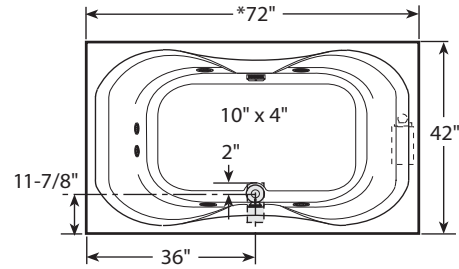
3. Todas las medidas vienen en pulgadas; para convertirlas a milímetros, multiplique por 25.4.

DIAGRAMAS EN PLANTA DE INSTALACIONES (RECTANGULAR)

Nota: Las instalaciones de estas tinas van del lado izquierdo a menos que se especifique lo contrario. En las tinas derechas van del lado contrario.

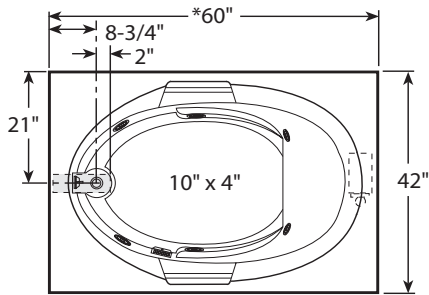


LUXURA 530 CON FALDÓN INTEGRADO

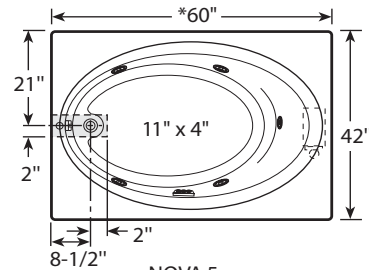


(Mano derecha mostrado. La mano izquierda es una imagen del espejo.)

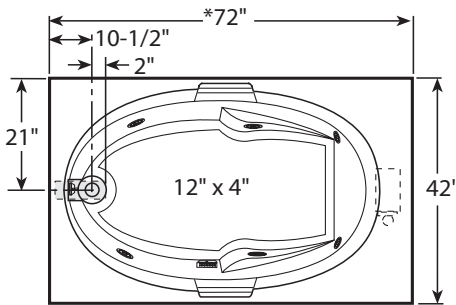
MITO 6



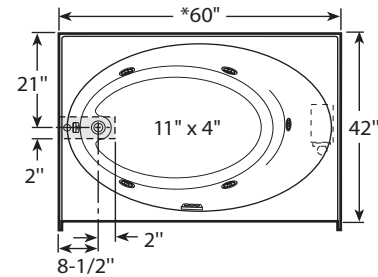
MAJORA 5



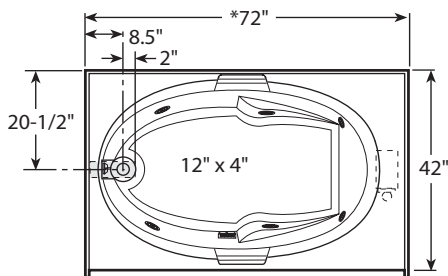
NOVA 5



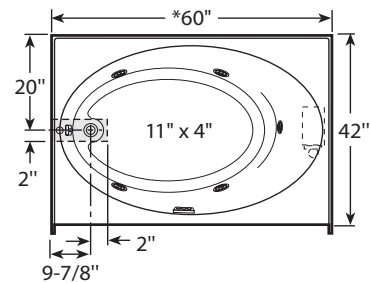
MAJORA 6



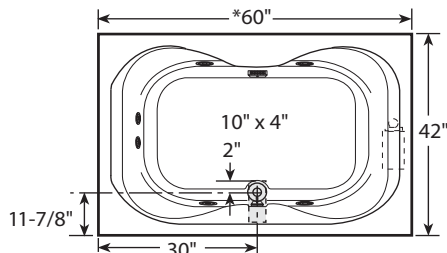
NOVA 5 CON PESTAÑA DE 3 LADOS



MAJORA 6 CON FALDÓN INTEGRADO

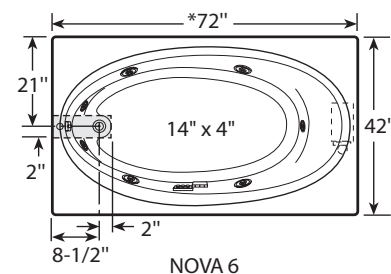


NOVA 5 CON FALDÓN INTEGRAL



(Mano derecha mostrado. La mano izquierda es una imagen del espejo.)

MITO 5



NOVA 6

*Añada 1/4" a esta medida al instalar las unidades de 3 muros.

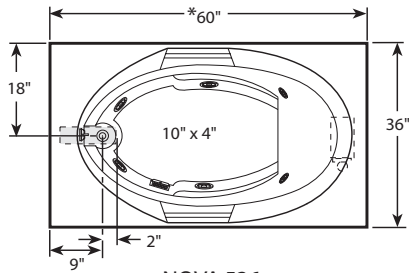
Nota: 1. LAS DIMENSIONES EN GENERAL SON NOMINALES CON UNA TOLERANCIA DE +0 Y -1/4".

2. Las medidas que aparecen adentro de la unidad representan el corte necesario en el piso para la instalación de desagüe/rebosadero.

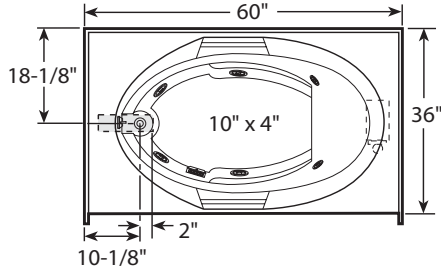
3. Todas las medidas vienen en pulgadas; para convertirlas a milímetros, multiplique por 25.4.

DIAGRAMAS EN PLANTA DE INSTALACIONES (RECTANGULAR)

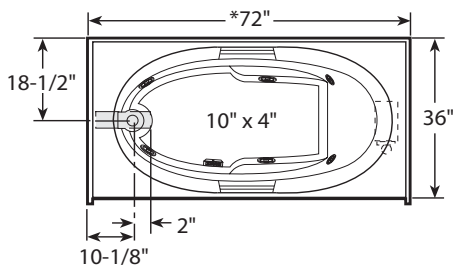
Nota: Las instalaciones de estas tinas van del lado izquierdo a menos que se especifique lo contrario. En las tinas derechas van del lado contrario.



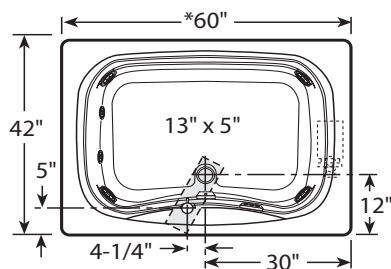
NOVA 536



NOVA 536 CON FALDÓN INTEGRADO

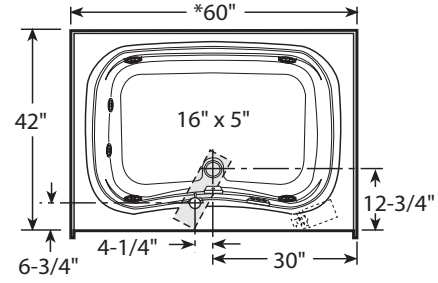


NOVA 636 CON FALDÓN INTEGRADO



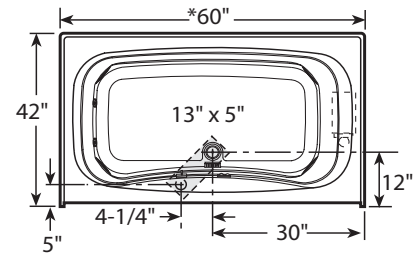
(Mano derecha mostrado. La mano izquierda es una imagen del espejo.)

SIGNA 5



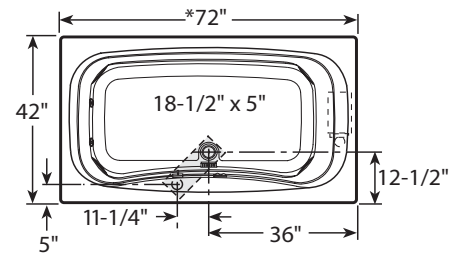
(Mano derecha (como mostrado) solamente)

SIGNA 5 CON FALDÓN INTEGRADO



(Mano derecha mostrado. La mano izquierda es una imagen del espejo.)

SIGNA 5 CON PESTAÑA DE 3 LADOS



(Mano derecha mostrado. La mano izquierda es una imagen del espejo.)

SIGNA 6

*Añada 1/4" a esta medida al instalar las unidades de 3 muros.

Nota: 1. LAS DIMENSIONES EN GENERAL SON NOMINALES CON UNA TOLERANCIA DE +0 Y -1/4".

2. Las medidas que aparecen adentro de la unidad representan el corte necesario en el piso para la instalación de desagüe/rebosadero.

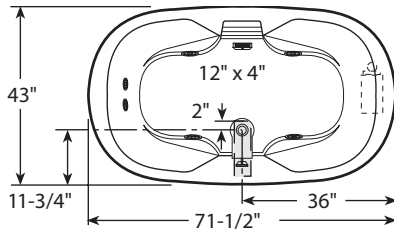
3. Todas las medidas vienen en pulgadas; para convertirlas a milímetros, multiplique por 25.4.

DIAGRAMAS EN PLANTA DE INSTALACIONES (OVALADAS)

Nota: Las instalaciones de estas tinas van del lado izquierdo a menos que se especifique lo contrario. En las tinas derechas van del lado contrario.

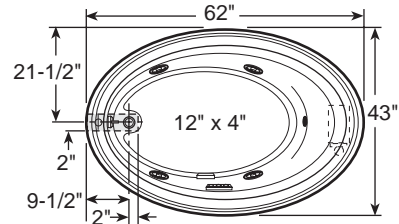
Estas unidades se han proporcionado con plantillas de recorte incluidas en el envío el cartón.

Vea información de RECORTE para cada modelo en la página 4.

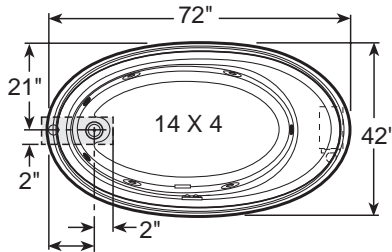


(Mano derecha mostrado. La mano izquierda es una imagen del espejo.)

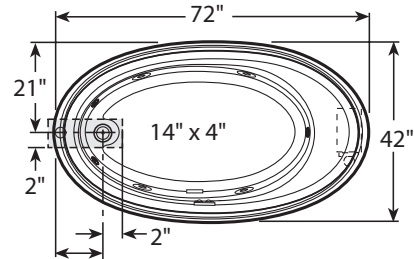
FRESCO



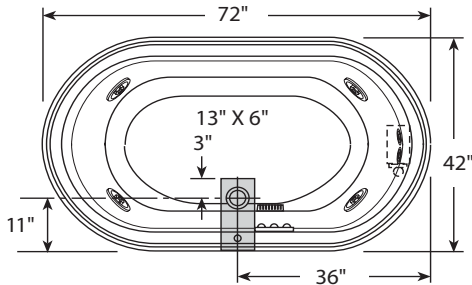
GALLERY 5 OVAL



GALLERY 6 OVAL

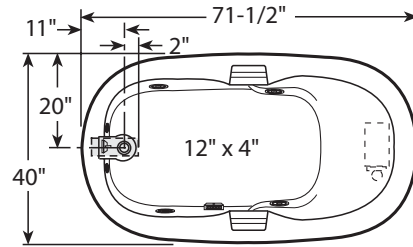


GALLERY 6 OVAL

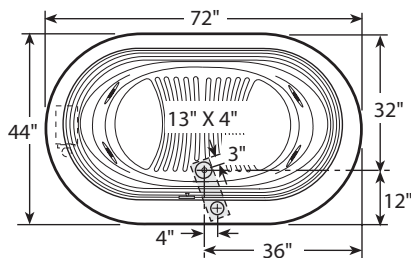


(Mano derecha (como mostrado) solamente.)

LUNA

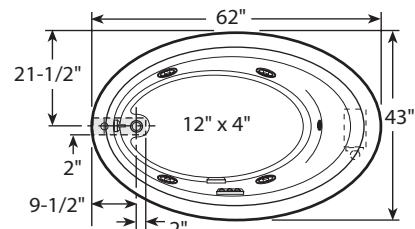


MILANO



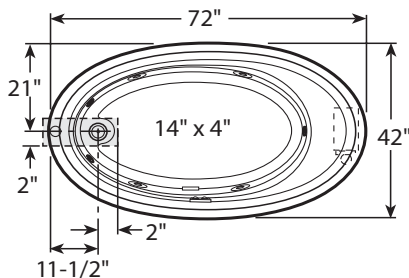
(Unidad izquierda)

OPALIA



(Mano izquierda (como mostrado) solamente)

RIVA 5



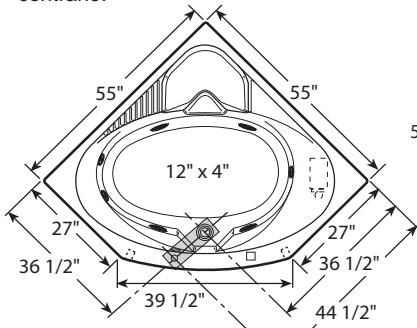
RIVA 6

NOTA: LAS DIMENSIONES EN GENERAL SON NOMINALES CON UNA TOLERANCIA DE +0 Y -1/4".

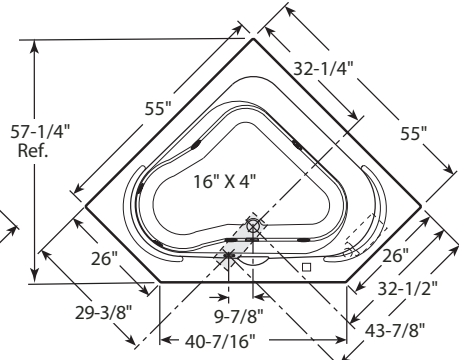
DIAGRAMAS EN PLANTA DE INSTALACIONES (ESQUINA)

Nota: Las instalaciones de estas tinas van del lado izquierdo a menos que se especifique lo contrario. En las tinas derechas van del lado contrario.

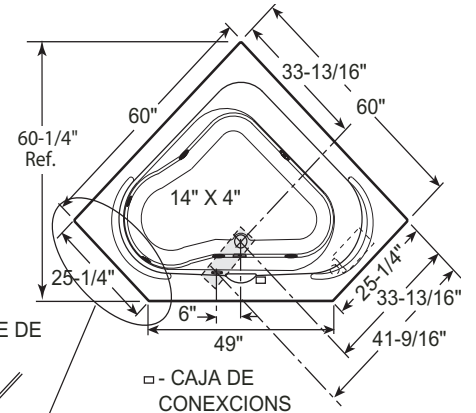
ESPAÑOL



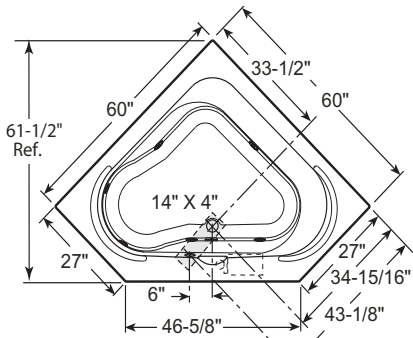
⊘ - 2" x 4" MURO
 □ - CAJA DE CONEXIONES
 (Mano derecha (como mostrado) solamente)
CAPELLA 55



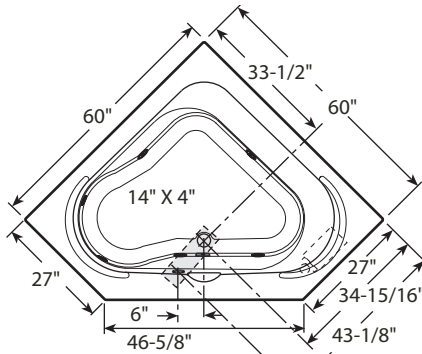
□ - CAJA DE CONEXIONES
 (Mano derecha (como mostrado) solamente)
CAPELLA 55 CON FALDÓN INTEGRADO



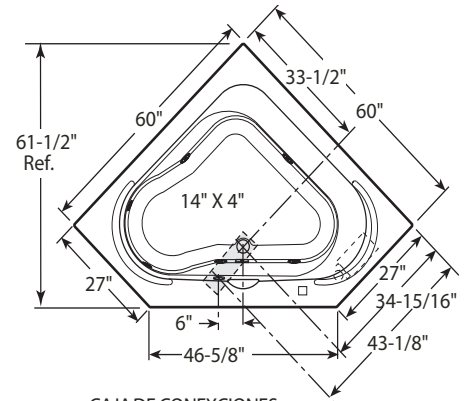
REBORDE DE AZULEJO
 □ - CAJA DE CONEXIONES
 (Mano derecha (como mostrado) solamente.)
CAPELLA SPACESAVER



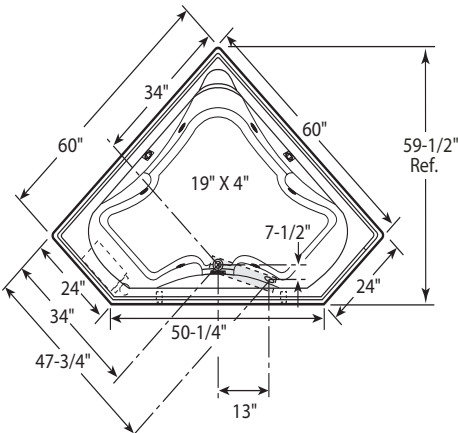
(Mano derecha mostrada.)
CAPELLA 60 Motor/Bomba Delantero Izquierdo



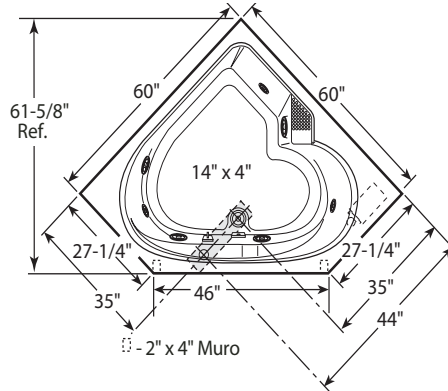
(Es izquierda o derecha según la ubicación de la bomba.)
 (Mano derecha como mostrado.)
CAPELLA 60



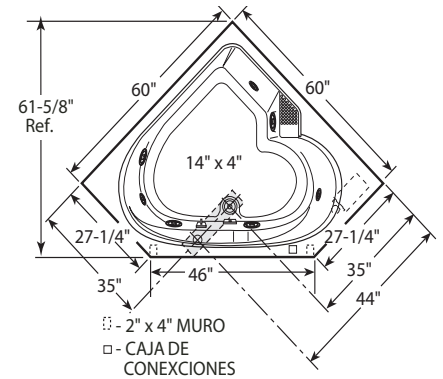
□ - CAJA DE CONEXIONES
 (Mano derecha (como mostrado) solamente)
CAPELLA 60 CON FALDÓN INTEGRADO



⊘ - 2" x 4" MURO
 (Mano derecha mostrado. La mano izquierda es una imagen del espejo.)
GALLERY DE ESQUINA



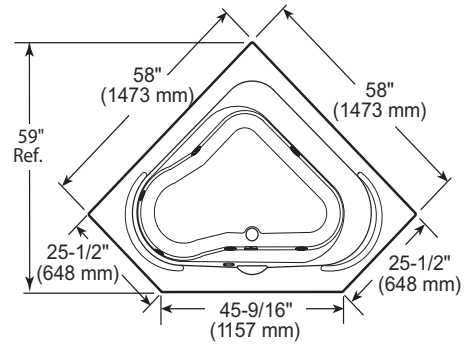
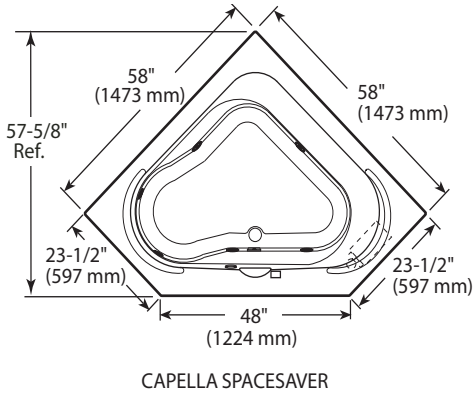
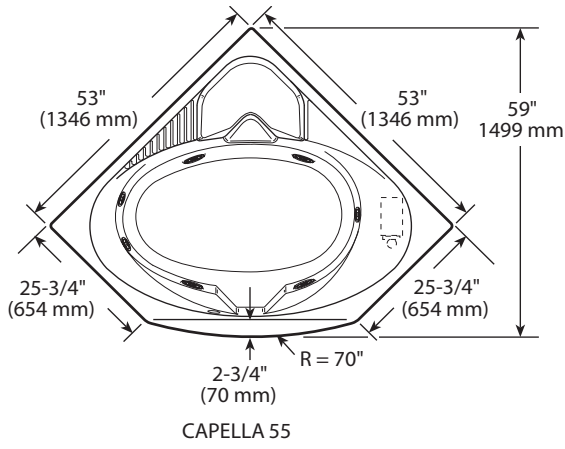
(Mano derecha mostrado. La mano izquierda es una imagen del espejo.)
TARA



⊘ - 2" x 4" MURO
 □ - CAJA DE CONEXIONES
 (Mano derecha mostrado. La mano izquierda es una imagen del espejo.)
TARA CON FALDÓN INTEGRADO

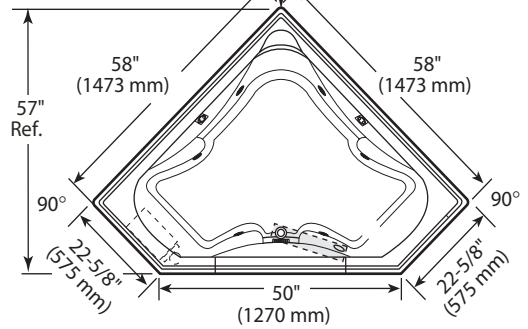
NOTA: LAS DIMENSIONES EN GENERAL SON NOMINALES CON UNA TOLERANCIA DE +0 Y -1/4".

DIAGRAMA EN PLANTA DE TINAS DE ESQUINA

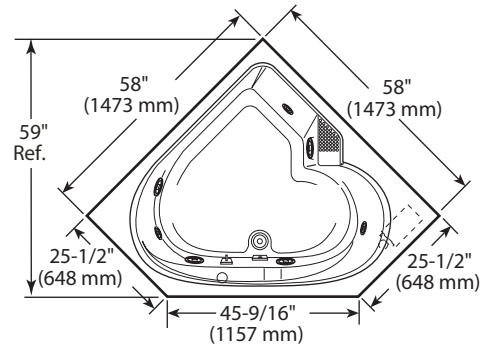


CAPELLA 60
CAPELLA 60 Motor/Bomba Delantero Izquierdo
(Posición de motor/Bomba no mostrada.)

3" RINCÓNES DE RADIO
(5 LUGARES)



GALLERY DE ESQUINA



TARA

INSTRUCCIONES DE INSTALACIÓN

Estructura y Soporte

La instalación del desagüe y el rebosadero se extiende por debajo de la parte inferior de la tina. Cabe señalar que para esto se requiere hacer un corte en el piso.

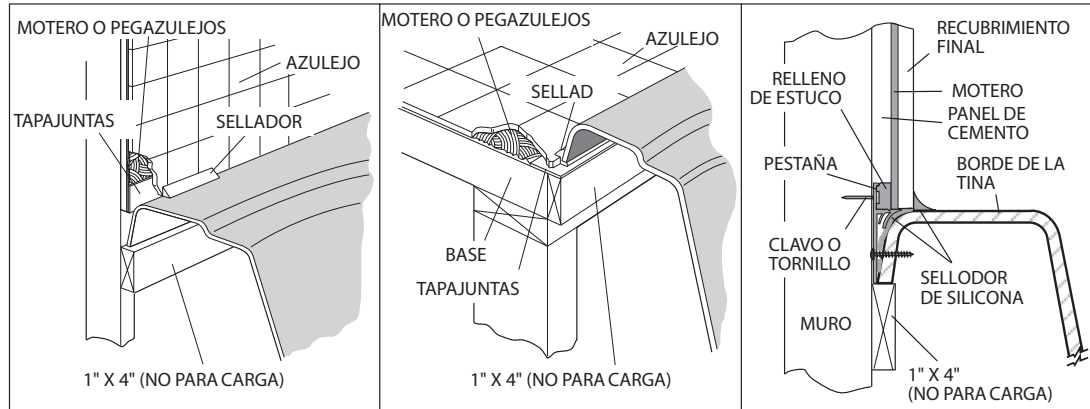
La estructura del piso, debajo de la tina, debe poder soportar el peso total de la tina, el agua, y el ocupante. Referirse al cuadro correspondiente al peso total de su modelo. La unidad tiene que estar soportada por la parte inferior de la tina y no del borde de la tina o de la pestaña. Si el subfloor es plano y una superficie continua, ninguna otra preparación es necesaria. Ud. puede continuar con la instalación de la tina. Si el subsuelo no está nivelado, Ud. tiene que nivelar toda la superficie antes de instalar la tina. El uso de materiales que rellenan o permiten una instalación a nivel, son permitidos siempre y cuando el método que se use, garantice una tina nivelada, que esté sujeta por debajo. Las materias que se pueden utilizar son un piso que nivela compuesto, el mortero, el yeso o la expansión mínima espuma estructural que tiene una densidad de un mínimo de 5 lbs. /pies cúbicos; sin embargo el baño debe quedarse el nivel en la orden para lo desaguar apropiadamente y todos pies de espuma deben hacer el contacto repleto con la materia que nivela. Ambos lados de la junta o empalmes del subsuelo deben estar nivelados. **Cuando fije las tinas al muro utilizando pestañas, use planchas de relleno para rellenar cualquier espacio entre las pestañas de la tina y el muro.**

El borde de la tina no está hecho para soportar peso. Si el material de recubrimiento va a estar en contacto con la tina o sobrepuesto, el peso adicional no debe recaer sobre ella.

El plástico protector debe permanecer dentro de la tina durante la instalación. Antes de la instalación remueva el plástico, inspeccione que la tina no tenga algún daño o defecto, aplique el plástico de nuevo este protege la superficie de daños como de zapatos, herramienta, etc. Removerlo al final de la instalación y limpieza final.

Importante: Si se ha de utilizar un faldón, éste deberá instalarse cuando se está instalando la unidad - Refiérase a las instrucciones de instalación de faldón. Cuando se haya completado todo la instalación, instale las partes opcionales de las vestiduras.

INSTALACIONES TÍPICAS



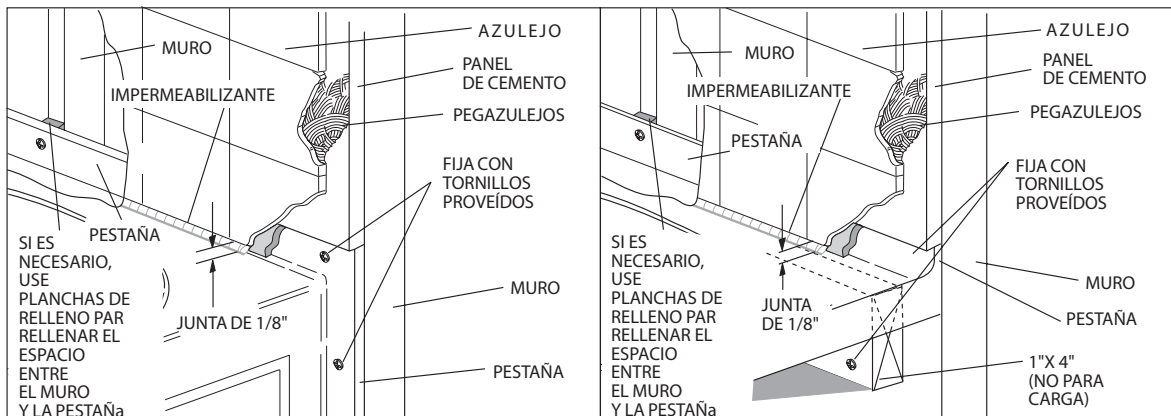
AL RAS DEL MURO

SEMIEMPOTRADA

PAQUETE OPCIONAL DE PESTAÑA

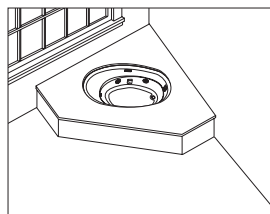
NOTA: EN el Riva 5 y Riva 6, la instalación de cañerías de la descarga extiende levemente más allá del borde de baño. Al instalar cualquier baño como semisunken, baja el lado bomba/motriz en primero en el recorte.

DETALLE DEL MONTAJE DE PESTAÑA TÍPICO

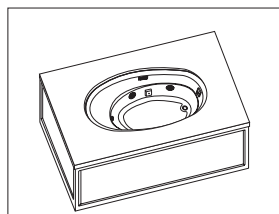


OPCIONES de INSTALACION de UNDERMOUNT

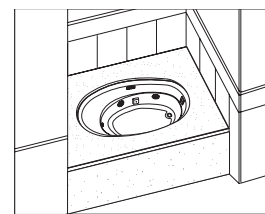
El undermount da la oportunidad de ser flexible en el diseño y la ubicación del baño. Los ejemplos se muestran para instalaciones posibles. Refiérase a páginas 17-18 para instrucciones de instalación de undermount.



RINCON



LIBERTE la POSICION



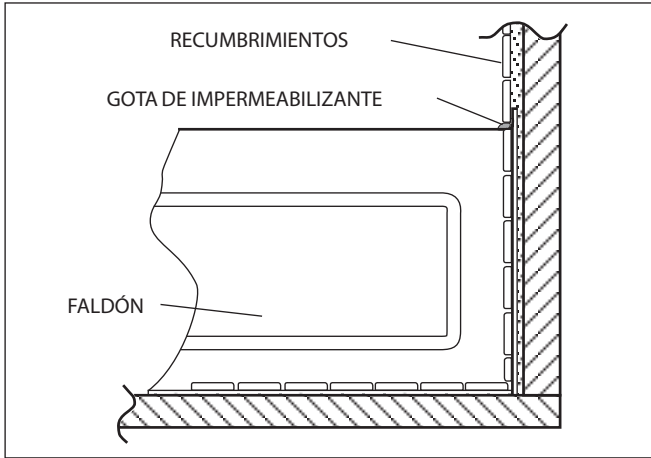
NICHOS

FALDÓN

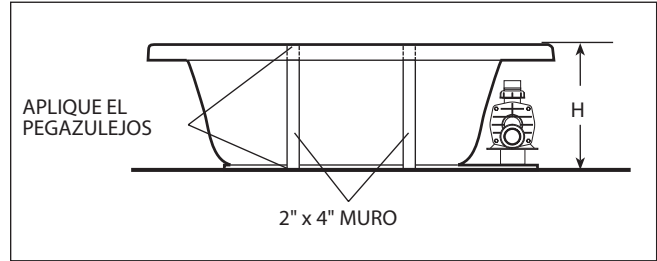
Tinas de Esquina con Faldón

Si se usa faldón en la tina de esquina, es necesario contar con mayor soporte en la parte frontal de la unidad. Mida la altura del piso a la parte inferior del borde de la tina. Corte dos muros de 2" x 4", aplique el pegazulejos en ambos extremos e instale (Véase el Diagrama de Instalación).

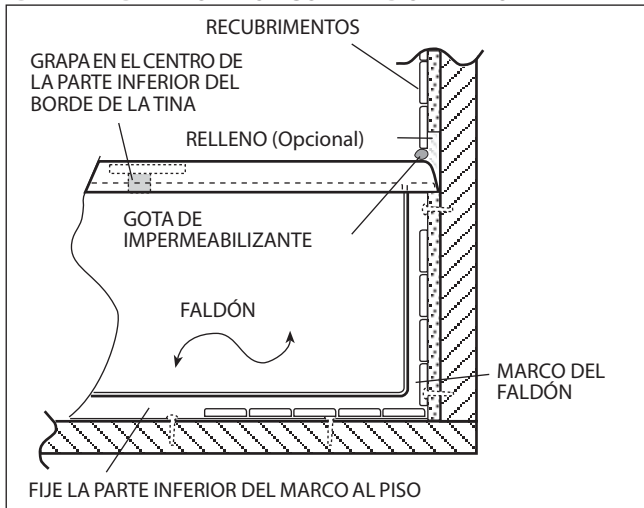
DETALLE DEL MONTAJE CON FALDÓN INTEGRADO



SOPORTE PARA TINAS DE ESQUINA

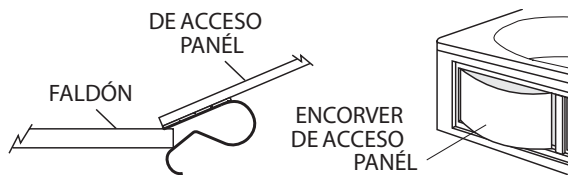


DETALLE DEL MONTAJE CON FALDÓN EN "U"

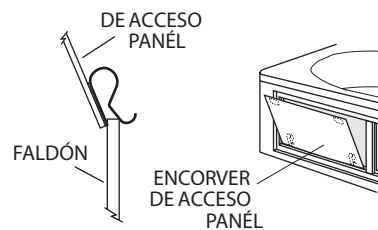


Reinstalación del Panel

Sostenga el panel a un ángulo a la falda y mete la grapa bajo el borde. Encorve el panel exterior y mete el grapa de la aberturade la falda al otro lado.



O clips de resbaladero sobre labio inferior de apertura de falda e inclinación arriba hasta que las etiquetas de velcro hagan el contacto.



Acceso para Servicio

En el caso de instalaciones parcial o totalmente empotradas, deje un acceso a las conexiones. Es responsabilidad del instalador dejar espacio suficiente para el registro. Las medidas mínimas recomendables para el registro de la tina se muestran en la ilustración que lleva el nombre de "Registros".

Provee área adecuada al rededor de la tina para circulación de aire para enfriamiento del motor y para proveer aire suficiente a los chorros. No ponga aislamiento en este área o al rededor del motor.

Acceso opcional de Servicio de RapidHeat

Donde tinas se han ordenado con la calentadora opcional de RapidHeat considera un acceso adicional del servicio.

Si el acceso del servicio no se ha proporcionado, es la responsabilidad de propietarios para quitar el baño y proporcionar el acceso requerido, debe una reparación llega a ser necesario.

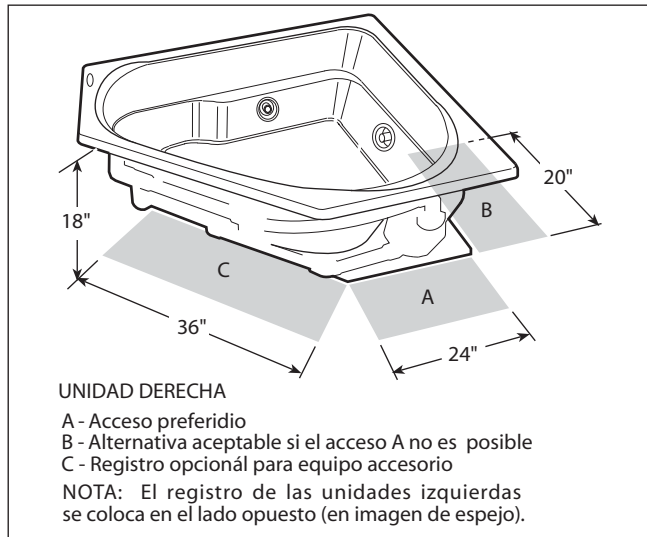
Acceso con Faldón

Se puede colocar un faldón opcional a lo largo de la tina para cubrir las instalaciones sobre el nivel del piso y usarlo también como acceso para dar servicio a las instalaciones. Para poder retirar el faldón, deje un espacio de por lo menos 8 pulgadas con respecto a la tina.

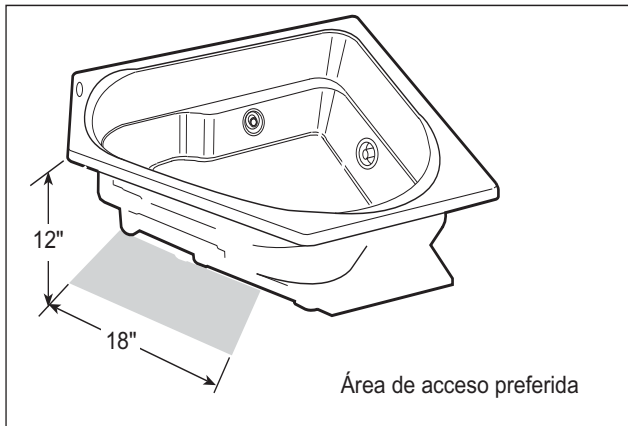
El diseño del faldón permite colocarlo al ras del suelo cubriendo hasta 1-1/4" de la orilla de azulejos, linóleo u otros recubrimientos utilizados en el piso.

El faldón opcional incluye instrucciones de instalación más detalladas.

ACCESO PARA SERVICIO (TINAS DE ESQUINA)



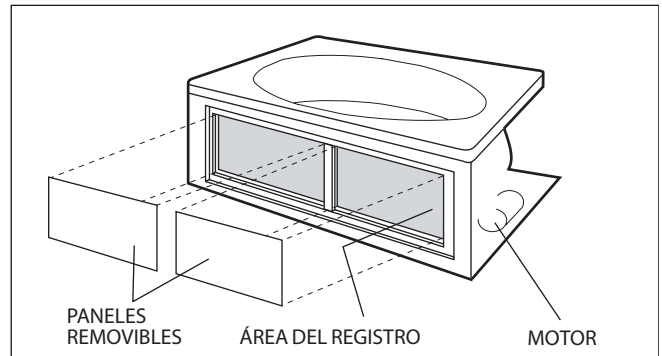
ACCESO PARA SERVICIO (BG55 BAÑO DE ESQUINA de CAPELLA SÓLO)



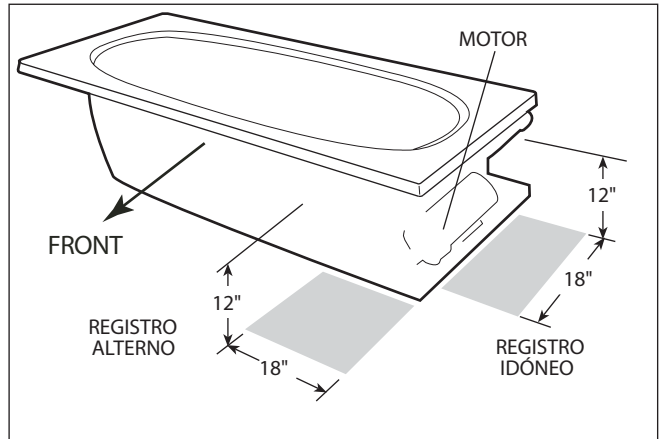
Acceso Faldón Integrado

En este caso se tiene acceso a las instalaciones por los paneles removibles del faldón.

ACCESOPARA SERVICIO (CON FALDÓN INTEGRADO)



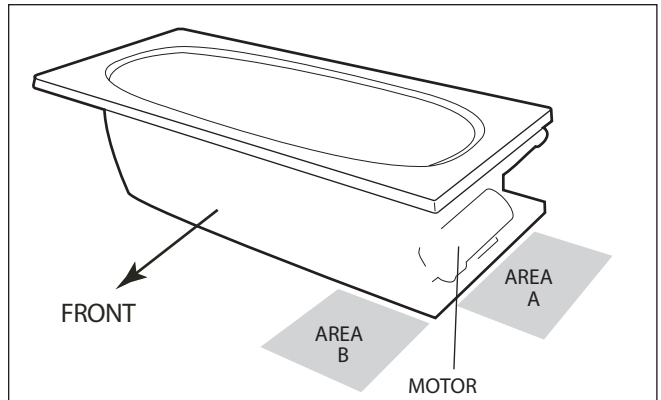
REGISTROS (SIN FALDÓN)



En algunos casos, puede que no se haya proporcionado acceso debido al diseño de la tina y teniendo completo entendimiento de que en este caso, pueda que sea necesario retirar la unidad para obtener servicio.

Si así fuera el caso, no será posible diagnosticar un problema sin tener completo acceso al sistema de plomería. Esto requiere remover la unidad completa. A pesar de que esta práctica no es implementada comunmente, es un método aceptable.

ACCESO PARA SERVICIO



En algunos casos el acceso puede haber proveído en el Area A, pero el servicio es requerido en el Area B, lo que reuquiere que la unidad sea removida para obtener servicio y luego ser reinstalada.

Si no se ha proporcionado un acceso para obtener servicio, es la responsabilidad del dueño de la casa el remover la tina y proporcionar el acceso requerido, en caso de necesitarse reparación de la unidad.

Conexiones Eléctricas

Se requiere un circuito independiente protegido con un interruptor de circuito para fallas a tierra (ICFT). Instale un contacto dúplex en el muro debajo de la tina, por lo menos 4 pulgadas arriba del piso. No se incluye el contacto dúplex porque están fabricadas con un seguro y cómodo interruptor ON/OFF Magic Touch. Estas unidades no necesitan interruptor o cronómetro apartado un cronómetro opcional de 115 VAC se puede comprar de Jacuzzi Whirlpool Bath.

PELIGRO: RIESGO DE DESCARGA ELÉCTRICA. Conecte la unidad solamente a un circuito protegido con un ICFT.

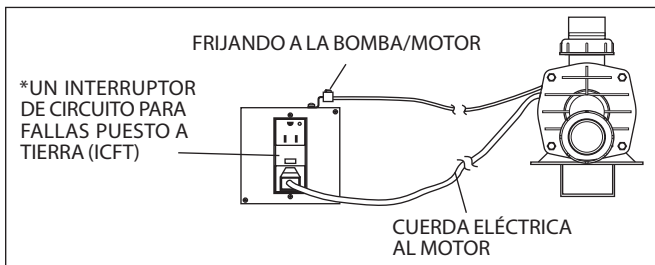


PRECAUCIÓN: El motor o la bomba pueden sufrir fugas y daños permanentes si se operan sin agua suficiente en la tina. Antes de aplicar la energía eléctrica a la instalación, asegúrese de que el interruptor esté en la posición "OFF" para evitar que se dañe la bomba.

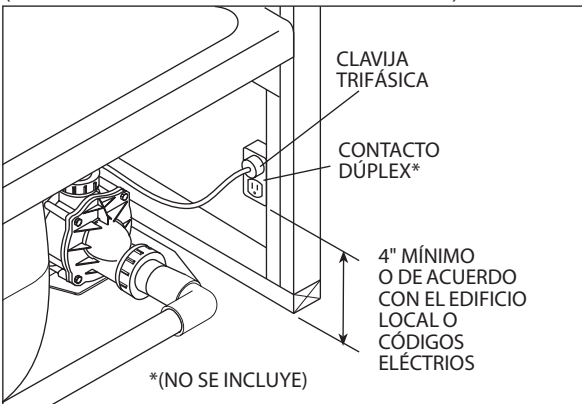
Con los baños hidroterapéuticos Capella 55 con falda integra, Capella 60 con falda integra, Capella Spacesaver con falda integra, y Tara con falda integra, se provee una caja de conexiones. Para obtener acceso a esta conexión, quite el panel de acceso de la falda. Véa los dibujos desde encima para localizar la caja de conexiones.

Una toma de electricidad separada y protegida por GFCI* es requerida (y no proveída) para la bomba/el motor. Hay que instalar esta toma en la caja de conexiones. Esta caja requiere una conexión eléctrica permanente. El motor es pegado a la caja de conexiones en la fábrica.

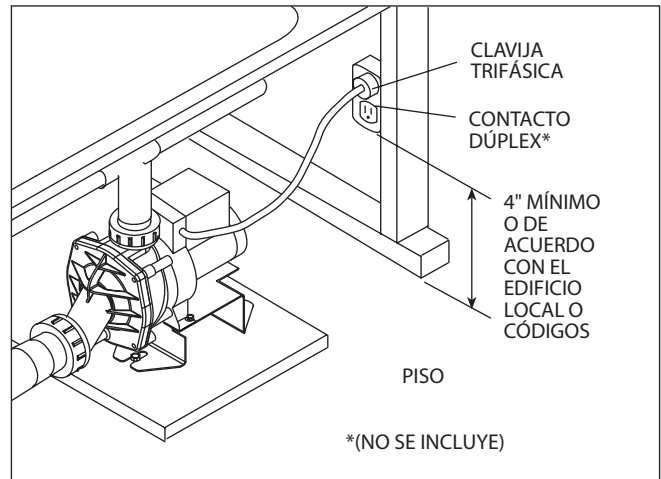
CAPELLA 55, CAPELLA 60, CAPELLA SPACESAVER & TARA CAJA DE CONEXIONES



CONEXIÓN ELÉCTRICA (PARA TINAS CON DRENAJE LATERAL O EN FRENTE)



CONEXIÓN ELÉCTRICA (PARA TINES DE ESQUINA)



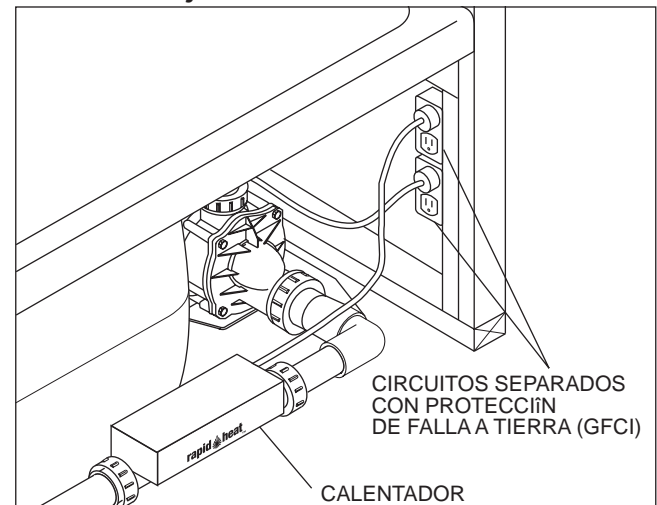
Conexión Eléctrica RapidHeat

Antes de hacer la conexión eléctrica, inspeccione la placa de identificación del calentador para determinar si es una unidad de 120 VAC o de 240 VAC.

Instale un rompecircuito o disyuntor separado de 120 VAC 15 AMP, o de 240 VAC 15 AMP (unidad de 240 VAC no disponible en U.S.A.), para tener un circuito dedicado con protección de fallas a tierra (GFCI). Use un alambre sólido de cobre, calibre #8, para conectar la caja metálica del calentador al panel eléctrico de la casa o a una conexión local aprobada. El calentador está provisto con un terminal de conexión de tierra.

Cuando vaya a operar el calentador por primera vez, y antes de cada uso de ahí en adelante, oprima el botón GFCI con la energía eléctrica encendida (ON). El botón de reposición debe saltar hacia afuera. Oprima este botón para reposicionar el interruptor. Si el interruptor falla en su funcionamiento de la forma indicada, es porque hay alguna corriente de tierra circulando o el dispositivo está defectuoso, lo que indica la posibilidad de un choque eléctrico. **Apa- gue la energía eléctrica y no use el baño hasta que la causa del problema haya sido identificada y corregida.**

CONEXIÓN ELÉCTRICA RAPIDHEAT



Plomería y Suministro de Agua

Información Sobre el Drenaje

Debe instalarse una unidad de drenaje/rebosadero (se vende separado) en la tina, verificar que no presente fugas y conectarse al sistema sanitario de la casa. Después de abrir la caja de cartón, verifique que no hay daños y revise el acabado. En la unidad de drenaje/rebosadero de Jacuzzi Whirlpool Bath, la pestaña, el filtro, la placa protectora de reboso y los tornillos de la placa vienen en un paquete por separado para proteger el terminado. Siga las instrucciones de instalación incluidas en su unidad de drenaje/rebosadero.

Después de haberse instalado todo el drenaje, revise si éste está funcionando adecuadamente. Si la unidad no drena adecuadamente, rectifique esta condición antes de proceder con la instalación. Jacuzzi Whirlpool Bath no es responsable por gastos de remoción o reinstalación de las tinas.

NOTA: Es responsabilidad del instalador que las conexiones no presenten fugas. La garantía de Jacuzzi Whirlpool Bath de este producto no cubre fugas en el drenaje.

Plomería

La bomba, los chorros y los dispositivos de succión para el sistema hidroterapéutico se aploman en la fábrica en tubería de PVC clasificación 40.

Todos los productos Jacuzzi Whirlpool Bath se prueban en la fábrica antes de embarcarse para verificar que funcionen correctamente y que las conexiones no tengan fugas. Si detecta fugas, consulte Jacuzzi Whirlpool Bath y no instale la unidad.

Suministro de Agua

Pregunte a las autoridades locales cuáles son los requisitos que debe cumplir la instalación de plomería de acuerdo con la zona en que va a instalarse la unidad.

IMPORTANTE: Es responsabilidad del instalador colocar correctamente la plomería del surtidor de llenado y cumplir con las normas correspondientes. Jacuzzi Whirlpool Bath no garantiza las conexiones del suministro de agua, de la tubería, de los sistemas de llenado o de desagüe. Tampoco es responsable de los daños sufridos por la tina durante la instalación.



PRECAUCIÓN: Para que la tina no sufra daños durante los trabajos de soldadura, coloque una barrera protectora anti-inflamable.

Limpeza Después de la Instalación

Para evitar que la superficie de la tina se raye o pierda brillo, no use limpiadores abrasivos, sino detergentes líquidos suaves.

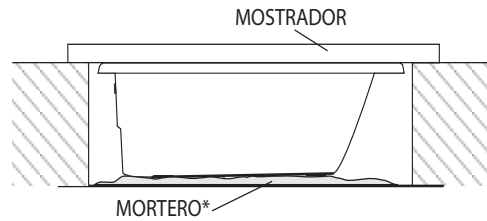
Retire los residuos de estuco con una pieza de madera o plástico. Las herramientas de metal rayan la superficie. Las manchas producidas por el estuco o el mortero pueden eliminarse frotando suavemente la superficie con un trozo de tela o una esponja con detergente.

Será necesario volver a aplicar el terminado de la tina si las rayaduras y estrías son tan profundas que penetran la superficie acrílica. Pida Jacuzzi Whirlpool Bath un folleto de instrucciones.

INSTRUCCIONES de INSTALACION de UNDERMOUNT

Instalación

Una instalación típica tendrá estas características de la construcción.



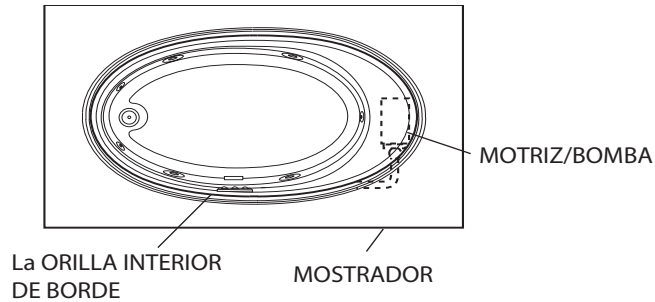
*EL MORTERO DEBE ESTAR EN el CONTACTO CON TODOS PIES de ESPUMA

Protección de Unidad

Si la película protectora se ha quitado, reapply película. Para la protección agregada, coloque una tela de gota u otra materia en el fondo del baño para la protección. Tenga cuidado para no rasguñar la superficie del baño.

Preparación Contraria

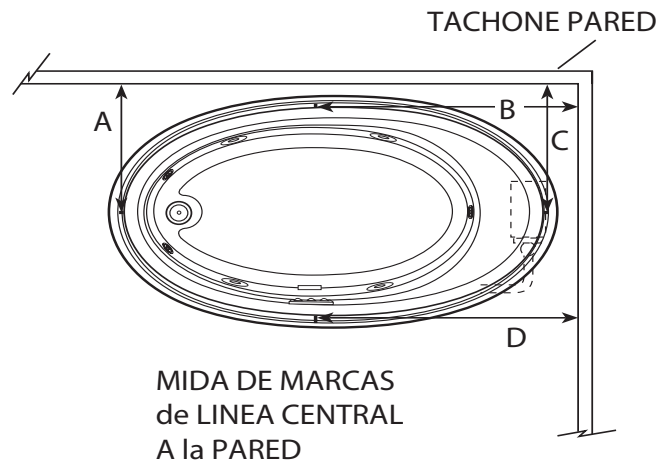
NOTA: En el lado bomba/motriz del baño, el mostrador debe extender un mínimo de 4" pasada la orilla exterior del baño, para vaciar el extender bomba/motriz de instalación de cañerías más allá del borde del baño.



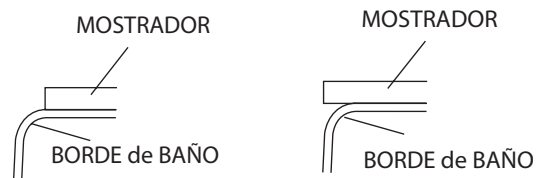
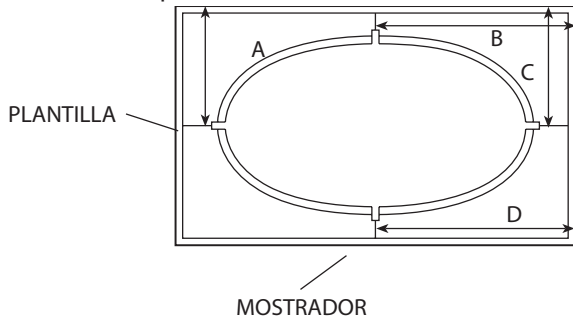
Posicione la plantilla para que el óvalo de recorte alinee con la orilla de borde.



En esta posición, utilizando un lápiz de grasa, la marca en el baño las posiciones centrales de la línea por el corte fuera ranuras. Quite plantilla. La medida de líneas centrales marcadas a un punto fijo tal como una pared.



Transfiera estas medidas para contradecir y marcar las posiciones centrales de líneas. La plantilla de la posición y el corte contra para la desviación deseada.

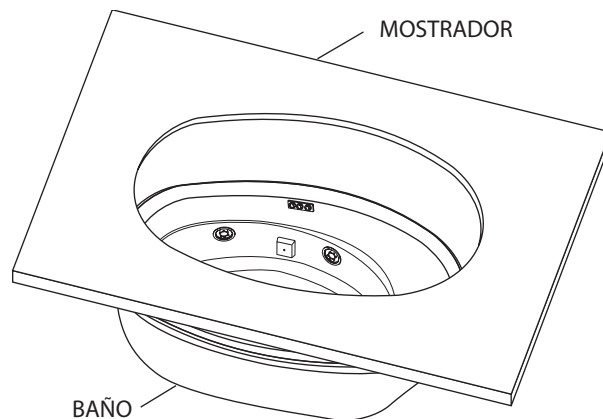


OFFSET

Después que cortar es completo, realiza cualquier dirigir necesitado, el trabajo de la orilla o el pulido al mostrador.

INSTRUCCIONES de INSTALACION de UNDERMOUNT

Posicione el mostrador encima del baño para asegurar el ataque y la apariencia correctos. La marca cualquier ajuste que puede ser necesario. Quite el mostrador.

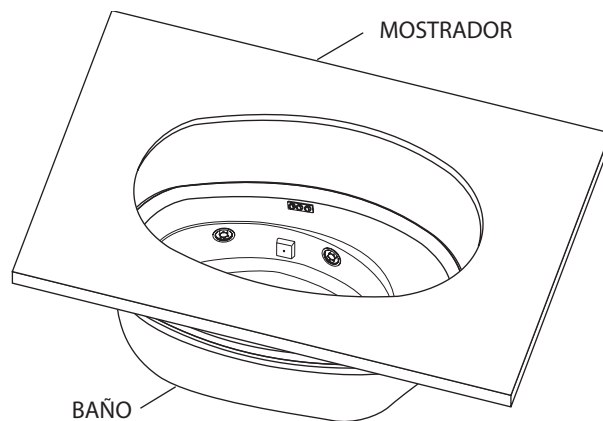
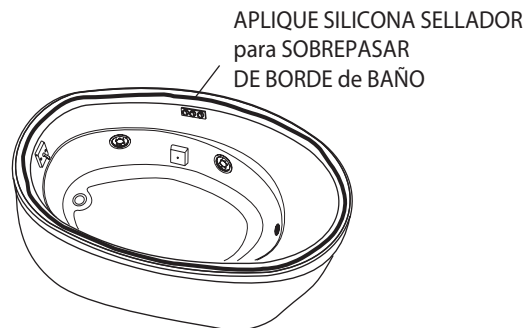


Que Adhiere Contra al Baño

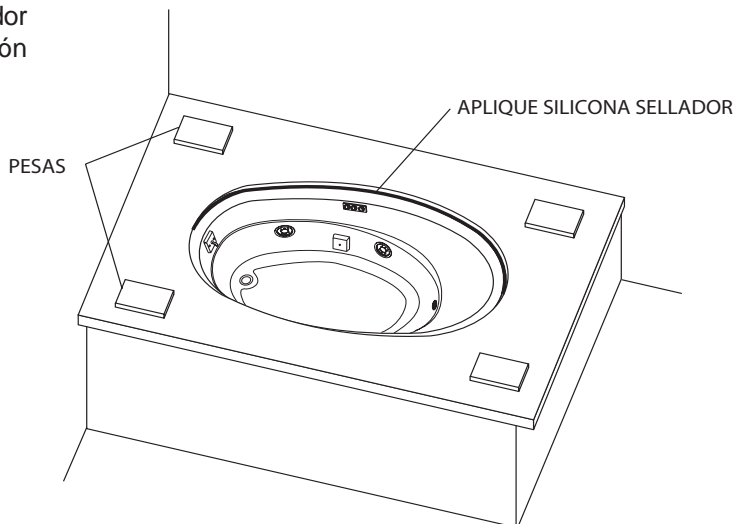
Limpie cualquier tierra o los escombros del borde del baño. No utilice la tintorería abrasiva. Dónde el mostrador hará el contacto con la cima del borde del baño, aplica una cuenta de sellador de silicona.

CUIDADO: no utiliza un adhesivo ni sellador adhesivo para asegurar el mostrador al borde del baño. Si la conservación o modelar de nuevo se requieren el mostrador quizás se tenga que quitar. El adhesivo vinculará permanentemente el mostrador al baño. Esto hará la eliminación difícil y costosa y puede causar el daño al mostrador o el baño.

Posicione con cuidado el mostrador en el borde del baño. El mostrador necesitará ser tenido en el lugar mientras el sellador cura. Siga las instrucciones del fabricante para determinar tiempo requerido para curar.



Aplique una cuenta continua de sellador de silicona alrededor de la costura entera entre el borde de mostrador y baño. Permita sellador para pelar sobre o el curación antes de limpiar el mostrador o el baño.



INSTRUCCIONES OPERADORAS

OPERACIÓN

Nota: Estas instrucciones se aplican a todos los productos para baño fabricados por Jacuzzi Whirlpool Bath. No todas las características descritas en el folleto de instrucciones se aplican a todas las tinas.

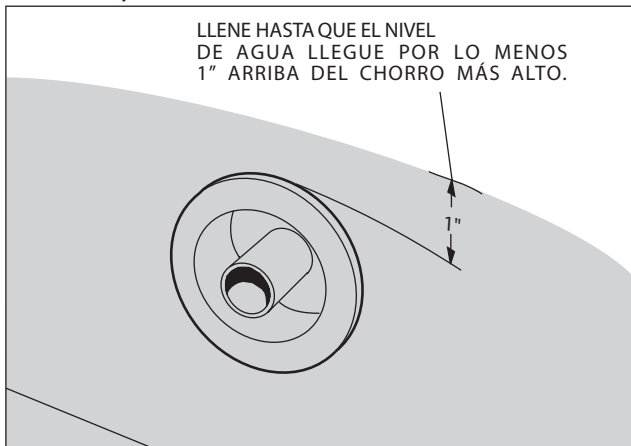
Todas las tinas fabricadas por Jacuzzi Whirlpool Bath están diseñadas para "llenarse y vaciarse," lo que significa que la tina debe vaciarse después de usarse y que la siguiente persona que la utilice deberá llenarla con agua limpia. Ésta es una medida de higiene, ya que estas tinas no están diseñadas para estar llenas de agua constantemente como una alberca o una tina de exteriores. Si usted quiere una unidad diseñada para sostener continuamente el agua, póngase en contacto con su distribuidor de Remolino de Jacuzzi para la línea completa de unidades de remolino disponibles.

Una vez instalada la tina, retire cualquier residuo o material extraño que haya quedado de la construcción. Use trementina o diluyente para eliminar manchas y residuos difíciles de pintura o alquitrán. Otros tipos de residuos pueden eliminarse con un trozo de tela humedecido con detergente líquido. Frote ligeramente la superficie con una pieza de madera o plástico para retirar los residuos de estuco; no use lijas metálicas, cepillos de alambre u otras herramientas de metal porque dañarán la superficie de la tina.

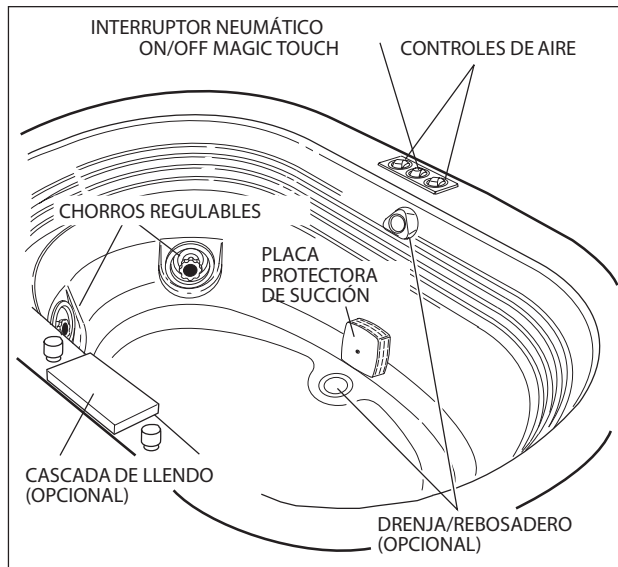
Nivel del Agua

Cierre el desaguadero y llene el baño hasta que agua sea por lo menos 1" encima del chorro más alto (ve línea de flotación indicada en la ilustración). **No prenda el sistema de remolino en tiempo si los chorros no se sumergen completamente en el agua. No sumerja el tablero de control saturando el baño.** Correr el sistema de remolino cuando hay agua insuficiente en el baño podría tener como resultado rociar de agua fuera del área del baño. Correr el sistema de remolino sin agua dañará la bomba que recircula.

No sumerja el tablero de control saturando el baño.



ACCESORIOS TÍPICOS PARA TINAS



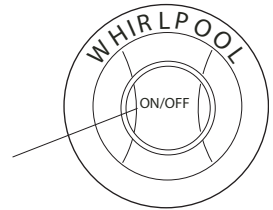
Interruptor Neumático Magic Touch®

El interruptor neumático ON/OFF Magic Touch, ubicado en una posición muy cómoda en la tina, le permite activar el sistema hidroterapéutico mientras se baña. Sólo oprima el botón del interruptor; para apagarlo, oprímalo nuevamente.

Si su tina cuenta con un cronómetro de pared Jacuzzi Whirlpool Bath, prográmelo el tiempo que desee operar el sistema hidroterapéutico. Nota: Cuando quiera que funcione sólo 10 minutos, haga girar el cronómetro a la derecha hasta pasar el número 10 y regréselo al número deseado. Si el sistema hidroterapéutico no se activa habiendo programado correctamente el cronómetro, será necesario oprimir el botón del interruptor Magic Touch.

INTERRUPTOR MAGIC TOUCH

OPRIMA EL CENTRO ON/OFF



RapidHeat

Operación

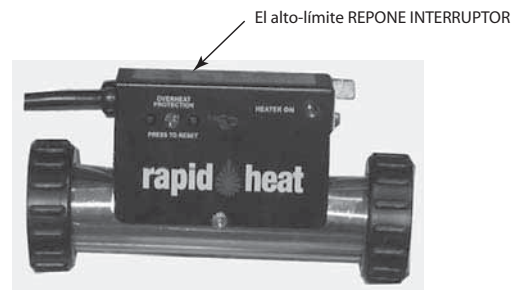
Una vez que el calentador esté instalado y la bomba de circulación de agua en remolino esté funcionando, la operación del calentador es completamente automática. El calentador ayudará a mantener la temperatura del agua de baño.

Interruptor del Vacío

El calentador está equipado con un interruptor preajustado de vacío que no permitirá que el calentador se encienda (ON) si la bomba no está funcionando con el agua fluyendo a través del sistema.

Interruptor de Límite Alto

El calentador incluye un interruptor exclusivo de límite alto. Este circuito de seguridad no se accionará falsamente por el agua caliente de la tubería de la casa. Su única función es apagar el calentador si falla el termostato. Si el alto-límite tropieza con frecuencia, contacta a su Proveedor de Internet Eléctrico/Mecánico Autorizado. Visite nuestro sitio web en <http://www.jacuzzi.com/> para encontrar a un Proveedor de Internet.



Cómo Controlar el Sistema Hidroterapéutico

El funcionamiento del sistema hidroterapéutico de la tina lo determinan tres factores: dirección del flujo, fuerza del agua y fuerza del aire. Todas las tinas fabricadas por Jacuzzi Whirlpool Bath están equipadas con chorros regulables PowerPro®, que pueden ajustarse con respecto a esos tres factores. Algunas tinas cuentan con chorros regulables sólo en cuanto a dirección y flujo del aire.

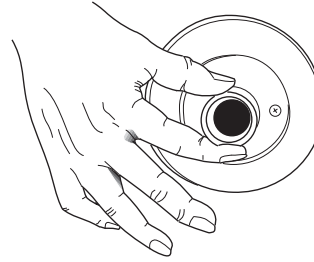
Instrucción: Para cambiar la dirección del flujo del agua, haga girar la boquilla del chorro hacia el ángulo deseado. Los chorros pueden dirigirse en forma independiente hacia cualquier parte del cuerpo y también pueden regularse para que apunten en la misma dirección (hacia la izquierda o hacia la derecha) a fin de mover el agua en forma circular para crear un efecto de remolino.

Fuerza del agua: Los chorros de alto volumen regulables pueden ajustarse para controlar la fuerza del agua que cae a la tina. Para incrementar la fuerza haga girar a la izquierda los controles de los chorros; para reducirla, hágalos girar a la derecha. **Nunca active el sistema hidroterapéutico si los chorros están cerrados.**

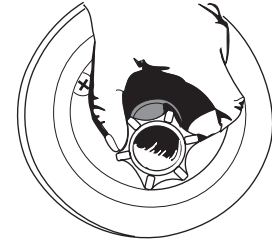
Fuerza del aire: La tina tiene dos perillas que sirven como controles del sistema de inducción de aire. La intensidad del hidromasaje depende de la cantidad de aire que se induzca en el agua. A medida que aumenta la cantidad de aire, se incrementa la fuerza del hidromasaje. Para lograr la máxima inducción de aire, haga girar los controles a la izquierda, hacia los círculos más grandes. Para disminuir las burbujas de aire, reduzca la inducción de agua haciendo girar los controles hacia la derecha. Cuando los controles se ajustan en los círculos más pequeños, sólo circula agua en la tina.

CHORROS

DIRIGIBLES

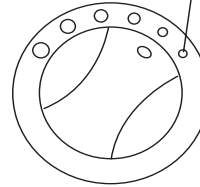


REGULABLES

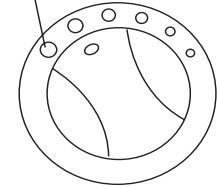


CONTROLES PARA INDUCCION DE AGUA

GIRE A LA DERECHA PARA DISMINUIR EL FLUJO DE AIRE



GIRE A LA ISQUIERDA PARA INCREMENTAR EL FLUJO DE AIRE



INSTRUCCIONES de CONSERVACION

Cómo Limpiar la Tina

Para limpiar la tina sólo use detergentes líquidos suaves, no abrasivos. Puede proteger y recuperar el brillo de la superficie acrílica aplicando terminados una cera acrílica de igual calidad o cera para pulir automóviles.

Nunca use limpiadores abrasivos para el hogar en ningún producto Jacuzzi Whirlpool Bath.

Reparaciones de la Superficie

Será necesario volver a aplicar el terminado de la tina si las rayaduras y estrías son tan profundas que penetran en la superficie acrílica. Pida a su distribuidor autorizado Jacuzzi Whirlpool Bath instrucciones especiales.

Purificación el Sistema de Tinas de Hydromasaje

NOTA: EL SISTEMA WHIRLPOOL DEBE PURIFICARSE POR LO MENOS DOS VECES AL MES

Para eliminar los residuos de tina, acumulados en el sistema hidromasaje, es recomendable limpiar el sistema de hidromasaje por lo menos dos veces por semana. Sin embargo, para obtener mejores resultados, le recomendamos que limpie su sistema después de cada uso, utilizando nuestro detergente exclusivo de dos partes, fabricado especialmente para baños hidromasajes.

"Systems Clean™" está disponible mediante nuestros Distribuidores autorizados de baños Jacuzzi Whirlpool o llamándonos directamente al 1-800-4002. Instrucciones para su uso: Inmediatamente después del baño, y después de salir de la tina, deje el agua en la tina y agregue agua caliente si es necesario, de tal modo que el agua se encuentre por lo menos 2" por encima del tubo de salida más alto. Active la unidad sin el aereador. Vierta el contenido del paquete 1 "Systems Clean" dentro de la tina, teniendo cuidado de no derramar el material sobre usted, próximo a la toma de la bomba de circulación. Repita ese mismo procedimiento con el paquete 2 de Systems Clean 2. **Para evitar un olor fuerte, es importante utilizar el paquete 1 antes que el paquete 2.** Haga correr agua en la tina de 5 a 10 minutos. Desagüe completamente y enjuague cualquier residuo.

Si Ud. ha seguido las instrucciones de limpieza de norma mencionadas, y todavía tiene un exceso de residuos de baño acumulado y por lo tanto desea un mecanismo alternativo de limpieza, recomendamos **SUPER SYSTEMS CLEAN PLUS**, manufacturado por Stearns Packaging para rectificar esta situación. Este producto se puede obtener contactándonos al 1-800-288-4002. Se recomienda que Ud. siga las instrucciones del fabricante incluidas con el producto. Pueda que sea necesario usar este producto repetidamente. **SUPER SYSTEMS CLEAN PLUS** no reemplaza la necesidad de limpiar el sistema periódicamente con Systems Clean, de acuerdo a las recomendaciones dadas.

(Para información adicional acerca del contenido y calidad de agua, comuníquese con nosotros para solicitar una copia de la Guía de Instrucción sobre la calidad de Agua de Jacuzzi, "Jacuzzi Water Quality Primer".)

Aditivos de Baño

NOTA: NO UTILIZE ADITIVOS DE BAÑO CON BASE ACEITOSA. Si Ud. desea utilizar cualquier clase de aditivo en el baño, utilice solamente una pequeña cantidad de polvo o sustancia cristalina de poca espuma, la acción de remolino intensifica las propiedades de hacer espuma de los jabones.

El uso de ciertos aceites de baño, baños de burbujas y aditivos de baño pueden incrementar el nivel de acumulación de residuos en el sistema de tinas de hidromasaje. Si los excesos de acumulaciones persisten, Ud. debe dejar de seguir usando estos productos.

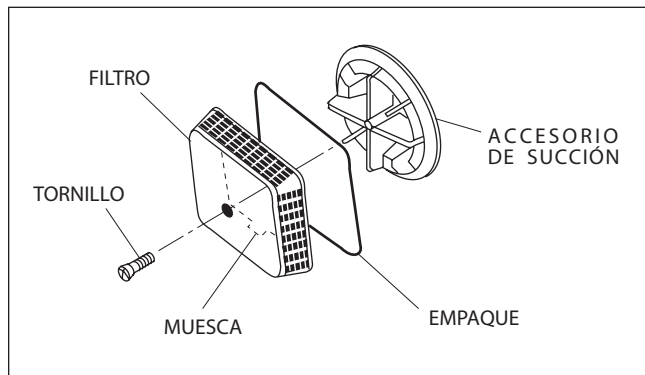
Placa Protectora de Succión/Mantenimiento del Filtro

Elimine los residuos de cabello y mugre acumulados en la placa protectora de succión y en el filtro cuando sea necesario. Para ello, retire el tornillo central y desmonte la placa cuadrada. Limpie los orificios de la placa con una descarga de agua. Cuando la reinstale oriente la placa y el filtro con la pequeña muesca en la parte inferior. El empaque debe insertarse en el surco de la placa/filtro antes de reinstalar el accesorio de succión.



PRECAUCIÓN: Cuando esté encendido el sistema hidroneumático, mantenga el cabello alejado del accesorio de succión aproximadamente 6 pulgadas. El cabello largo hasta los hombros debe llevarse recogido o cubierto con una gorra de baño. No encienda el sistema hidroterapéutico si la placa protectora no está en su lugar. Es un dispositivo de seguridad y siempre debe estar bien colocado para reducir al mínimo el riesgo de que el cabello o alguna parte del cuerpo queden atrapados.

PLACA PROTECTORA DE SUCCIÓN/FILTRO

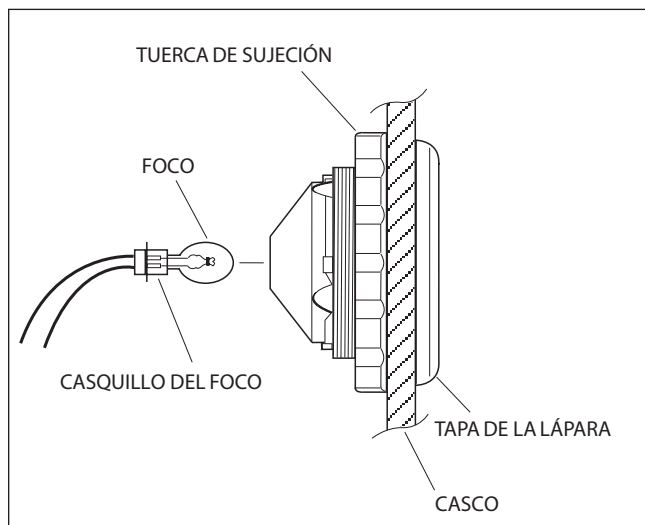


Lámpara

Pida a su distribuidor Jacuzzi Whirlpool Bath que le muestre las lámparas opcionales que pueden instalarse en su tina.

Cuando se funda el foco, retírelo de la parte posterior de la lámpara separándolo del casquillo, que se encuentra debajo del casco. Los focos de repuesto (12V, 7W) están disponibles con su distribuidor Jacuzzi Whirlpool Bath.

REPOSICIÓN DEL FOCO



Guía General de Reparación de Fallas Baños Hidroterapéuticos

ESPAÑOL

PROBLEMA	PROBABLES CAUSAS	SOLUCIÓN
Bomba/Motor no arranca.	No llega corriente a la bomba/motor.	Reconecte el GFCI.
	No está conectada la bomba/motor.	Insertar totalmente el enchufe en el tomacorriente.
	Interruptor Magic Touch Switch – El tubo de aire no está conectado al interruptor, o al interruptor de aire en la bomba/motor.	Reconectar el tubo al interruptor Interruptor Magic Touch Switch o al interruptor de aire de la bomba/motor.
	Bomba/Motor defectuosa.	Reemplace el ensamblaje de la bomba/motor.
Bomba/Motor funciona, pero los jets de agua no funcionan.	Los chorros de agua están cerrados.	Abra los chorros de agua rotando a la izquierda (contra el reloj).
	La cobertura de succión puede estar bloqueada.	Con el motor desconectado, retire la tapa de seguridad y quite toda basura. Vuelva a colocar la cobertura de succión antes de volver a operar el equipo.
Bomba/Motor funciona, pero el aire no se inyecta al agua.	Las válvulas de aire están cerradas.	Abra las válvulas de control de aire.
Bomba/Motor no se apaga.	Interruptor Magic Touch Switch – tubo de aire no está conectado al interruptor, o al interruptor de aire en la bomba/motor	Reconectar el tubo al interruptor Interruptor Magic Touch Switch o al interruptor de aire de la bomba/motor.
	Si se utiliza el cronómetro de pared, puede que éste esté defectuoso.	Reemplace el cronómetro.
Escape de agua en las uniones de la bomba.	Muy ajustados, aro tórico mal acoplado o mal colocado, mal ajustado.	Afloje los empalmes, revise y vuelva a colocar el aro tórico. Si el aro tórico ha perdido su forma, reemplácelo (refiérase al número de teléfono abajo). Cuando ajuste las tuercas de empalme, hágalo únicamente en forma manual.
Bomba/Motor se apaga por sí solo, o mediante el cronómetro, antes del tiempo fijado.	La protección termal del motor ha desactivado la bomba/motor, debido a sobrecalentamiento (suministro de voltaje bajo).	Deje enfriar el motor; la protección termal se volverá a conectar. Revise la existencia de ventilación apropiada. (Revise el suministro de voltaje.)
	GFCI desconectado.	Reconecte el GFCI. Si continua desconectándose, no utilice este equipo. Desconecte el equipo y haga que el problema sea arreglado por un electricista autorizado, antes de volver a utilizarlo.
	Cable de alimentación inadecuado.	Consulte con un electricista autorizado para corregir el cableado de la unidad.

Nota: Si el equipo está dentro del plazo de su garantía, contacte al Servicio de Apoyo de Jacuzzi Whirlpool Bath al (800) 288-4002, con el número de serie de la unidad antes de que se inicie el trabajo. El Número de serie se localiza en el Plato del Número de serie de la Especificación. Vea página 30.

PIEZAS DE REPUESTOS

(Al ordenar las partes substituyen un identificado por colores para el XXX.)

BMH JET



MONTAJE DEL EYECTOR
BMH
8489XXX



BOQUILLA DE RETENCION
8412XXX*

BOQUILLA BHM 8413XXX*

ARO TORICO 8488000

JUNTA TORICA INTERNA 8487XXX*

CUERPO EYECTOR 8411XXX*

CONTRATUERCA 8415000

TORNILLOS (2) 7514000

HTC JET



MONTAJE HTC B785XXX



TORNILLOS (2) 9356000

ANILLO DE SUJECION
B788XXX*

ROTULA HTC B788XXX*

EMPAQUETADURA 1840000

CUERPO HTC A320XXX*

ANILLO DE CONTRAMARCHA
1836000

CONTRATUERCA 1835000

***Partes individuales disponibles únicamente en:**

Blanco (940)

Almendra (914)

Ostión (969)

Montajes disponibles en todos los colores

Códigos de colores adicionales

Plateado (945)

Negro (917)

Rosa (949)

Concha (951)

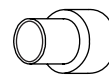
Verde Bosque (978)

Celeste (984)

Arena (999)



1/2" TAPON DE PERDIDA
T471000



ADAPTADOR, 1/2" S X SPGT
C279000

PIEZAS DE REPUESTOS

(Al ordenar las partes substituyen un identificado por colores para el XXX.)

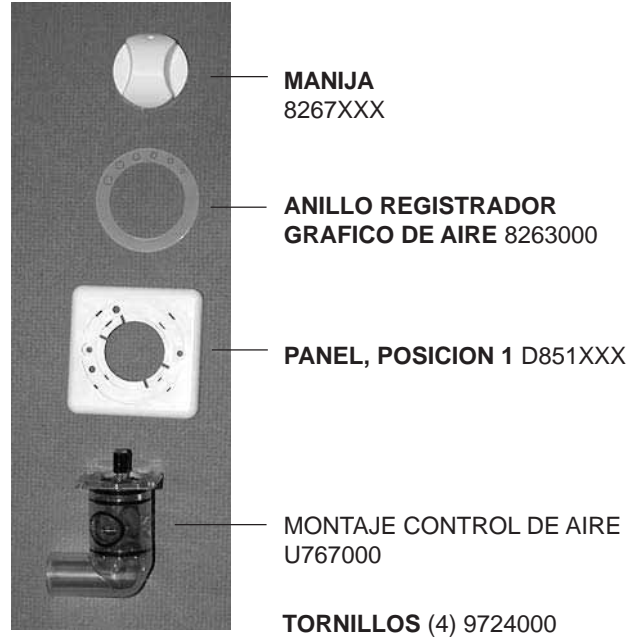
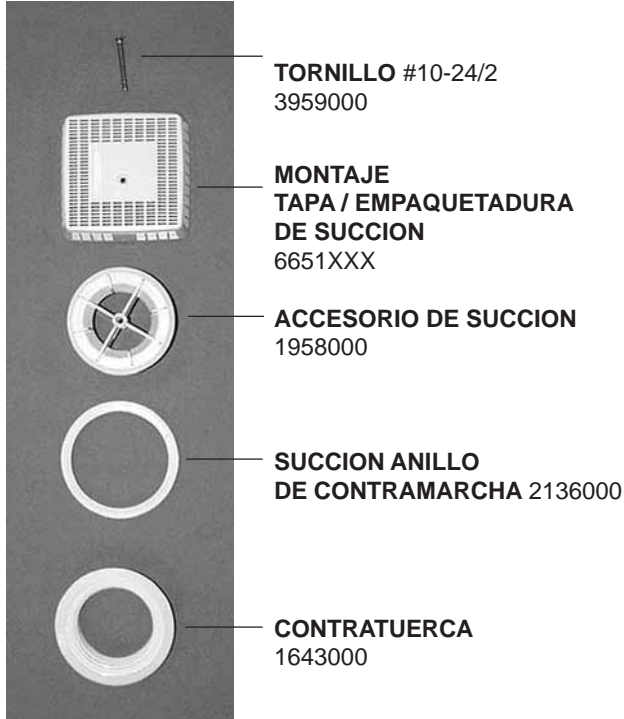
MONTAJE DE SUCCION



POSICION 1 EN EL CONTROL DE AIRE



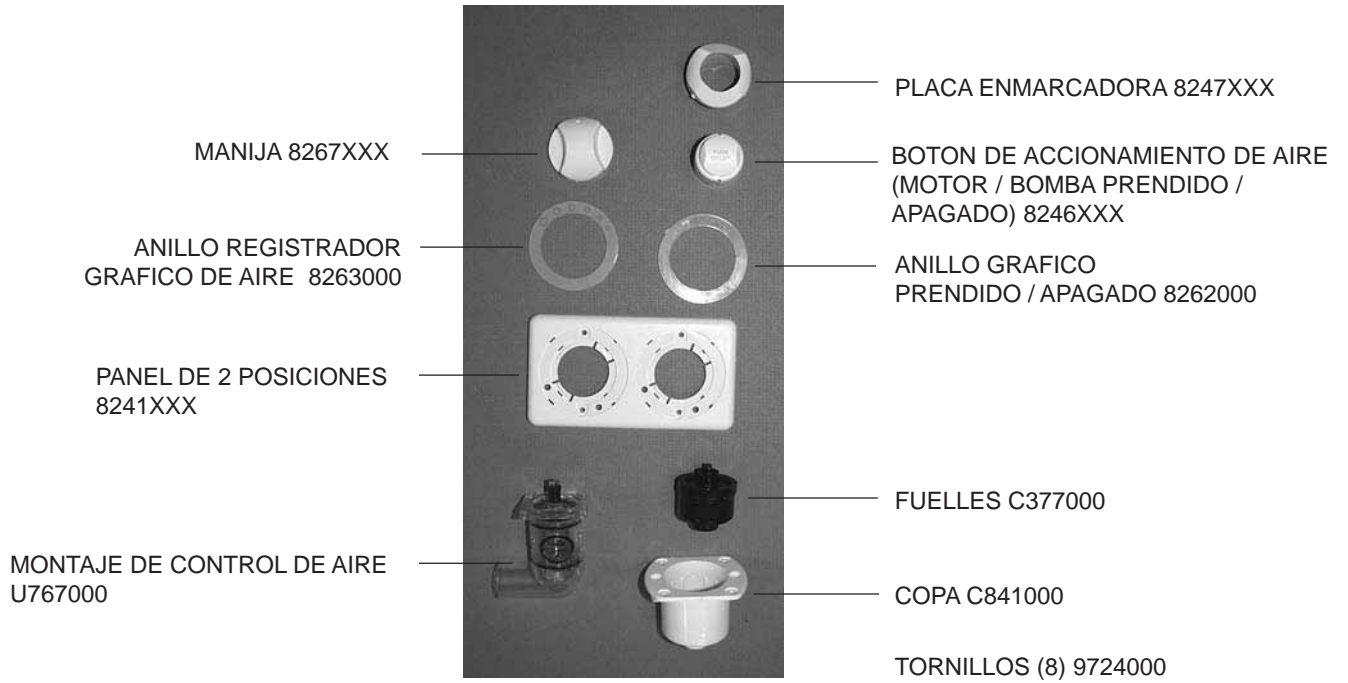
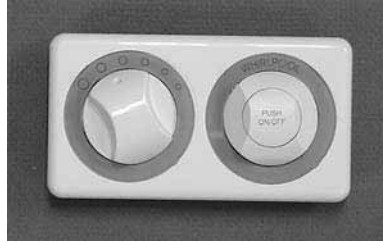
ESPAÑOL



PIEZAS DE REPUESTOS

(Al ordenar las partes substituyen un identificado por colores para el XXX.)

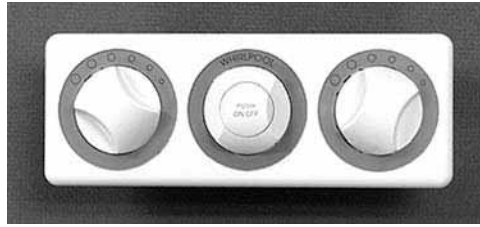
POSICION PANEL DE CONTROL 2 (AIRE & BOMBA / MOTOR PRENDIDO / APAGADO)



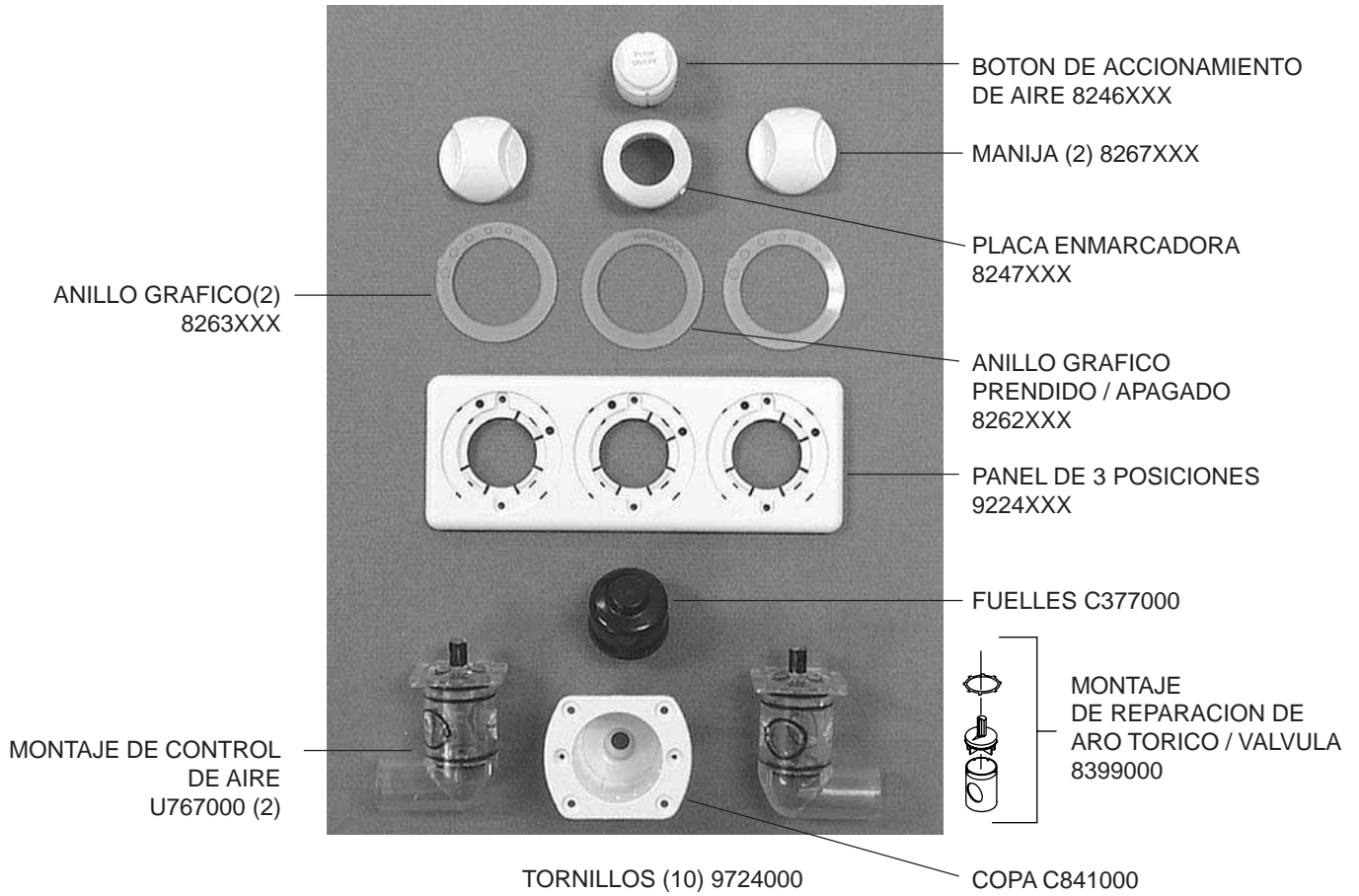
PIEZAS DE REPUESTOS

(Al ordenar las partes substituyen un identificado por colores para el XXX.)

PANEL DE 3 POSICIONES



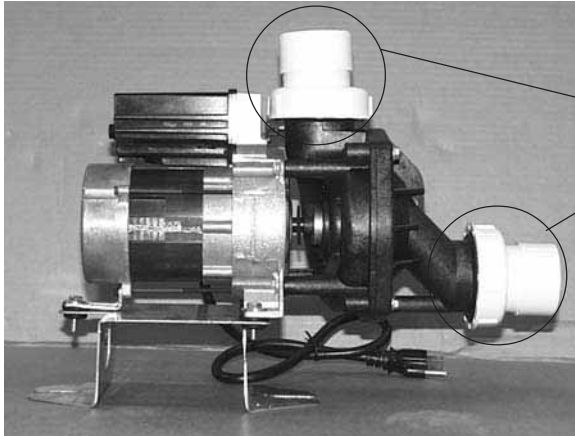
ESPAÑOL



PIEZAS DE REPUESTOS

(Al ordenar las partes substituyen un identificado por colores para el XXX.)

ASAMBLEA de la MOTRIZ/BOMBA CON PARENTESIS
10A, 115V, 60HZ H412000
or
7.0A, 115V, 60HZ BG94000



ASAMBLEA de la MOTRIZ/BOMBA SIN PARENTESIS
7.0A, 115V, 60HZ Y660000

7.0A MOTRIZ/BOMBA PARENTESIS Y660000

JUEGO DE REPARACION DE UNION
9250000:



ARO TORICO
9231000

ADAPTADOR DE UNION
9234000

TUERCA DE UNION NUT
9233000

ESPAÑOL

PIEZAS DE REPUESTOS



CALENTADOR DE REPARACION "RAPIDHEAT"
LADO de SUCCION S749000
JUNTAS DE CULATA de UNION (2) G947000
ANEXO(2) T180000



CALENTADOR DE REPARACION "RAPIDHEAT"
DESCARGUE el LADO U394000
JUNTAS DE CULATA de UNION (2) Y671000
ANEXO(2) Y670000

ESPAÑOL

NOTA: los componentes de calentadora de Succión RapidHeat y componentes de calentadora de Descarga RapidHeat no son intercambiable.

LA CALENTADORA DE RAPIDHEAT DESMONTÓ



JUNTAS DE CULATA de UNION
ANEXO

EL BLANCO DESMONTÓ



REPARE BLANCO de CALENTADORA
LADO de SUCCION BF68000
JUNTAS DE CULATA de UNION (2) G947000
ANEXO(2) T180000



REPARE BLANCO de CALENTADORA
DESCARGUE el LADO BF67000
JUNTAS DE CULATA de UNION (2) Y671000
ANEXO(2) Y670000

**LAS ESPECIFICACIONES DEL PRODUCTO ESTÁN SUJETAS A CAMBIOS SIN PREVIA NOTIFICACIÓN
USE LAS INSTRUCCIONES DE INSTALACIÓN PORPORCIONADAS CON EL PRODUCTO.**

Jacuzzi Whirlpool Bath ha obtenido las listas de códigos correspondientes (standards), para productos de este tipo, que generalmente están a disposición por todo el país. Antes de instalar el producto, el instalador o dueño de éste tiene la obligación de cumplir con el código específico local. Jacuzzi Whirlpool Bath no representa, ni garantiza, ni es responsable de hacer cumplir cualquiera de estos códigos de instalación.

Jacuzzi Whirlpool Bath
P.O. Box 702168, Dallas, TX 75370-2168
Service Support: (800) 288-4002

©1996 Jacuzzi Whirlpool Bath K272000AC 12/04



Printed on Recycled Paper

Printed in the U.S.A.

Servicios Autorizados Productos para el Baño y la Ducha

Si usted necesita obtener referencias sobre una compañía de servicios en su cercanía, o necesita asistencia para preguntas sobre la operación o mantenimiento del producto, por favor llame a nuestro Departamento de Servicios de Apoyo, teléfono 1-800-288-4002. Para obtener una lista de agentes de servicios, visite nuestro sitio en el web, <http://www.jacuzzi.com/>. Para encontrar listas de agentes de servicios, de un clic en "For The Trade". Luego entre a Agentes de Servicios Eléctricos/Mecánicos (Electrical/Mechanical Service Agents). Dependiendo del problema, entre a "Reparación Eléctrica/Mecánica" (Electrical/Mechanical Repairs) o Problemas Relacionados al Terminado, Superficie o Armazón "(Finish, Surface or Shell-Related Problems).

Cuando solicita servicios o asistencia técnica, por favor tenga a la mano tanto, el modelo, como el número de serie de la unidad. Esta información puede ser obtenida de la tarjeta de registro del producto, proporcionada junto con su unidad. Si la tarjeta ha sido desplazada, esta información se podrá obtener de la etiqueta de especificaciones/número de serie, colocada en la unidad misma (para la ubicación de esta etiqueta, ver a continuación).

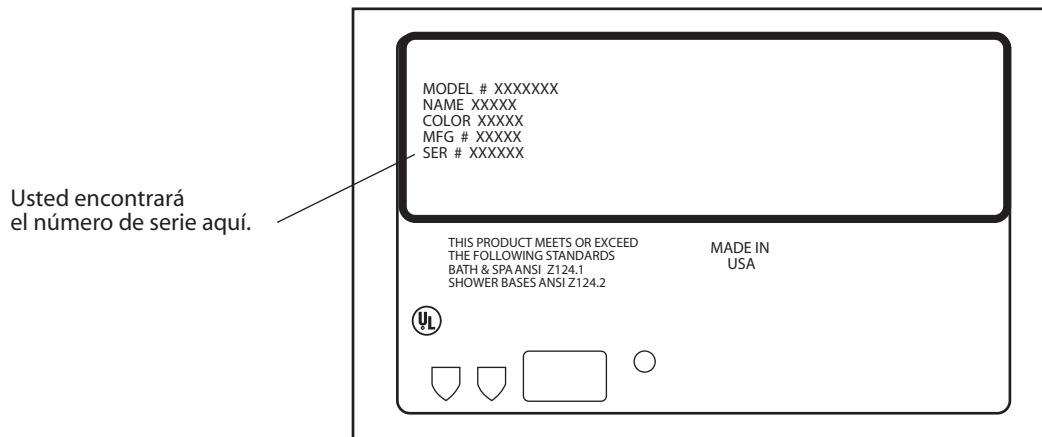
ESPAÑOL

PRODUCTOS PARA EL BAÑO

Tinas de whirlpool: La etiqueta está colocada en la pared de la tina, cerca de la bomba/motor.

Tinas sin Corriente de Chorro: La etiqueta está colocada al lado de la válvula de rebose.

Etiqueta de Especificaciones/Número de Serie





ADDENDUM

Cambio AUTORIZADO de SERVICIO

Esta hoja reemplaza la página Autorizada del Servicio en este manual.

Servicios autorizados productos para el baño y la ducha

Si usted necesita obtener información sobre una compañía de servicios en su cercanía, o necesita asistencia para preguntas sobre la operación o mantenimiento del producto, por favor llame a nuestro Departamento de Servicios de Apoyo, teléfono 1-800-288-4002. Para obtener una lista de agentes de servicios, visite nuestra pagina web, <http://www.jacuzzi.com/>. Para encontrar las listas de agente de servicio para:

Las Reparaciones eléctricas o Mecánicas visitan <http://jacuzzi.com/pdf/ASA.PDF>

El fin, la Superficie, o las Reparaciones de Esqueleto-Relacionó visitan <http://jacuzzi.com/pdf/AFC.PDF>

La reparación Despide o los Accesorios visitan <http://jacuzzi.com/pdf/MPD.PDF>

Cuando solicite servicios o asistencia técnica, por favor tenga a la mano tanto el modelo, como el número de serie de la unidad. Esta información puede ser obtenida en la tarjeta de registro del producto, proporcionada junto con su unidad. Si la tarjeta ha sido desplazada, esta información se podrá obtener en la etiqueta de especificaciones/número de serie, colocada en la unidad misma (para la ubicación de esta etiqueta, ver a continuación).

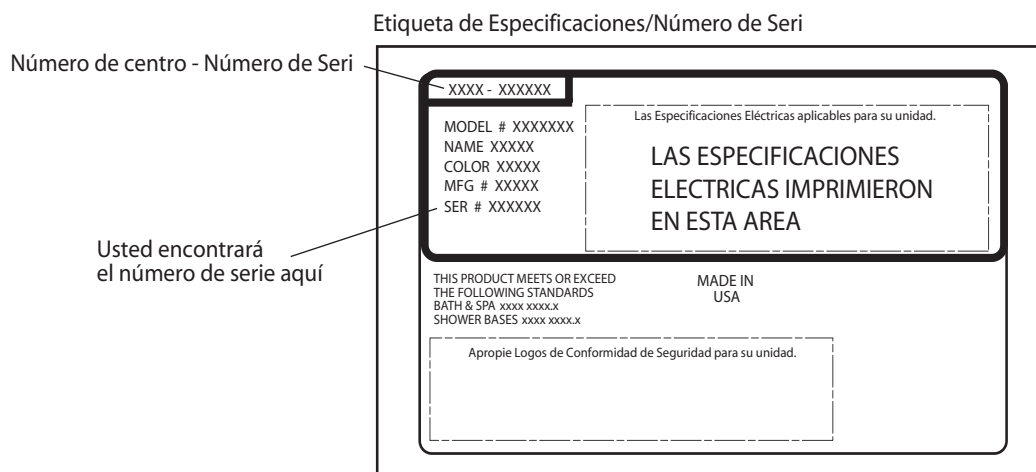
PRODUCTOS PARA EL BAÑO

Baños Combination Whirlpool: La etiqueta está colocada en la pared de la tina, cerca de la bomba/motor.

Baños Whirlpool: La etiqueta está colocada en la pared de la tina, cerca de la bomba/motor.

Baños aéreo: La etiqueta está colocada en la pared de la tina, cerca de la fuelle.

Baños empapados: La etiqueta se localiza junto a la capacidad rebosadero.



Garantía Limitada de Tinas de "Jacuzzi Whirlpool Bath" Producto de Grupo de Tinas Builder

COBERTURA DE LA GARANTÍA

Jacuzzi Whirlpool Bath (la "Compañía") ofrece la siguiente garantía limitada expresa a los compradores originales de cualquier tina de Jacuzzi Whirlpool Bath Builder Group Bath Product ("unidad") que compren el producto para uso personal o de una sola familia ("usuario"). La Compañía se compromete a la reparación o sustitución, según sea su decisión , de la unidad o sus equipos, de conformidad con los siguientes términos y condiciones.

GARANTÍA LIMITADA DE UN AÑO EN LAS TINAS

Nuestra garantía limitada a en los productos de Builder Group Bath es de un (1) año. La garantía cubre a la unidad y a los componentes instalados de fábrica (v.g. la bomba, el motor) en contra de cualquier defecto de material o de construcción. La cobertura de la garantía empieza el día que el usuario compró la unidad.

GARANTÍA LIMITADA DE CINCO AÑOS (SOLAMENTE PARA LAS PIEZAS) POR LA BOMBA Y EL MOTOR

Nuestra garantía limitada por la bomba y el motor es por cinco (5) años, únicamente para las piezas. La cobertura de la garantía comienza en la fecha en la que el usuario compró originalmente la unidad.

GARANTÍA LIMITADA DE NOVENTA DÍAS (REPUESTOS ÚNICAMENTE) EN OPCIONES Y ACCESORIOS

Nuestra garantía limitada en las opciones y accesorios de los repuestos únicamente fabricados por la Compañía es de noventa (90) días. Nuestra garantía cubre las opciones y accesorios fabricadas por la Compañía (v.g. juego de cascadas, vestiduras, faldas) en contra de cualquier defecto de material o de construcción. La cobertura de la garantía empieza el día que el usuario compró la opción o accesorio.

LIMITACIONES DE LA GARANTÍA

Nuestra garantía limitada a no cubre los defectos, daños o fallas ocasionados por el distribuidor, instalador, o cualquier otra persona, ni los que resulten, sin limitaciones, de cualquiera de los casos siguientes: descuido en el manejo (levantamiento de la unidad al usando la plomería como mango, abresión de los terminados, etc.), modificación de cualquier tipo por cualquier razón (incluso modificaciones para cumplir con las normas de los códigos locales), instalación inadecuada (incluso instalación no conforme a las instrucciones y especificaciones que acompañan a la unidad); conexiones proporcionadas por el instalador del equipo; impropio abasto de voltaje o alguna modificación eléctrica no autorizada; mal uso; operación incorrecta; o falta de mantenimiento adecuado de rutina, operación de la unidad sin la cantidad mínima de agua que se especifica o a una temperatura del agua inadecuada; uso de limpiadores abrasivos o impropios; o desastres naturales como relámpagos, inundaciones, terremotos, etc.

Ademas, la COMPAÑÍA NO SERÁ RESPONSABLE POR DAÑOS INCIDENTALES O CONSECUENCIALES o pérdidas que se deriven de cualquier causa (v.g., daño del agua a las alfombras, techos, pérdida de uso, etc.) incluso su propia negligencia, daños a, relativos a, o que resulten de las partes cromadas cuando se usen en la unidad sustancias químicas para piscina o "spa"; equipo opcional de tina no fabricado por la Compañía pero provisto por el Distribuidor, instalador o por la Compañía; el uso anterior de la unidad para hacer demostraciones, o defectos que debieran haberse descubierto antes de la instalación. Esta garantía limitada no incluye: mano de obra, transporte, u otros costos en los que se incurra en la remoción y/o reinstalación de la unidad original y/o instalación de una unidad de reemplazo; cualquier costo relativo a lograr el acceso para la reparación, o daño por pérdida de uso, incluso pérdida de ventas, utilidades o ventajas comerciales de cualquier tipo en cualquier circunstancia. Las unidades quedan excluidas de cualquier cobertura de garantía en caso de que se le haya hecho a la unidad (o a cualquiera de sus componentes) algún añadido, cancelación o modificación de cualquier tipo.

La cobertura de la garantía se proporciona únicamente en los Estados Unidos de América y Canadá.

EXCLUSIÓN DE GARANTÍAS IMPLÍCITAS

GARANTÍAS APLICABLES DE MERCANTIBILIDAD Y ADECUACIÓN PARA UN PROPÓSITO DETERMINADO SON NEGADAS TOTALMENTE O HASTA EL LIMITE COMPLETO PERMITIDO CONFORME A LA LEY.

AVISO: Esta garantía le ofrece derechos legales concretos y es posible que además tenga usted otros derechos que varían de un estado a otro. No existen garantías aplicables a los productos Jacuzzi Whirlpool Bath, excepto los que aquí se expresan o los implícitos en leyes estatales y federales aplicables. La compañía no se hace responsable por declaraciones o interpretaciones que se hagan de cualquier forma y que resulten más amplias o que no correspondan con la literatura autorizada que proporciona la Compañía.

Algunos estados no permiten limitaciones a la duración de una garantía implícita, o la exclusión o limitación de daños incidentales o consecuenciales, de tal forma que las limitaciones o exclusiones antes descritas quizá no sean aplicables a usted.

RESPONSABILIDAD DE LA TARJETA DE GARANTÍA

La tarjeta anexa, que ya incluye la dirección de la Compañía, y que tiene por objeto el registro de la unidad para fines de garantía debe llenarse antes de que hayan pasado (30) treinta días de la compra y enviarse a Jacuzzi Whirlpool Bath para que esta garantía entre en vigor.



Jacuzzi Whirlpool Bath
P.O.Box 702168
Dallas, TX 75370-2168

RESPONSABILIDAD DE TERCEROS

Es responsabilidad del instalador o del contratista constructor que actúen en nombre del usuario realizar una inspección de la unidad antes de instalarla. Ellos son responsables de asegurarse de que la unidad no tiene defectos ni daños. Se ponen avisos en la unidad y en la caja que la contiene para advertir al instalador sobre esta responsabilidad. En caso de que haya algún problema, no debe instalarse la unidad. La Compañía no se hace responsable de fallas o daños que podrían haberse detectado, reparado o evitado mediante una inspección apropiada y pruebas antes de la instalación. Cualquier daño que ocurra durante el trayecto es responsabilidad del transportista. El usuario o instalador DEBE abrir la caja y revisar que la unidad no tenga ningún daño, al momento de la entrega. Si se encuentra algún daño, debe informarles de inmediato al vendedor y al transportista por escrito y debe solicitarse una inspección. En caso de que el transportista no responda, debe avisarles al vendedor y al transportista. Los reclamos de flete deben presentarse inmediatamente después.

Es responsabilidad del instalador, contratista constructor o usuario proporcionar acceso para servicio. La Compañía no es responsable por ningún costo incurrido para obtener acceso para reparación. El usuario deberá afrontar con estos gastos y, si es apropiado, deberá recobrar este costo del instalador.

Los daños que ocurran a la unidad durante su instalación son responsabilidad del instalador y/o del contratista constructor y daños que ocurran después de la instalación de la unidad son responsabilidad del usuario.

Fallas en cualquier equipo opcional son responsabilidad única del fabricante del equipo. (Opciones y accesorios fabricadas por la Compañía tienen garantía de noventa (90) días desde la fecha original de su compra para los repuestos únicamente).

El Distribuidor o Vendedor es responsable de conocer los requisitos de los códigos locales y de notificar al contratista instalador y o al usuario de estos requisitos al momento de su compra. La Compañía no es responsable por ningún costo incurrido en la modificación del producto para conseguir la aprobación del código, a fin de obtener la aprobación municipal, estatal o del condado para el código en los E.E.U.U., o códigos municipales o provinciales un Canadá.

SERVICIO DE GARANTÍA

Para beneficio del cliente, la Compañía tiene una lista de proveedores de servicio independientes que pueden realizar las reparaciones requeridas para el servicio de garantía. Dichas empresas no son ni agentes ni representantes de la Compañía y no pueden obligar a la Compañía por palabra o conducta.

La Compañía debe proporcionar el servicio de garantía que se describe arriba, cuando se hayan cumplido las siguientes condiciones: la falla es de una naturaleza o de un tipo que queda cubierto por la garantía; el usuario le ha informado a un Agente autorizado o Representante del Departamento de Garantías cuál es la naturaleza del problema durante el período cubierto por la garantía; el usuario le ha entregado a dicho agente o representante pruebas irrefutables (v.g. pruebas de compra o instalación) de que la falla ocurrió o se descubrió dentro del período de garantía; una persona autorizada de servicio independiente o representante de la Compañía ha tenido la oportunidad de inspeccionar la unidad durante horas hábiles regulares dentro de un lapso razonable después de que el usuario reportó la falla.

A fin de obtener un servicio de garantía, consulte su directorio telefónico para encontrar al Agente de Servicio Autorizado de Jacuzzi Whirlpool Bath que más cerca le quede. Describa su problema y el Agente de Servicio Autorizado inspeccionará la unidad y le ofrecerá el servicio que requiere la garantía.

En caso de que no pueda obtener a un Agente de Servicio Autorizado de Jacuzzi Whirlpool Bath, escriba o llame a:

Jacuzzi Whirlpool Bath
 Warranty Service Department
 P.O. Box 702168
 Dallas, TX 75370-2168
 Llame a : (800) 288-4002

Para obtener un reemplazo según la garantía para componentes instalados de fábrica para opciones abastecidos por la Compañía y accesorios fabricados y abastecidos por la Compañía, llame o escriba al domicilio que abajo se señala. Proporcione una descripción del problema y una prueba de compra. Recibirá instrucciones de cómo obtener su reemplazo y de cómo devolver, a sus expensas, el o los componentes, opciones o accesorios defectuosos.

Todas las partes, equipos y reparaciones asumirán el resto del lapso de garantía de la parte o partes reemplazados.

La obligación de garantía de la Compañía quedarán descargadas con la oferta de reemplazo o reparación. En caso de que el cliente se niegue a aceptar la solución, se da por terminada la obligación de cumplimiento de garantía de la Compañía.

Garnatía Limitada de
 Noventa Días
 Repuestos Únicamente
 de Accesorio(s)

©1996 Jacuzzi Whirlpool Bath K272000AC 12/04



**TARJETA DE REGISTRO
 PARA LA GARANTÍA**

Para que esta garantía entre en vigor, esta tarjeta debe llenarse y enviarse al domicilio que está impreso al reverso, antes de que hayan pasado (30) treinta días después de la fecha de compra.

Nombre del Jefe de Familia _____
 Domicilio _____
 Ciudad _____ Estado _____ Código Postal _____
 Fecha de compra/ocupación _____
 Nombre del modelo _____
 Número de serie _____
 Nombre del distribuidor/constructor _____
 Dirección del distribuidor/constructor _____

- ¿Cómo se enteró de la existencia de este producto de Jacuzzi®/protegi?
 - Anuncio Publicitario Artículo en revista, periódico
 - Visita a Proveedor/distribuidor
 - Sección páginas amarillas
 - Constructor/Plomero/Remodelador Decorador/Arquitecto
 - Visite Revendedor/Ferretería
 - Publicidad de boca...:amigo/pariente/conocido
 - Otro (por favor describa) _____
- ¿Quien fue la primera persona que le dio información sobre este producto (especificaciones, precios, etc)?
 - Proveedor de productos de baño Constructor
 - Remodelador Contratista de productos de plomería
 - Decorador/Arquitecto Ya estaba instalado
- ¿Cual fue la principal razón para la compra?
 - El estilo Servicio de garantía Accesorios del producto
 - Marca de Fabrica Precio Hidroterapia
 - Venta de Casa
 - Otro _____
- ¿Quien tomó la decisión final sobre qué producto comprar?
 - Yo mismo Conyuge Conyuge y yo juntos
 - Otro miembro de la familia Diseñador/Arquitecto
 - Constructor/ Plomero/Remodelador Ya estaba instalado
 - Quien instalo? Ya Instalada/Casa Nueva
 - Contratista/Plomero Durante Renovación
 - Usado/Conyuge Durante Renovación
 - Otro (Especifique) _____
- ¿Cuales actualmente el valor en el mercado de esta propiedad?
 - Aproximadamente \$ _____ años
- ¿Que edad tiene el jefe de familia? _____ años
- ¿Cuales otros fabricantes considero usted?
 - Elier Lasco Price Plister Aqua Glass
 - Kohler American Standard Sterling
 - Otro (Especifique) _____
- ¿Cuantos tiempo paso usted buscando antes de comprar su unidad?
 - 1 día 2 meses - 6 meses
 - 2-7 días 6 meses - 1 año
 - 1 semana - 2 semanas 1 años - 2 años
 - 2 semanas - 4 semanas mas de 2 años
 - 1 mes - 2 meses
- Aproximadamente, ¿cuanto tiempo han vivido en esa casa?
 - Hogar? _____
 - Hasta \$24,999 De \$50,000 a \$74,999
 - De \$25,000 a \$29,999 De \$75,000 a \$99,999
 - De \$30,000 a \$39,999 De \$100,000 a \$149,999
 - De \$40,000 a \$49,999 \$150,000 y mas
- ¿Fue su proceso de compras?
 - Muy fácil Fácil Muy Difícil
- ¿Que tan técnicamente informado estaba usted del sistema de chorros Jacuzzi®/protegi por patente, antes de su compra?
 - No estaba informado Un poco informado Muy informado

Garnatía Limitada de
 Noventa Días
 Repuestos Únicamente
 de Accesorio(s)

JACUZZI WHIRLPOOL BATH

K272000AC