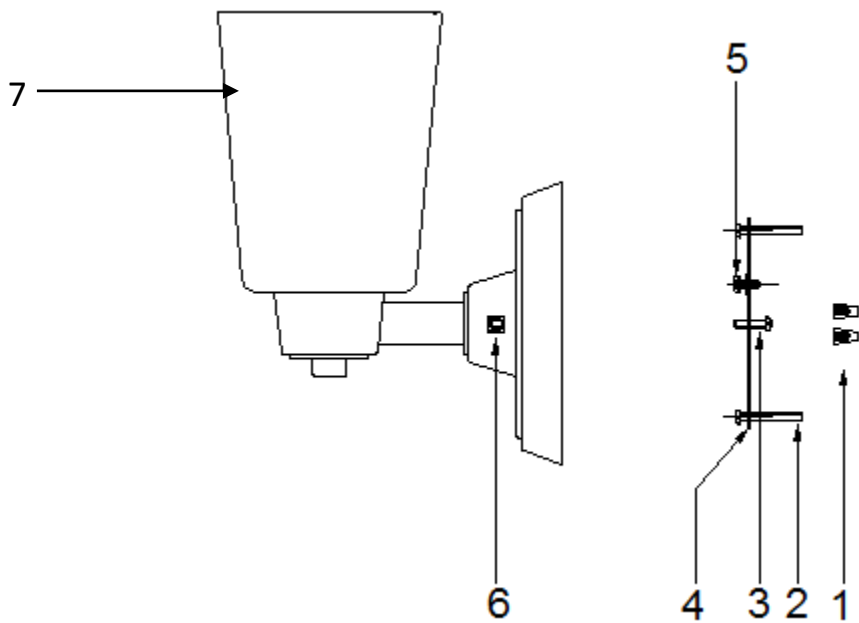
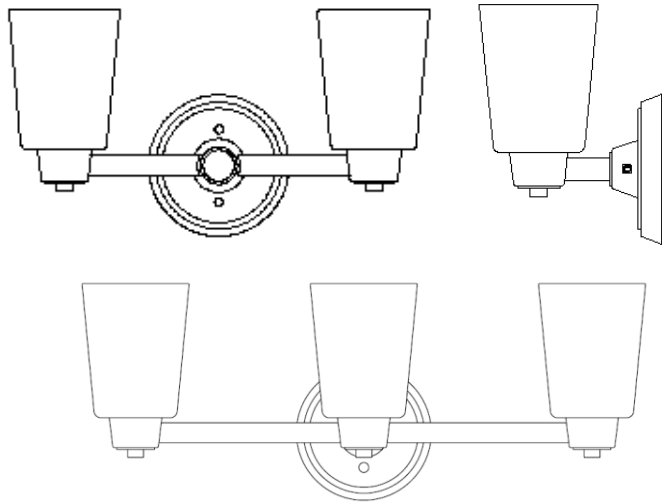


PARK HARBOR™

PHVL3001/3002/3003PC/BN



No.	Part Name	Spanish	French	Part No.
1	Wire connector (2pcs)	Conector de cable (2pcs)	Capuchon de connexion (2pcs)	PHSP200HDWRBNWTY PHSP200HDWRPCWTY
2	Screw (2pcs)	Tornillo (2pcs)	Vis (2pcs)	
3	Screw (1pc)	Tornillo (2pcs)	Vis (2pcs)	
4	Mounting bar (1pc)	Barra de montaje (1pc)	Barrette de fixation (1pc)	
5	Ground screw (1pc)	Tornillo a tierra (1pc)	Vis de borne de terre (1pc)	
6	Finial (2pcs)	Remate (2pcs)	Faiteau (2pcs)	
6	Finial (1pc)	Remate (1pc)	Faiteau (1pc)	PHSPRNU3BN1WTY PHSP200NUTWTY
7	Glass (1,2 or 3 pcs)	Vidrio (1,2 or 3 pcs)	Verre (1,2 or 3 pcs)	PHSP300GLSSWTY (clear seedy) PHSP300CLGLSSWTY (clear)