

SPECIFICATION SUBMITTAL SHEET



RAISED HEAD BRASS CLEANOUT PLUGS – LA STYLE

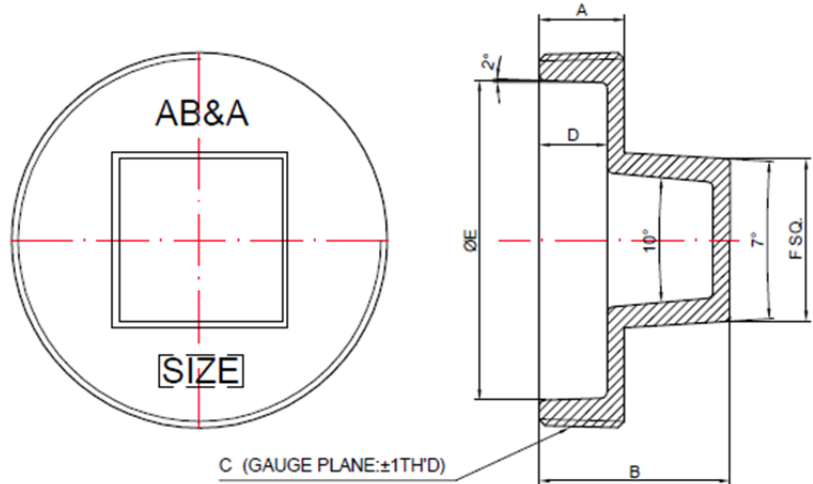
Job Name: _____ **Contractor:** _____
Job Location: _____ **Approval:** _____
Engineer: _____ **Contractor's PO#:** _____
Approval: _____ **Representative:** _____

Series 175

Brass Raised Head Cleanout Plugs

Los Angeles Style

Available 1-1/2" Through 6"



Select Part# Below for Style/Size/Finish of Product Specified:

√	Qty	IPS Part #	AB&A Model#	Size (inches)	Critical Dimensions (mm)					
					A	B	C	D	E	F
		68600	ABA175	1-1/2	15.7	33.0	1-1/2"-11-1/2NPT	11.9	38.5	25.0
		68601	ABA176	2	15.7	33.0	2"-11-1/2NPT	11.9	50.5	31.2
		68602	ABA177	2-1/2	20.0	40.0	2-1/2"-8NPT	16.0	60.5	31.2
		68603	ABA178	3	20.0	44.0	3"-8NPT	16.0	77.0	40.0
		68604	ABA179	3-1/2	20.0	44.0	3-1/2"-8NPT	16.0	88.5	40.0
		68605	ABA180	4	20.0	44.0	4"-8NPT	16.0	99.5	49.5
		68811	ABA181	5	25.0	50.0	5"-8NPT	21.0	125.5	61.0
		68812	ABA182	6	25.0	50.0	6"-8NPT	21.0	153.0	61.0

