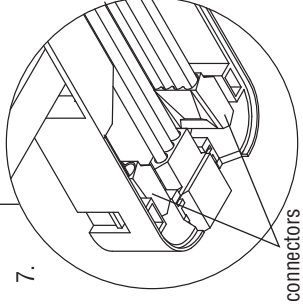
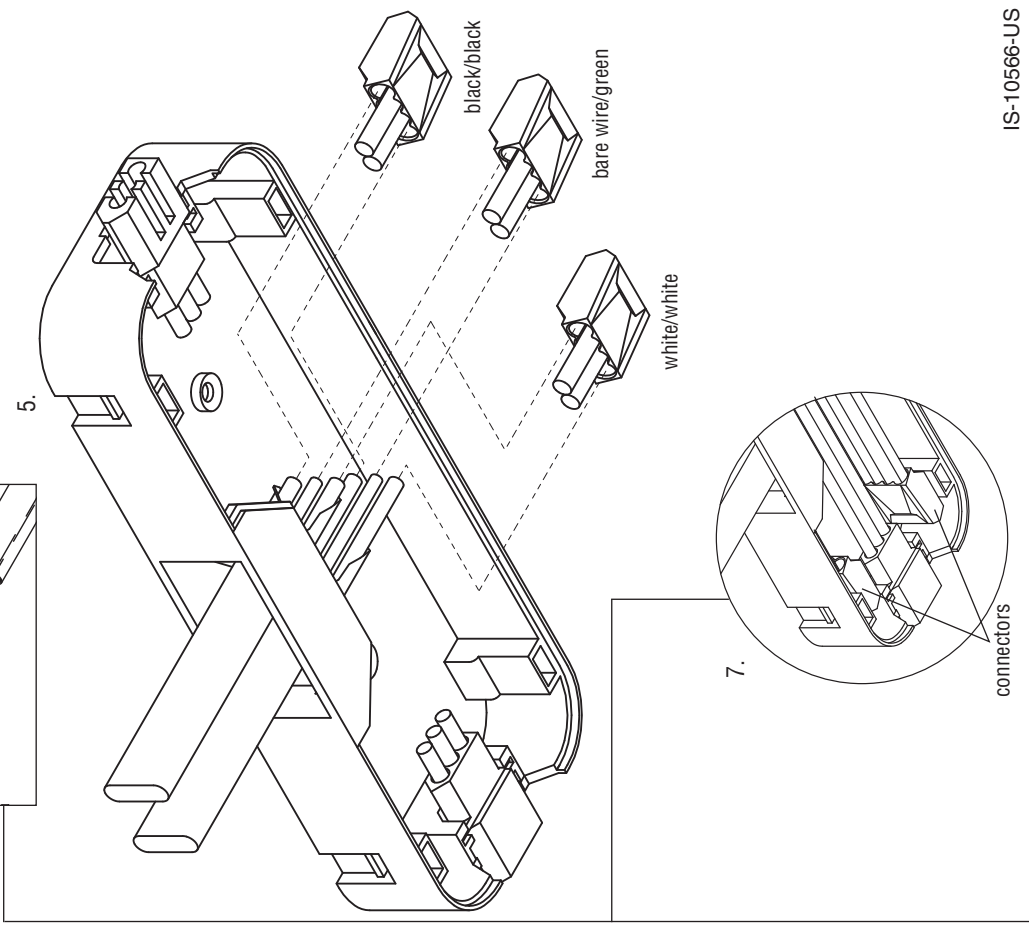
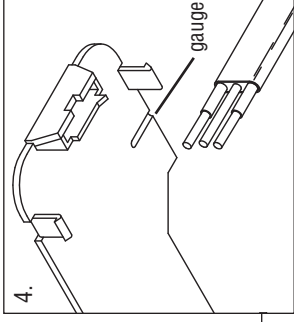
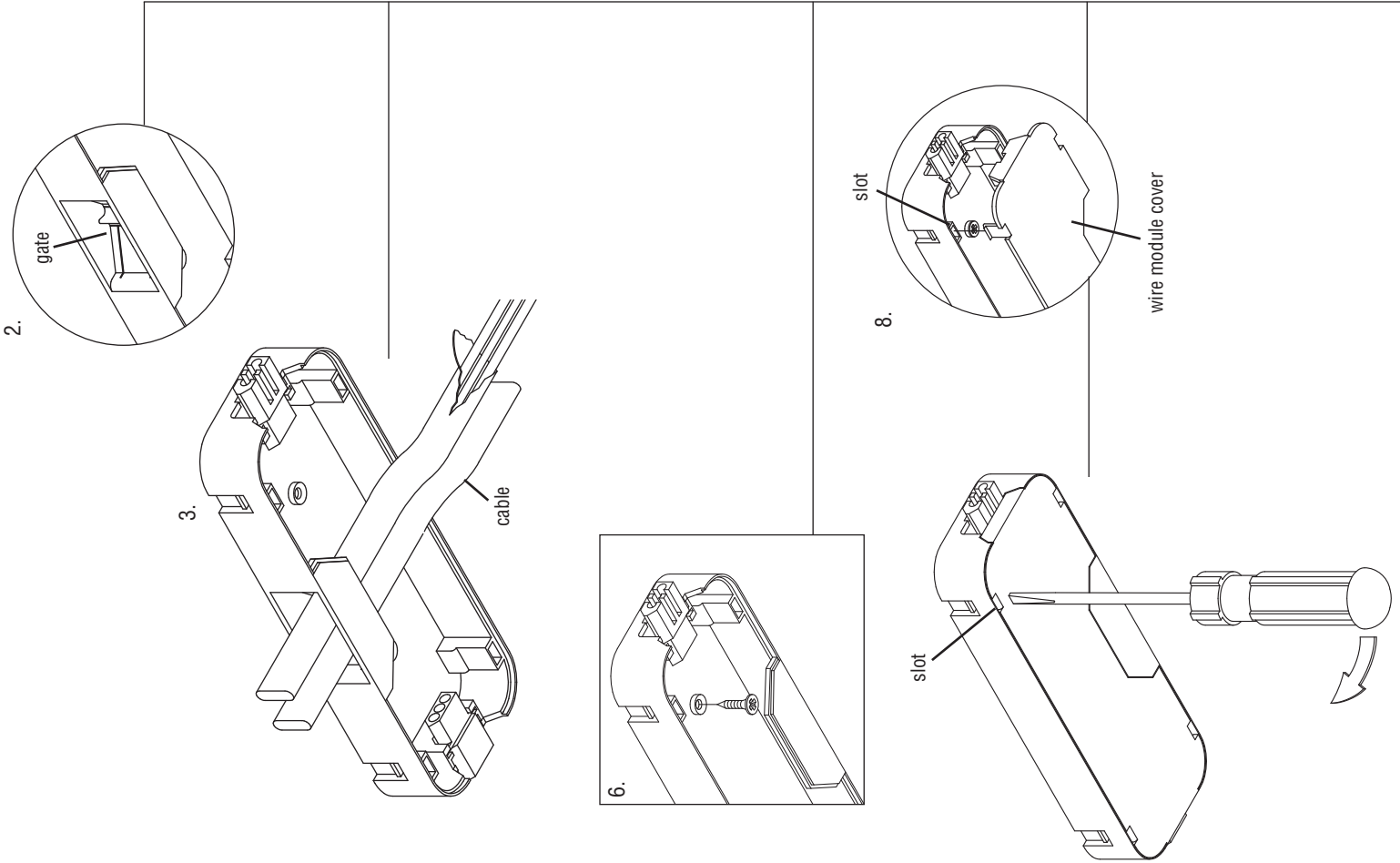




1. Turn off power.
NOTE: All installations should comply with local electrical codes. If you have any doubts concerning installation contact a qualified licensed electrician.
2. On one side of wire module there are two gates. Feed approximately 5 inches of Type NM non-metal sheathed cable (12 gauge maximum) through gate.
NOTE: These gates serve as strain reliefs holding cable securely in place. Gates should not be removed and no more than one cable should go through each.
3. Peel back jacket on cable to within one inch of inside of gate.
4. Strip approximately 1/2 inch of insulation off each black and white wire.
NOTE: On inside of wire module cover is a gauge to assist in stripping the correct amount of insulation.
5. Push stripped wires into the appropriate connector:
black to black
white to white
bare wire to green
Slightly tug on each wire to insure connection has been made and is secure.
6. Push wire module to mounting surface of cabinet (as close to wall as possible) allowing excess cable to feed back into wall. Secure wire module in place using provided screws. It may be necessary to drill 1/16" maximum pilot holes.
7. Push wires and connectors inside wire module. We suggest pushing each connector towards a different corner of wire module.
8. Slip legs on wire module cover into slots inside wire module and until cover snaps in place.
NOTE: To remove cover, slide screwdriver into slot formed by cover and wire module then pull screwdriver handle away from wire module until cover separates from wire module.



9. Determine desired location for mounting fixture. Mounting surface should be a minimum of 1/2" thick and approximately 2 1/2" clearance for interconnect cable should be allowed at both ends of fixture.

10. Position fixture against mounting surface with bulb compartment towards back.

11. Drive pre-installed screws into mounting surface until fixture is secure. If screws are difficult to install, remove screws and bushings, mark holes, and drill 1/16" maximum pilot holes.

12. Connect fixture to wire module using interconnect cable.

13. Hold interconnect cable to mounting surface and determine best path for cable.

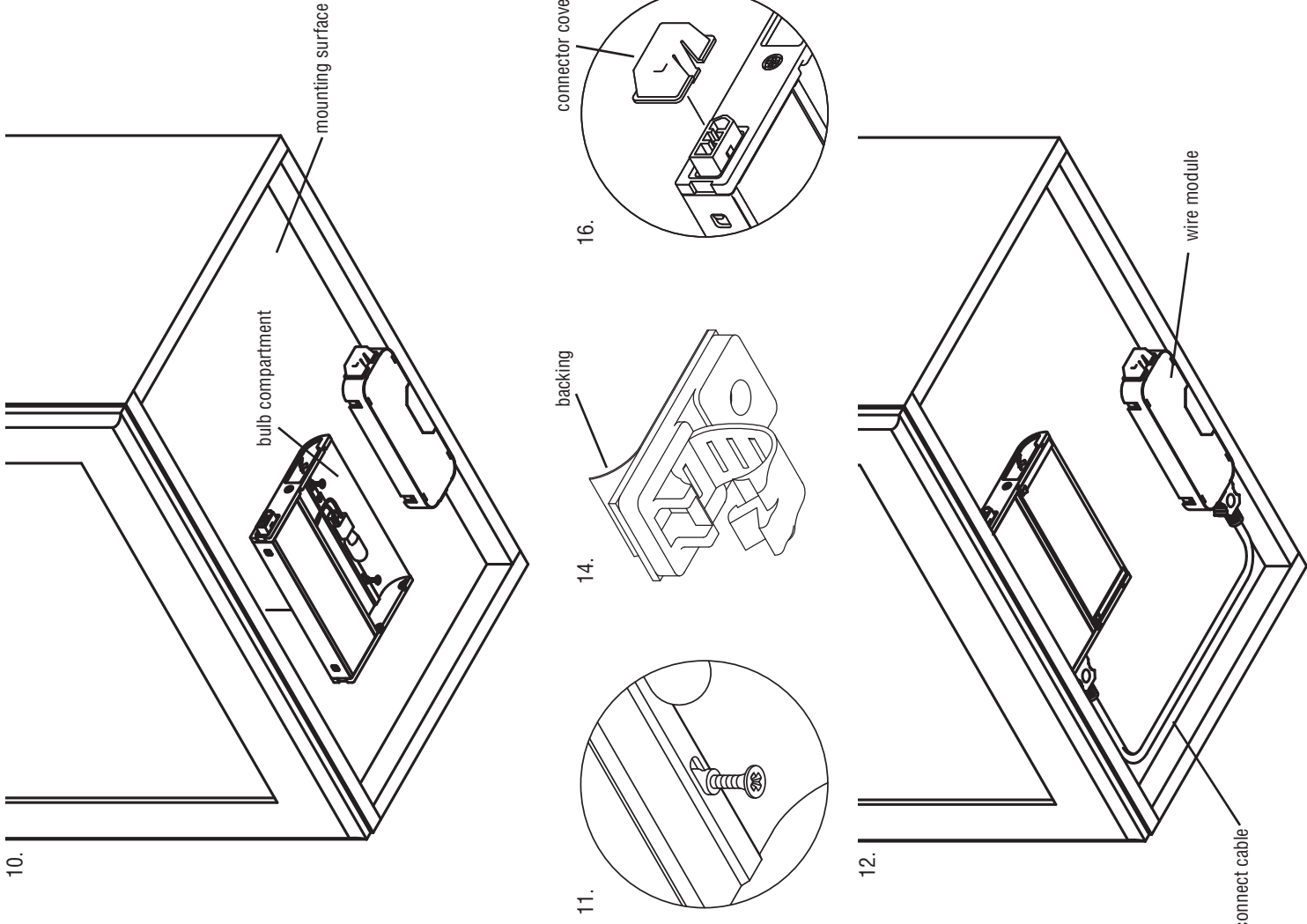
NOTE: Interconnect cable is not intended for use through or concealed behind walls, floors or ceilings.

14. Peel backing off retaining clip(s) and affix to desired location(s). Surface should be as clean as possible.

15. Slip cable into clip(s) and snap closed.

16. If no other fixtures will be added at this time use connector cover over connectors not being used.

17. Maximum number of lamps per run cannot exceed 30 lamps.



Opening Diffuser:

- Turn off fixture and allow to cool.
- Place finger tip on tab of each diffuser end cap.
- Lift and slide diffuser at tabs.
- Lower that edge of diffuser

Closing Diffuser:

- Swing edge of diffuser with tabs up toward fixture until pegs by tabs slip into slots in middle of fixture end caps.
- Slide tabs forward allowing pegs to seat in slots.

