

FEATURES

- 12" (30.5cm) rough-in
- Vitreous china
- Elongated bowl
- One-piece, compact
- Comfort height
- 1.6 gpf (6 lpf)
- 2" (5cm) glazed trapway
- 11" (27.9cm) x 9-1/4" (23.5cm) water area
- Includes seat and cover
- Includes polished chrome lift knob
- 16-1/8" (41cm) high bowl with seat is ADA compliant
- Less supply
- EPDM flapper
- Ingenium™ flushing system

CODES/STANDARDS APPLICABLE

Specified model meets or exceeds the following:

- ADA
- ASME/ANSI A112.19.2M
- ASME/ANSI A112.19.6M
- Energy Policy Act of 1992 (EPACT)
- IAPMO/UPC
- CSA International B45

COLORS/FINISHES

- 0 White
- Other Refer to Fixtures Price Book for additional colors

Accessories:

- CP Polished Chrome
- PB Polished Brass
- Other Refer to Price Book for additional colors

SPECIFIED MODEL:

Model	Description	Colors/Finishes		
K-3357	Elongated bowl toilet	<input type="checkbox"/> 0 White	<input type="checkbox"/> Other_____	
Recommended Accessories				
K-7637	Angle supply with stop	<input type="checkbox"/> CP	<input type="checkbox"/> PB	<input type="checkbox"/> Other_____
Optional Accessories				
K-9446	Flush actuator	<input type="checkbox"/> PB	<input type="checkbox"/> Other_____	

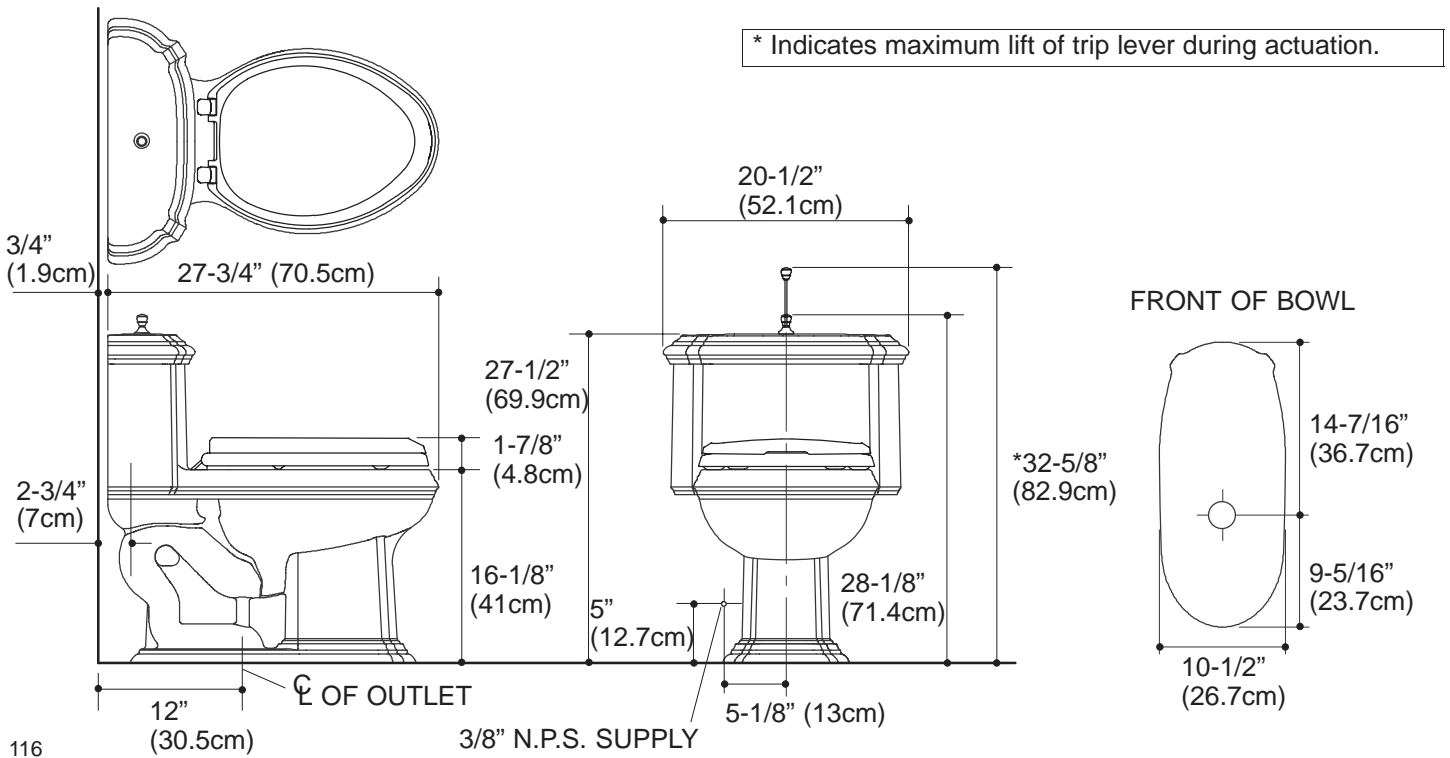
PRODUCT SPECIFICATION:

The elongated compact 1-piece toilet shall be 12" (30.5cm) rough-in. Toilet shall be made of vitreous china. Toilet shall be at comfort height. Toilet shall be 1.6 gpf (6 lpf). Toilet shall have 2" (5cm) glazed trapway. Toilet shall have 11" (27.9cm) x 9-1/4" (23.5cm) water area. Toilet shall include seat and cover. Toilet shall include polished chrome lift knob. Toilet shall be ADA compliant with 16-1/8" (41cm) high bowl with seat. Toilet shall be less supply. Toilet shall have EPDM flapper. Toilet shall have Ingenium™ flushing system. Toilet shall be Kohler Model K-3357-_____.

PORTRAIT COMFORT HEIGHT™

PRODUCT INFORMATION

ADA compliant:	
Fixture:	
Configuration	1-piece, compact elongated
Water per flush	1.6 gallons (6L)
Passageway	2" (5cm)
Water area	11" (27.9cm) x 9-1/4" (23.5cm)
Water depth from rim	6" (15.2cm)
Seat post hole centers	5-1/2" (14cm)
Included Components:	
Seat	K-4652
Tank cover	89809
Bolt cap accessory pack	52048
Tank accessory pack	52265



PRODUCT DIAGRAM