

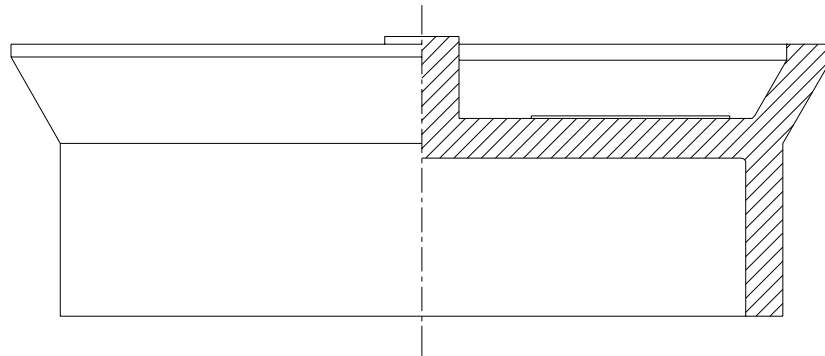


Z9-PLUG CLEANOUT PLUG FOR ACID WASTE

SPECIFICATION SHEET

TAG _____

Dimensional Data (inches and [mm]) are Subject to Manufacturing Tolerances and Change Without Notice



Dimensions In Inches
Nominal Pipe Size
1-1/2 [38]
2 [51]
3 [76]
4 [102]
6 [152]

ENGINEERING SPECIFICATION:
ASTM-F1412, F.R.P.P.-210
ZURN Z9-PLUG CLEANOUT PLUG
FLAME RETARDANT POLYPROPYLENE
FITTING.

PIPE SIZE

1-1/2, 2, 3, 4, 6 [Sch 40 + Sch 80]

SUFFIXES

- _____ -AC Tapped for Cleanout Wall Access Cover
- _____ -P Tapped for 1/2[13] N.P.T. Connection

REV. B	DATE: 11/05/03	C.N. NO. 91586
DWG. NO. 66311	PRODUCT NO. Z9-PLUG	

*REGULARLY FURNISHED UNLESS OTHERWISE SPECIFIED