

Royal® Model 112 XD Flushometer 112-1.6 XD



► **Description**
Exposed Water Closet Flushometer with Adjustable Ground Joint Tailpiece, for floor mounted or wall hung top spud bowls.

► **Flush Cycle**
 Model 112 XD Water Saver (3.5 gpf/13.2 Lpf)
 Model 112-1.6 XD Low Consumption (1.6 gpf/6.0 Lpf)

► **Specifications**
The Flushometer replaces existing valves that incorporate Ground Joint Tailpiece connections without having to replace the supply Control Stop. Quiet, Exposed, Diaphragm Type, Chrome Plated Closet Flushometer with the following features:

- PERMEX™ Synthetic Rubber Diaphragm with Dual Filtered Fixed Bypass
- ADA Compliant Metal Oscillating Non-Hold-Open Handle with Triple Seal Handle Packing
- Adjustable Ground Joint Tailpiece
- High Back Pressure Vacuum Breaker Flush Connection with One-piece Bottom Hex Coupling Nut
- Spud Coupling and Flange for 1½" Top Spud
- High Copper, Low Zinc Brass Castings for Dezincification Resistance
- Non-Hold-Open Handle, Fixed Metering Bypass and No External Volume Adjustment to Ensure Water Conservation
- Flush Accuracy Controlled by CID™ Technology
- Diaphragm, Handle Packing, Stop Seat and Vacuum Breaker to be molded from PERMEX™ Rubber Compound for Chloramine Resistance

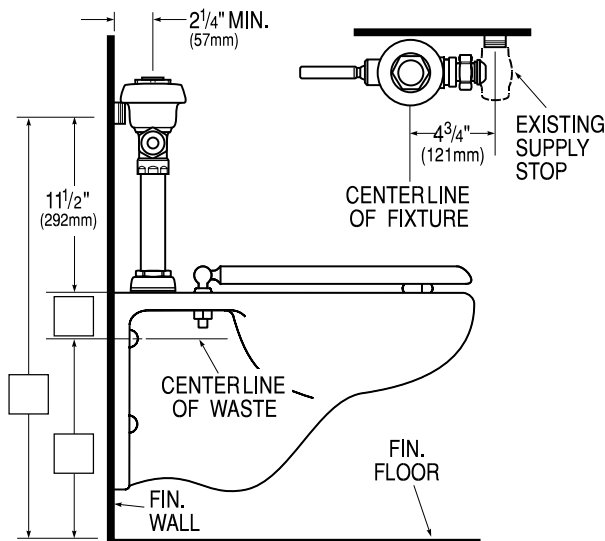
Valve Body, Cover, Tailpiece and Control Stop shall be in conformance with ASTM Alloy Classification for Semi-Red Brass. Valve shall be in compliance to the applicable sections of ASSE 1037, ANSI/ASME 112.19.6, and Military Specification V-29193.

- **Variations**
- U** 1¼" Flush Connection and Spud Coupling
 - YG*** Extended Bumper on Angle Stop (for seat with cover)
 - YO*** Bumper on Angle Stop (for open front seat without cover)

For Flushometer with Control Stop (includes Sweat Solder Adapter and Supply Flange), delete "XD" from the Model Number. Retrofit Installations may require specialized Valve Rough-ins. Consult Sloan Valve Company Installation Engineering Department for assistance.

* Specify *only* if ordered with Control Stop.

See Accessories Section of the Sloan catalog for details on these and other Flushometer variations.



This space for Architect/Engineer approval

The information contained in this document is subject to change without notice.

SLOAN®

Made in the U.S.A.
SLOAN VALVE COMPANY • 10500 SEYMOUR AVE. • FRANKLIN PARK, IL. 60131
Ph: 1-800-9-VALVE-9 or 1-847-671-4300 • Fax: 1-800-447-8329 or 1-847-671-4380
<http://www.sloanvalve.com>