

PATRIOT 80 PLUS[®]

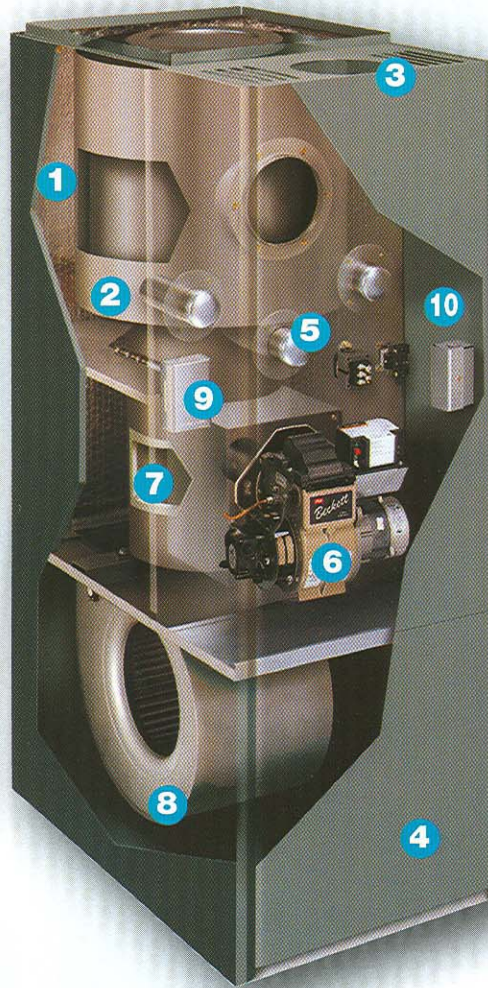
OIL FURNACES



Clean,
Comfortable
Oil Heat From

Comfort-Care[®]

Features



- 1** Foil-faced high density fiberglass insulation gives durable, insulating heat and sound protection.
- 2** Heavy-duty 14 gauge steel Heat Exchanger engineered for efficiency with a lifetime warranty. 5 year warranty on all components.
- 3** Available in upflow, downflow, horizontal, front or rear flue configuration.
- 4** Corrosion-resistant steel cabinet construction with baked enamel finish.
- 5** Easy access clean-out ports allow complete servicing of heat exchanger.
- 6** State-of-the-art Beckett "AFG" burner with flame retention head, PSC motor and solid state ignition (5 Year Warranty).
- 7** High temperature ceramic combustion chamber provides quiet, high efficiency combustion.
- 8** Multi-speed direct drive blower assembly with unique mounting for quietness (Adjustable belt drive on OLRA125BH and OLRA200BH).
- 9** Honeywell primary with integral fan center.
- 10** Honeywell fan/limit for simple operation.

Highboy depicted, components representative of other configurations.



Specifications

↑HIGHBOY

MODEL	NOZZLE SIZE	INPUT BTUH	OUTPUT BTUH	AFUE	NOM CIG CAPACITY	FLUE DIA. (IN.)	FILTER SIZE	VOLTS/HZ/ PHASE	MAX. TIME DELAY BREAKER OR FUSE	TRANS. VA.	SHIPPING WEIGHT LBS.
OUFA75-D3	.50GPH-80°A	70,000	58,000	83	2.0-3.0	6	16 x 25	120/60/1	15 amp	40	225
	.65GPH-80°B	90,000	74,000	83							
OUFA95-D4	.65GPH-80°B	105,000	85,000	81	2.5-4.0	6	16 x 25	120/60/1	15 amp	40	225
	.75GPH-80°B	119,000	97,000	81							
OUFA125-D5	.85GPH-80°B	140,000	113,000	81	3.0-5.0	6	16 x 25*	120/60/1	15 amp	40	275
	1.00GPH-80°B	154,000	125,000	81							

*-Requires return air to be brought in on both sides above 1600 cfm.

↓LOWBOY

MODEL	NOZZLE SIZE	INPUT BTUH	OUTPUT BTUH	AFUE	NOM CIG CAPACITY	FLUE DIA. (IN.)	FILTER SIZE	VOLTS/HZ/ PHASE	MAX. TIME DELAY BREAKER OR FUSE	TRANS. VA.	SHIPPING WEIGHT LBS.
OLFA95-D4/ OLRA95-D4	.65GPH-80°B	105,000	85,000	81	2.5-4.0	6	18 x 19	120/60/1	15 amp	40	250
	.75GPH-80°B	119,000	97,000	81							
OLFA125-D5/ OLRA125-D5	.85GPH-80°B	140,000	113,000	81	3.0-5.0	6	19 x 21	120/60/1	15 amp	40	285
	1.00GPH-80°B	154,000	125,000	81							
OLRA170-D5	1.10GPH-80°B	175,000	140,000	80	3.5-5.0	6	20 1/8 x 22 7/16	120/60/1	15 amp	40	295
	1.25GPH-80°B	210,000	168,000	80							
OLRA125-BH	.85GPH-80°B	140,000	113,000	81	3.0-5.0	6	19 x 21	120/60/1	20 amp	12*	295
	1.00GPH-80°B	154,000	125,000	81							
OLRA200-BH	1.50GPH-80°B	245,000	196,000	80	5.0-6.0	8	24 5/8x 24 3/8	120/60/1	20 amp	12*	390

*-12VA Heating only, additional transformer required for cooling.

↓DOWNFLOW/HORIZONTAL

MODEL	NOZZLE SIZE	INPUT BTUH	OUTPUT BTUH	AFUE	NOM CIG CAPACITY	FLUE DIA. (IN.)	VOLTS/HZ/ PHASE	MAX. TIME DELAY BREAKER OR FUSE	TRANS. VA.	SHIPPING WEIGHT LBS.
ODHA95-D3	.65GPH-80°B	105,000	85,000	81	2.0-3.0	6	120/60/1	15 amp	40	225
	.75GPH-80°B	119,000	97,000	81						
ODHA125-D5	.85GPH-80°B	140,000	113,000	81	3.0-5.0	6	120/60/1	15 amp	40	265
	1.00GPH-80°B	154,000	125,000	81						
OHHA95-D3*	.65GPH-80°B	105,000	85,000	82.8	2.0-3.0	6	120/60/1	15 amp	40	225
	.75GPH-80°B	119,000	97,000	81						

*-Approved for horizontal installations only.

Accessories

Thermostat, Heat Only
7600-355 (all models)
Thermostat, Digital Heat/
Cool deluxe 7800-200 (all models)

Air Cleaners

HEAC1400
HEAC2000
HMAC1200
HMAC2000
HMAR2000

Downflow/Horizontal

Combustible floor bases used on
ODHA95-D3 - 7605-100
ODHA125-D5 - 7605-101

Filters

ODHA95-D3 - 7605-102
ODHA125-D5 - 7605-103

Clean Out Kit

7605-104 (all models)



Description



HIGHBOY

58,000 to 125,000 BTUH

Compact Design

The **Patriot 80** oil furnace is available in upflow, downflow/ horizontal, rear flue, and front flue models. These configurations allow the **Patriot 80** oil furnace to be installed virtually anywhere. In fact, it is designed to fit most areas in a home including a utility room, alcoves, closets, crawl spaces, or attics. **Patriot 80** oil furnaces are available in heat only or air conditioning models.

Matched Performance

In selecting a furnace the practice of oversizing was a common occurrence under the theory that bigger was better. However, the closer you match the heating output to the heat loss of the dwelling the more money you save and the more comfortable you'll be. With the **Patriot 80** you can now match your furnace to meet the desired heating requirements of your home. Multiple firing rates achieve the right furnace to heating requirement with a simple nozzle change.

Efficiency & Versatility

The **Patriot 80** oil furnace is exceptionally efficient and versatile thanks to its powerful heat exchanger. This maximizes energy usage for less cost. Models feature multiple firing rates ranging from 58,000 to 196,000 BTUH which allows for a wider choice of heating efficiencies. All models are A.F.U.E. rated above 80%. The heat exchanger features a Limited Lifetime Warranty and all other components have a 5 year Warranty.



Description

Solid Construction

The corrosion-resistant cabinet of the *Patriot 80* is constructed of heavy gauge steel with a baked enamel finish. The primary heat exchanger is constructed of heavy-duty 14 gauge steel for long life. A high efficiency state-of-the-art multi-speed direct drive blower assures years of quiet and reliable operation.

Quiet, Clean Comfort

The *Patriot 80* features foil-faced fiberglass insulation to reduce noise and heat loss. A dense, ceramic fiber combustion chamber makes for a quieter operating and more efficient furnace. State-of-the-art engineering and top quality components combine to provide the homeowner with clean burning warm air comfort. Many models are pre-wired to easily add central air conditioning - 2 to 5 tons cooling capacity.

Trouble-Free Maintenance

All components from the welded heat exchanger to the Beckett High Efficiency Oil Burner with flame retention head help to minimize the need for service. With removable panels and easily accessible clean-out ports, all components are situated for easy access and maintenance. In addition, the *Patriot 80* features conventional components and modern technology for easy service and trouble-free operation.



LOWBOY
85,000 to 196,000 BTUH



DOWNFLOW/HORIZONTAL
85,000 to 125,000 BTUH





Blower Performance

HIGHBOY

DIRECT DRIVE MODEL	MOTOR HP.	BLOWER SIZE	TEMP RISE DEG. F	BLOWER SPEEDS	CFM@ EXT. STATIC PRESSURE - IN W.C.				
					0.2	0.3	0.4	0.5	0.6
OUFA75-D3	1/3	10 x 8	50-80	HIGH	1412	1356	1299	1222	1154
				MED. HIGH	1260	1217	1172	1120	1060
				MED.	1040	1025	991	960	910
				LOW	887	878	850	830	787
OUFA95-D4	1/2	10 x 10	50-80	HIGH	1756	1693	1940	1590	1495
				MED. HIGH	1445	1425	1400	1335	1287
				MED.	1191	1181	1147	1110	1054
				LOW	989	979	961	926	880
OUFA125-D5	3/4	12 x 9	55-85	HIGH	1950	1900	1880	1850	1800
				MED. HIGH	1620	1590	1560	1540	1490
				MED.	1250*	1230*	1210*	1190*	1155*

*Not recommended for heating. Temperature range may be outside the acceptable range.

LOWBOY

DIRECT DRIVE MODEL	MOTOR HP.	BLOWER SIZE	TEMP RISE DEG. F	BLOWER SPEEDS	CFM@ EXT. STATIC PRESSURE - IN W.C.				
					0.2	0.3	0.4	0.5	0.6
OLFA95-D4/ OLRA95-D4	1/2	10 x 9	50-80	HIGH	1760	1670	1599	1550	1410
				MED. HIGH	1603	1415	1459	1394	1307
				MED.	1373	1345	1300	1259	1188
				LOW	1162	1150	1130	1105	1033
OLFA125-D5	3/4	12 x 9	45-75	HIGH	2110	2035	1970	1950	1880
				MED.	1850	1810	1750	1690	1620
				LOW	1500	1480	1450	1420	1375
OLRA125-D5	3/4	12 x 9	50-80	HIGH	2010	1961	1900	1880	1800
				MED.	1765	1720	1660	1600	1560
				LOW	1380	1350	1330	1295	1230
OLRA170-D5	3/4	12 x 9	50-80	HIGH	2300	2220	2140	2050	1950
				MED.	1950	1870	1820	1780	1720
				LOW	1440	1430	1410	1370	1330
BELT DRIVE MODEL				MOTOR PULLEY	MOTOR PULLEY ADJ.	BLOWER PULLEY	BELT SIZE INCHES	CFM @0.2" W.C.	
OLRA125-BH	1/2	12 x 9	55-85 ^① 60-90 ^②	4	CLOSED	7"	42	1700	
OLRA200-BH	3/4	12 x 12	65-95	6	CLOSED	3.5"	42	2660	

①Low-Fire ②High-Fire

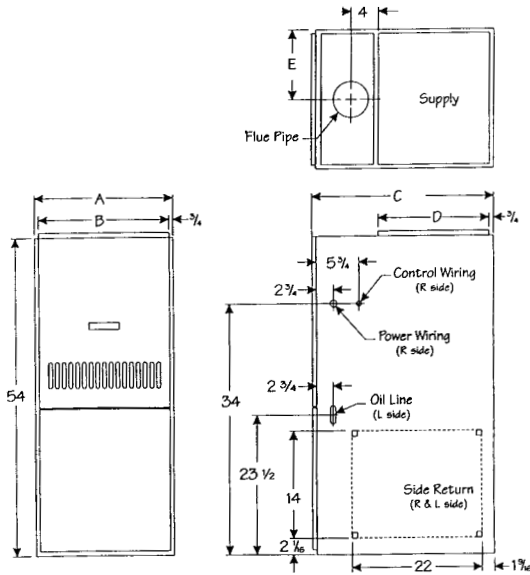
DOWNFLOW/HORIZONTAL

DIRECT DRIVE MODEL	MOTOR HP.	BLOWER SIZE	TEMP RISE DEG. F	BLOWER SPEEDS	CFM@ EXT. STATIC PRESSURE - IN W.C.				
					0.2	0.3	0.4	0.5	0.6
ODHA95-D3	1/2	10 x 10	55-85	HIGH	1470	1400	1330	1260	1180
				MED.	1360	1300	1230	1160	1085
				LOW	1070	1040	1020	980	920
ODHA125-D5	3/4	12 x 9	50-80	HIGH	1950	1920	1900	1870	1780
				MED.	1700	1650	1600	1580	1500
				LOW	1340*	1300*	1270*	1220*	1170*
OHHA95-D3	1/2	10 x 10	50-80	HIGH	1470	1400	1330	1260	1180
				MED.	1360	1300	1230	1160	1085
				LOW	1070	1040	1020	980	920

*Not recommended for heating. Temperature range may be outside the acceptable range.

HIGHBOY

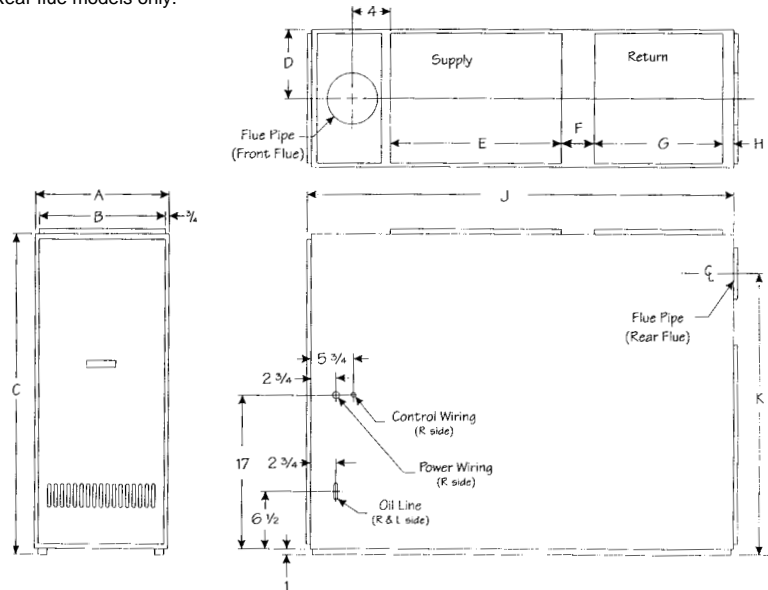
DIMENSIONS	A	B	C	D	E
OUFA75/95	19-1/2	18	30-5/8	19-5/8	9-3/4
OUFA125	22-1/2	21	33-1/8	22-1/8	11-1/4
CLEARANCES	FRONT	SIDE	REAR		
All upflow models	4	0	0		



LOWBOY

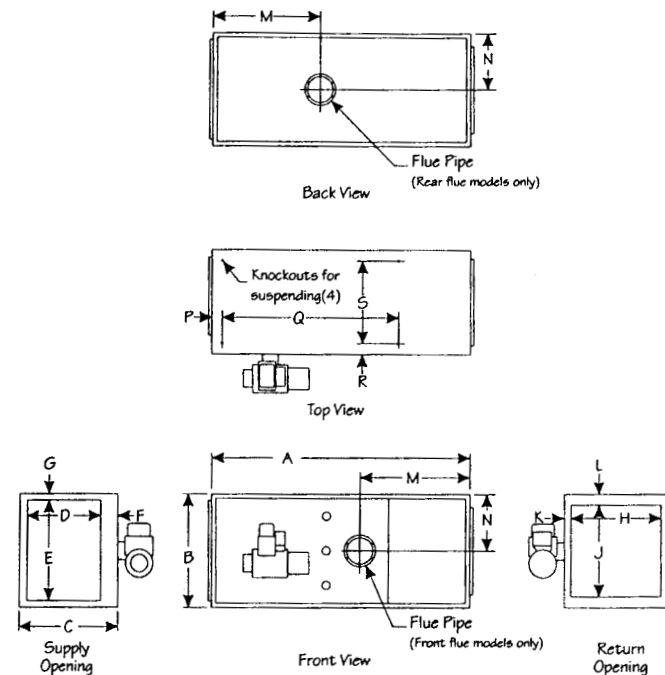
DIMENSIONS	A	B	C	D	E	F	G	H	J	K*
OLFA95/OLRA95	19-1/2	18	37	9-3/4	21	3-1/4	16	1-1/2	52-1/8	27
OLFA125/OLRA125	22-1/2	21	37	11-1/4	21	3-1/4	16	1-1/2	52-1/8	29
OLRA170	24	22-1/2	39	12	23-1/8	2-1/4	18	1	54-3/4	29
OLRA200	26	24-1/2	42	13	24-1/2	2-7/16	23	7/8	61-1/8	32

* Rear flue models only.



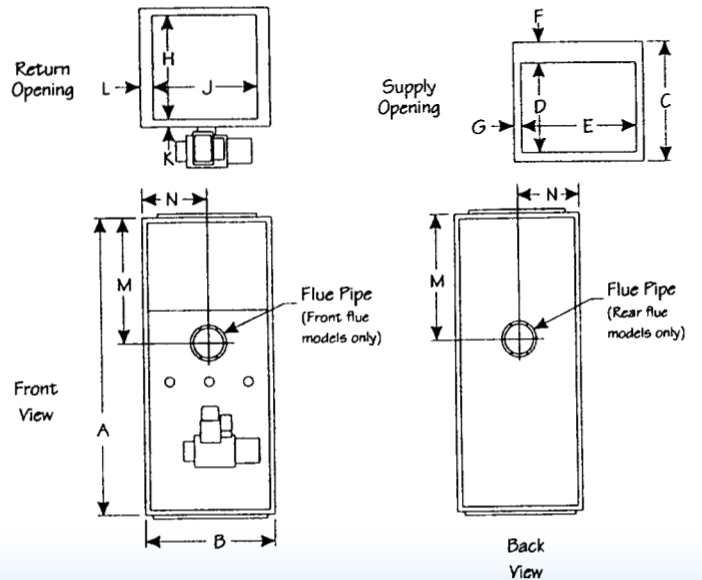
DOWNFLOW/HORIZONTAL

DIMENSIONS	A	B	C	D	E	F	G	H	J	K	L	M	N	P	Q	R	S
ODHA95/OHHA95	59	20-1/2	20-1/2	18-1/4	18-1/4	1-1/4	1-1/4	18	18	1-1/4	1-1/4	32-1/2	10-1/4	3	53	3	14-1/2
ODHA125	59	23-1/2	23-1/2	21-1/4	21-1/4	1-1/4	1-1/4	21	21	1-1/4	1-1/4	32-1/2	11-3/7	3	53	4-3/4	14-1/2



CLEARANCES

HORIZONTAL POSITION	FRONT	ABOVE	REAR	FLUE	BOTTOM
ODHA95/ODHA125	24	1	1	7	1
OHHA95					
DOWNFLOW POSITION	FRONT	ABOVE	REAR	FLUE	
ODHA95/ODHA125	16	0	1	7	



Comfort-Aire offers a full line of quality constructed, energy efficient oil furnaces to keep your family warm and comfortable throughout the winter months. All Patriot 80 oil models feature a Limited Lifetime Heat Exchanger Warranty with 5 years on all parts.

Most models are designed to accept air conditioning.

These units will provide a comfortable environment for you and your family year round.

Please take a look inside for a detailed description of the fine line of oil furnaces we offer, then consult with your builder or local dealer for recommendations on which of these models will best suit your personal needs and lifestyles.

Ask about Energy Knight® Central Air Conditioning and Air Cleaners for Cool Comfort this summer



Specifications and performance data subject to change without notice.

HEAT CONTROLLER, INC.

1900 WELLWORTH AVENUE • JACKSON, MICHIGAN 49203
THE QUALITY LEADER IN CONDITIONING AIR

visit us at www.heatcontroller.com

