

NEW

UPE

UPE Universal Range

Improved Wide Tolerance Couplings and Flange Adaptors

Benefits

- An increased tolerance of up to 28mm offers exceptional versatility
- Improved tolerances allow for even greater reductions in stock
- Unique, high efficiency seal design reduces installation time and effort
- Consistently secure joints are achieved due to the low torque requirement of 35 - 40Nm
- No disassembly of the fitting is required and there are no loose components
- Flange adaptor sleeve designed to ensure flange connecting bolts have full access without product disassembly
- Careful design and use of materials provides reduced weight for easy transportation and handling
- Increased angular deflection of +/- 5° for Flange Adaptors and +/- 10° for Couplings allows greater flexibility for the installer.
- Suits all common rigid pipe materials
- Prolonged life of fitting due to the high quality corrosion protective coating used

Testing - EN 14525

Amongst the EN14525 testing criteria is a need to complete a shear load cyclic test (fatigue test). This involves structural testing of each product size to 40 bar followed by all fittings being deflected 5° for each gasket for 24,000 cycles whilst under a cyclic pressure ranging from 5 bar to 18 bar.



Mains Connections - Universal

This new generation of improved Universal fittings from UPE has enhanced features that offer significant customer benefits including reduced stocking, faster installation and conformance to the rigorous requirements of the EN14525 standard.

This improved range of UPE Universal wide tolerance couplings and flange adaptors can be used on almost any plain-ended rigid pipe material from 40mm to 300mm pipe nominals. This flexibility combined with each fittings ability to accommodate a wide variety of pipe sizes makes the UPE Universal fitting a versatile and economical product to use.

Improved UPE Universal Fittings



How the Universal Gasket Works

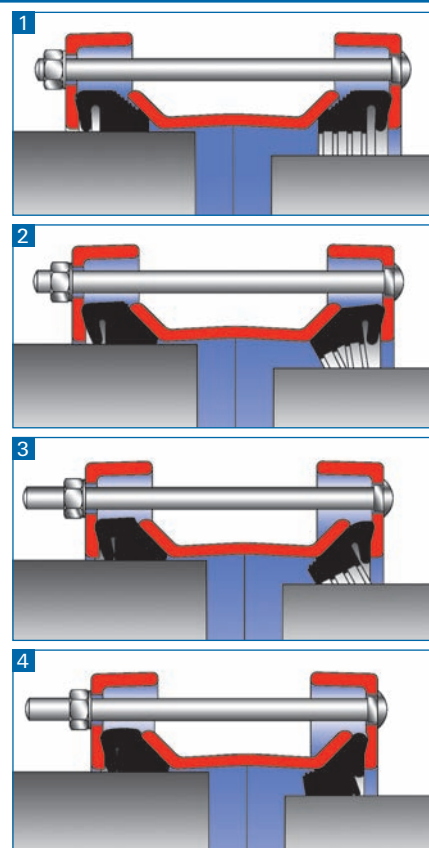
The unique, patented* gasket design provides a highly efficient seal with minimal internal resistance during gasket compression. The gasket compression is illustrated to the right.

When the bolts are tightened the back face of the gasket is held by the taper on the inner face of the end ring. As the bolts are tightened further the slot in the gasket will allow compression with minimal loading. This action enables the gasket to compress radially, providing a strong self centring characteristic. Once the gasket contacts the pipe wall its sealing area progressively increases until the full sealing potential of the gasket and required loading is obtained. Due to the efficient nature of the gasket's compression the product tightening torque reduces significantly from the existing 61 - 68 Nm to 35 - 40 Nm.

In addition to this the bolt travel required to achieve a fully effective seal has been reduced by approximately 30%

Technical help

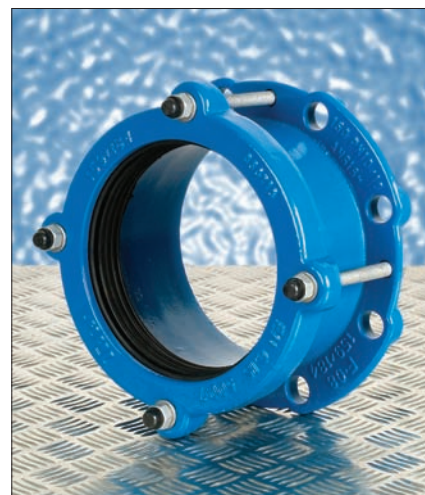
For further technical data, product specifications and general information please contact our Customer Service or Technical Departments at the telephone number shown below.



*Patent pending
All materials used with the UPE Universal fitting that come into contact with potable water are WRAS listed

Flange Adaptors - Range, Weights and Dimensions - Items shown in bold available from May 2006

DN	Tolerance Range	Part Number		Weight kg	Hex Bolt (mm) Steel 6.8	Dimensions (mm)		
		Black (NBR)	Blue (EPDM)			Length	Ø	Setting Gap
40	44/57	U6248	U6222	TBA	TBA	TBA	TBA	TBA
50	55/70	U6249	U6206	3.00	M12 x 140	151	176	19mm
65	68/86	U6250	U6207	4.00	M12 x 140	151	191	19mm
80	84/106	U6251	U6208	4.70	M12 x 140	151	211	19mm
100	106/130	U6252	U6209	5.70	M12 x 140	151	241	19mm
125	125/148	U6253	U6223	TBA	TBA	TBA	TBA	TBA
125	140/161	U6254	U6224	TBA	TBA	TBA	TBA	TBA
150	159/184	U6255	U6210	7.50	M12 x 140	153	279	19mm
175	180/205	U6256	U6225	TBA	TBA	TBA	TBA	TBA
200	200/227	U6257	U6226	TBA	TBA	TBA	TBA	TBA
200	218/245	U6258	U6211	13.10	M12 x 200	214	335	19mm
225	243/271	U6259	U6227	TBA	TBA	TBA	TBA	TBA
250	270/297	U6260	U6228	TBA	TBA	TBA	TBA	TBA
250	292/318	U6261	U6229	TBA	TBA	TBA	TBA	TBA
300	311/336	U6262	U6230	TBA	TBA	TBA	TBA	TBA
300	334/361	U6263	U6231	TBA	TBA	TBA	TBA	TBA



Flange Adaptors - Flange Drillings - Items shown in bold available from May 2006

DN	Tolerance Range	Part Number		EN 1092-2 (BS4504) ISO7005-1 1992	BS10 Table D/E	AS4087:2004	ANSI B16
		Black (NBR)	Blue (EPDM)				
40	44/57	U6248	U6222	DN40/50 x PN10/16/25	-	DN50 x PN14	-
50	55/70	U6249	U6206	DN 50/65 x PN10/16/25/40	-	DN65 x PN14/16	Class 125/150 (2.5")
65	68/86	U6250	U6207	DN65/80 x PN10/16/25/40	-	DN80 x PN14/16	Class 125/150 (2.5"/3")
80	84/106	U6251	U6208	DN80/100 x PN10/16/25/40	3.5"	DN100 PN14/16	Class 125/150 (3.5")
100	106/130	U6252	U6209	DN100/125 x PN10/16	4"	DN100 PN14/16	Class 125/150 (3.5"/4")
125	125/148	U6253	U6223	DN125/150 x PN10/16	5" & 6"	DN150 x PN14/16	Class 125, 150, 250, 300 (5"/6")
125	140/161	U6254	U6224	DN125/150 x PN10/16	5" & 6"	DN150 x PN14/16	Class 125, 150, 250, 300 (5"/6")
150	159/184	U6255	U6210	DN150 x PN10/16	-	-	Class 125/150 (6")
175	180/205	U6256	U6225	DN200 x PN10/16	-	-	Class 125/150 (8")
200	200/227	U6257	U6226	DN200 x PN10/16	-	-	Class 125/150 (8")
200	218/245	U6258	U6211	DN200 x PN10/16	-	-	Class 125/150 (8")
225	243/271	U6259	U6227	DN250 x PN10/16	-	-	Class 125/150 (10")
250	270/297	U6260	U6228	DN250 x PN10/16	-	-	Class 125/150 (10")
250	292/318	U6261	U6229	DN250 x PN10/16	-	-	Class 125/150 (10")
300	311/336	U6262	U6230	DN300 x PN10/16	12"	DN300 x PN16	Class 125/150 (12")
300	334/361	U6263	U6231	DN300 x PN10/16	12"	DN300 x PN16	Class 125/150 (12")

Couplings - Range, Weights and Dimensions - Items shown in bold available from May 2006

DN	Tolerance Range	Part Number		Weight kg	CSq Bolt (mm) Steel 6.8	Dimensions (mm)		
		Black (NBR)	Blue (EPDM)			Length	Ø	Setting Gap
40	44/57	U6232	U6212	TBA	TBA	TBA	TBA	TBA
50	55/70	U6233	U6200	2.90	M12 x 170	177	159	19mm
65	68/86	U6234	U6201	3.90	M12 x 170	177	171	19mm
80	84/106	U6235	U6202	4.80	M12 x 170	177	197	19mm
100	106/130	U6236	U6203	5.90	M12 x 170	177	225	19mm
125	125/148	U6237	U6213	TBA	TBA	TBA	TBA	TBA
125	140/161	U6238	U6214	TBA	TBA	TBA	TBA	TBA
150	159/184	U6239	U6204	8.30	M12 x 190	197	281	19mm
175	180/205	U6240	U6215	TBA	TBA	TBA	TBA	TBA
200	200/227	U6241	U6216	TBA	TBA	TBA	TBA	TBA
200	218/245	U6242	U6205	11.00	M12 x 220	227	345	19mm
225	243/271	U6243	U6217	TBA	TBA	TBA	TBA	TBA
250	270/297	U6244	U6218	TBA	TBA	TBA	TBA	TBA
250	292/318	U6245	U6219	TBA	TBA	TBA	TBA	TBA
300	311/336	U6246	U6220	TBA	TBA	TBA	TBA	TBA
300	334/361	U6247	U6221	TBA	TBA	TBA	TBA	TBA



Tyco Waterworks

Edison Road

Hams Hall Distribution Park

Coleshill, Birmingham

B46 1AB United Kingdom

Telephone: +44 (0)1675 437 900

Facsimile: +44 (0)1675 437 909

e-mail: wwinfo@tyco-valves.com

web: www.tycowaterworks.com

Product Introduction

This new range of Universal fittings will be fully introduced by the end of 2006. Initial supply will be the popular sizes highlighted above in bold and will be available from May 2006 in Blue EPDM format. All other sizes will become available during autumn 2006 together with additional options of stainless steel bolting and a black NBR product for use with gas. The range will be further enhanced with stepped couplings and end caps during early 2007.

The existing range of UPE universal fittings will continue to be available until the end of 2006.

We reserve the right to change the design and specification without notice.

© Tyco 2007 .pdf (06/07) TUPE/101.3