

Features

- Premium material construction.
- Intended for use with Rite-Temp® or HiFlow Rite-Temp® valves.
- Sculpted lever handle.

Required Accessories

- K- 304-K Pressure-balancing Valve Less Stops
- or
- K- 304-KS Pressure-balancing Valve With Stops
- or
- K- 304-CS Pressure-balancing Valve With Stops
- or
- K- 304-CX Pressure-balancing Valve Less Stops
- or
- K- 304-PS Pressure-balancing Valve With Stops
- or
- K- 304-PX Pressure-balancing Valve Less Steps
- or
- K- 304-US Pressure-balancing Valve With Stops
- or
- K- 304-UX Pressure-balancing Valve Less Stops
- or
- K- 2971-KS 3/4" Pressure-balancing Valve

Recommended Accessories

88526 Thin Wall Trim Kit

Optional Accessories

1025388

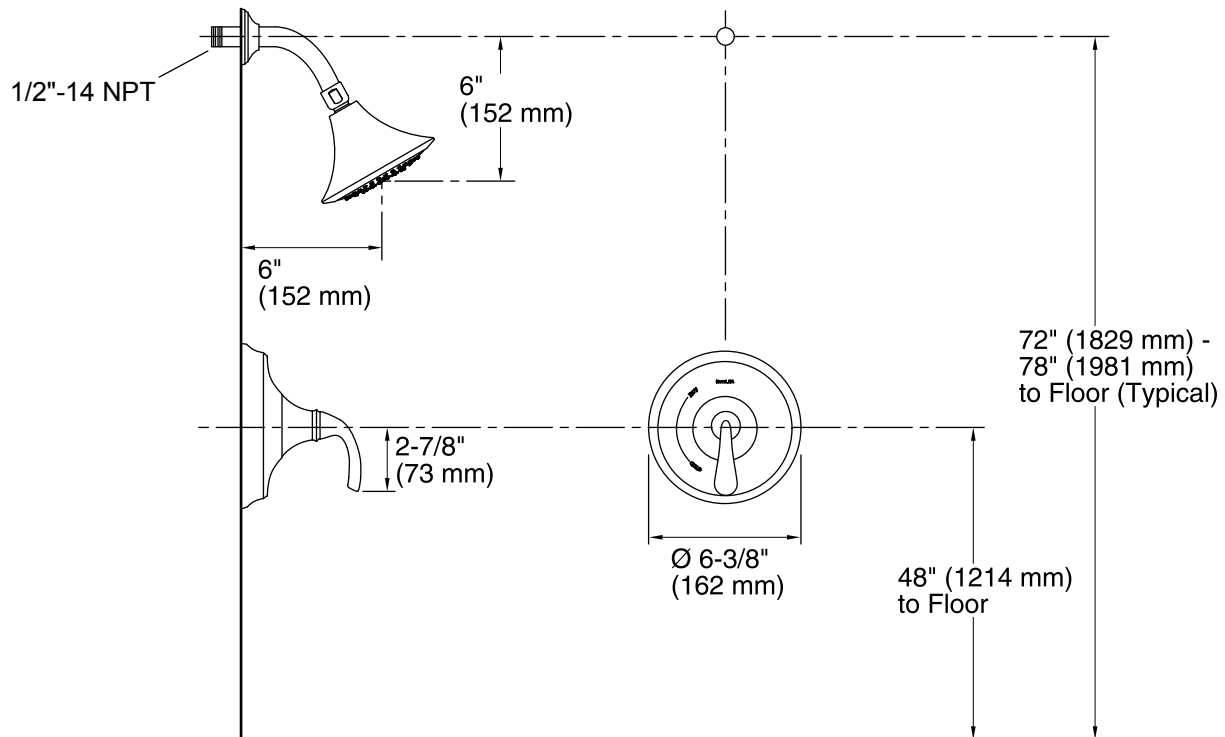


Codes/Standards

ASME A112.18.1/CSA B125.1
ASSE 1016

KOHLER® Faucet Lifetime Limited Warranty

See website for detailed warranty information.



Technical Information

All product dimensions are nominal.

Showerhead:

Rated maximum flow: 2.5 gal/min (9.5 l/min)

Notes

NOTICE: Risk of product damage. Long screws, for installing trim, can damage the K-2971-KS valve. Consult the trim installation guide to verify if the thin wall installation kit (88526) is needed.

Install this product according to the installation guide.

Install Rite-Temp valve according to valve installation guide.

Avoid cross-flow conditions. Do not install a shut-off device on either valve outlet.

Cap the shower outlet if the deck-mounted spout, diverter, or handshower is connected to the spout outlet.

If installing a K-304 valve, install straight pipe or tube drop of 7" (178 mm) to 18" (457 mm) with single elbow between the valve and the wall-mount spout.