

1 PC STANDARD PORT 150# FLANGED

Features:

- Standard Port
- 150 WSP
- Flanged Connection
- TFM Seats
- Stainless Steel Trim
- Anti Static Design
- Blow-out Proof Stem
- Investment Cast Body
- Adjustable Packing
- Locking Device
- Actuator Mounting Pad
- Manufactured Silicone Free
- Sizes 2" to 6"

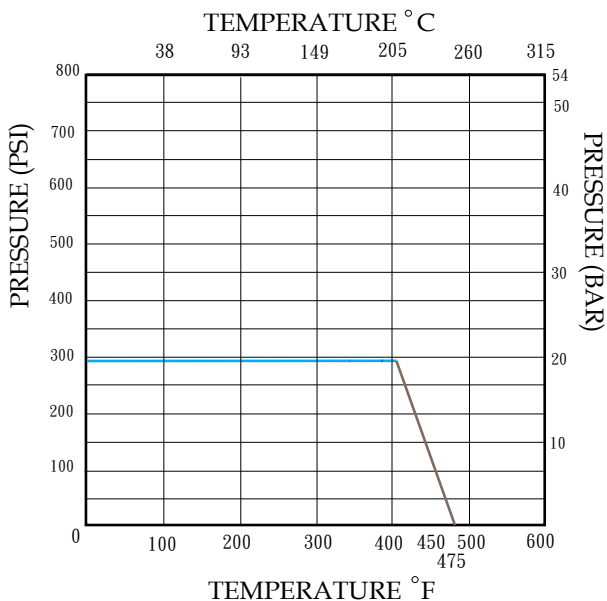
Standards:

- Design: ASME B16.34
- Pressure Test: API 598
- Flange Dimensions: ASME B16.5
- Materials: ASME B16.34
- Mounting Pad: ISO 5211



Figure Number Matrix

FNW 500A	<u>Size</u>
	<u>SIZE CODE</u>
	2 = K
	2-1/2 = L
	3 = M
	4 = P
	6 = U



Cv & Weight

Size	Cv	Wt (lbs)
2	165	16.3
2-1/2	240	23.1
3	290	32.6
4	690	51.1
6	900	90.4

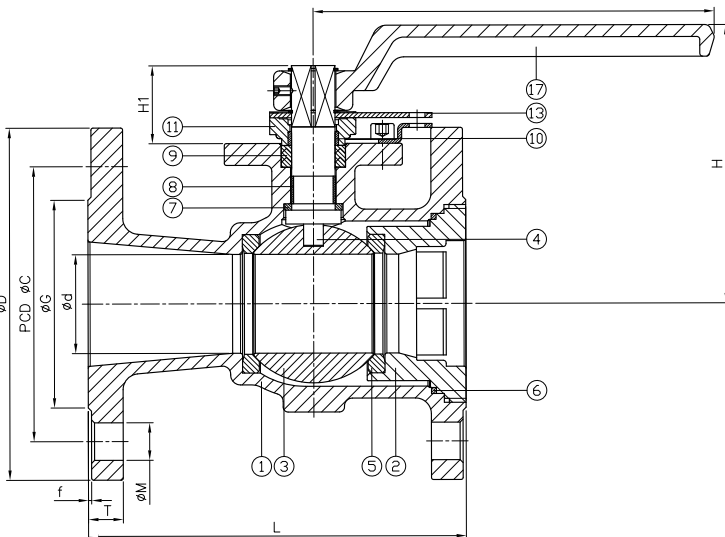
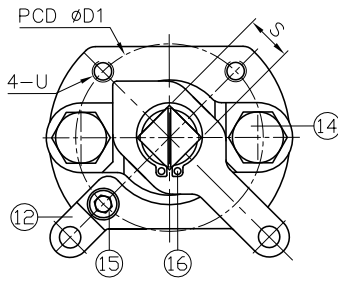
Torque

Size	Torque (in-lbs)
2	221.3
2-1/2	354
3	619.6
4	752.3
6	1,814.5

2-4" 1 PC STANDARD PORT 150# FLANGED

Standard Materials

ITEM	PARTS	MATERIAL
1	BODY	ASTM A351-CF8M
2	CAP	
3	BALL	ASTM A351-CF8M
4	STEM	ASTM A276-316
5	BALL SEAT	TFM 1600
6	BODY SEAL	PTFE
7	THRUST WASHER A	
8	THRUST WASHER B	
9	PACKING	AISI 304
10	BUSHING	
11	GLAND	
12	BRACKET	
13	STOPPER	ASTM A216-WCB
14	BOLT	
15	BOLT	
16	CIRLIPS FOR SHAFTS	
17	HANDLE	



Dimensions

NPS	d	G	C	D	L	H	H1	W	T	f	N	M	S	D1	U	Torque (in-lb)	Weight (lb)
2"	1.97	3.62	4.75	6	7.01	5.08	1.5	7.99	0.63	0.06	4	0.75	0.67	2.76	5/16"-18UNC	221.3	16.3
2-1/2"	2.48	4.13	5.5	7	7.48	5.39	1.5	7.99	0.69	0.06	4	0.75	0.67	2.76	5/16"-18UNC	354	23.1
3"	3.15	5	6	7.5	7.99	6.22	2.3	12.87	0.75	0.06	4	0.75	0.87	4.02	3/8"-16UNC	619.6	32.6
4"	3.86	6.18	7.5	9	9.02	7.13	2.3	12.87	0.94	0.06	8	0.75	0.87	4.02	3/8"-16UNC	752.3	51.1

DOC: FNW500A05 Ver. 01/2012

© 2012 - FNW. All rights reserved.

The FNW logo is a trademark of Ferguson Enterprises, Inc., PL Sourcing, PO Box 2778, Newport News, VA 23609

The contents of this publication are presented for information purposes only, and while effort has been made to ensure their accuracy, they are not to be construed as warranties or guarantees, expressed or implied, regarding the products or services described herein or their use or applicability. All sales are governed by our terms and conditions, which are available on request. We reserve the right to modify or improve the designs or specifications of our products at any time without notice. Always verify that you have the most recent product specifications or other documentation prior to the installation of these products.