

Features

- Frameless design highlights showering area.
- Two-roller compression latches allow for smooth secure door closure.
- A concealed hinge provides smooth, stable operation.
- No top header eliminates clearance issues.
- Frameless, 1/4" (6 mm) thick Falling Lines tempered glass.
- Elegant inside and outside brass pull handles complete the look of this door.
- CleanCoat® technology creates a barrier between the water and glass to help keep your shower door looking new.

Material

- Anodized aluminum prevents rusting or corrosion.
- Tempered glass ensures maximum safety and durability.

Installation

- Out-of-plumb adjustability allows for simpler installation.
- Can be installed to open to the left or right.

Components

Additional included component/s: Hardware kit.



Codes/Standards

CPSC 16CFR 1201
ANSI Z97.1 (Tempered Glass)

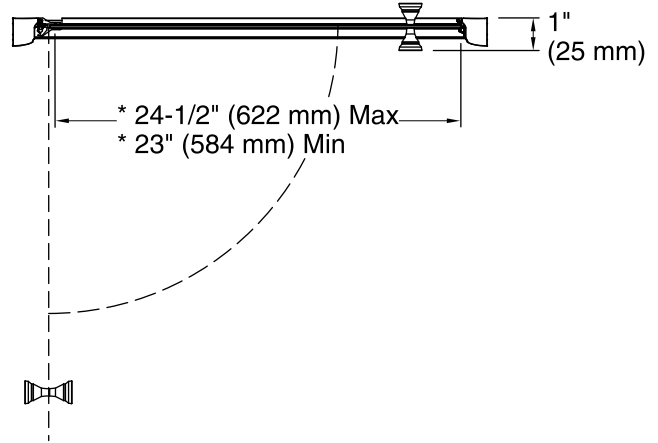
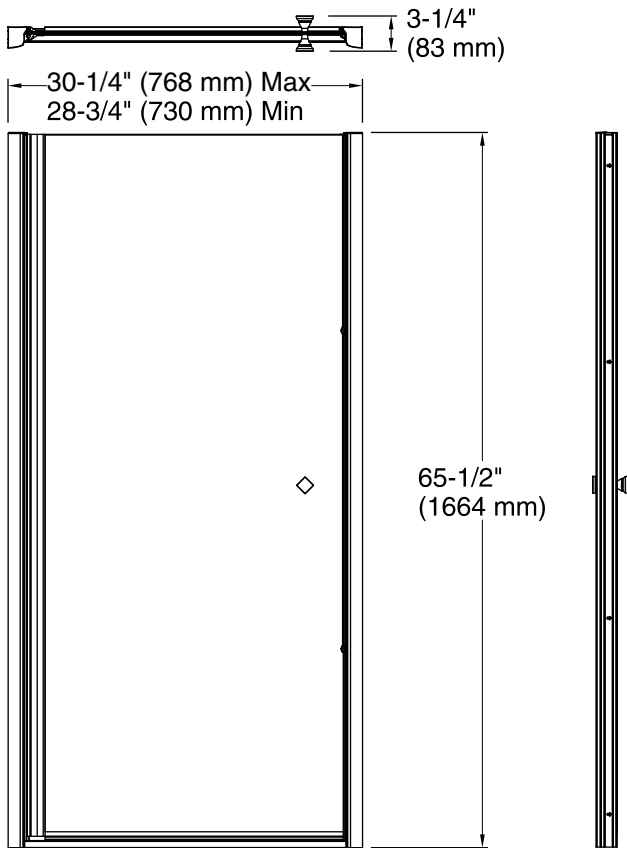
KOHLER® One-Year Limited Warranty

See website for detailed warranty information.

Available Color/Finishes

Color tiles intended for reference only.

Color	Code	Description
	SH	Bright Silver
	MX	Matte Nickel
	ABV	Anodized Brushed Bronze



* Walk-Through

Technical Information

All product dimensions are nominal.

Installation type: For receptor installation

Opening style: Pivot

Opening Width - Min: 28-3/4" (730 mm)

Opening Width - Max: 30-1/4" (768 mm)

Walk-through - Min: 23" (584 mm)

Walk-through - Max: 24-1/2" (622 mm)

Glass thickness: 1/4" (6 mm)

Notes

Install this product according to the installation guide.