

Figure 600 STAINLESS STEEL BALL VALVES



2 PC FULL PORT 150# FLANGED

Features:

- Full Port
- RTFE Seats Standard
- Stainless Steel Trim Standard
- Blow-out Proof Stem Design
- AntiStatic Design
- Adjustable Packing
- Removable Stop Plate and Locking Device

Standards:

- API 6D Approved
- API 598
- ANSI B16.5 Class 150 Flanges
- ANSI B16.10 Face to Face Dimensions
- ASME B16.34 Materials
- ISO 5211 Actuator Mounting Pad Bolt Circle
- MSS SP-55, SP-61, and SP-72
- Optional Fire Safe to API 607 4th Addition



Standard Materials

Ref. No.	Description	Material		Qty
		600	600A	
1	Body	ASTM A351 Gr. CF8M		1
2	Ball	316SS		1
3	End Cap	ASTM A351 Gr. CF8M		1
4	Seat	RTFE (PTFE+15% G.F.)		2
5	Body Seal	PTFE	Grafoil+316SS	1
6	Stem	316SS		1
7	Stem Packing	PTFE	Grafoil	1 Set
7A	Stem Bushing	PTFE		1
7B	Bearing	PTFE		1
8	Handle	ASTM A536		1
9	Snap Ring	304SS		2
9A	Stop Plate	304SS		1
10	Thrust Washer	PTFE	PTFE+Grafoil	1
11	Gland	304SS		1
13	Gland Bolt	304SS		2
17	Body Stud	ASTM A193 Gr. B8		4-12
18	Body Nut	ASTM A194 Gr. 8		4-12

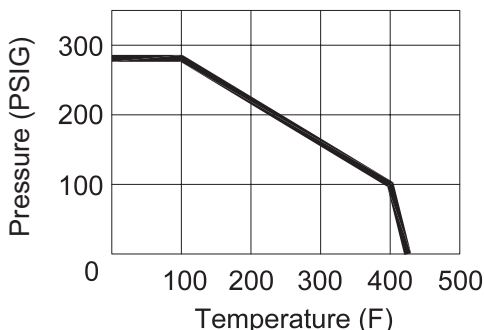


Figure Number Matrix

FNW 6 0 0 SEAT X			
SEAT STYLE		SIZE CODES	
BLANK = STANDARD SEAT	1/2 = D	2-1/2 = L	
A = API FIRE SAFE SEAT	3/4 = F	3 = M	
	1 = G	4 = P	
	1-1/4 = H	6 = U	
	1-1/2 = J	8 = X	
	2 = K	10 = 10	

For other valve materials or configurations, contact FNW Valve at (503) 287-8383 for sales assistance.

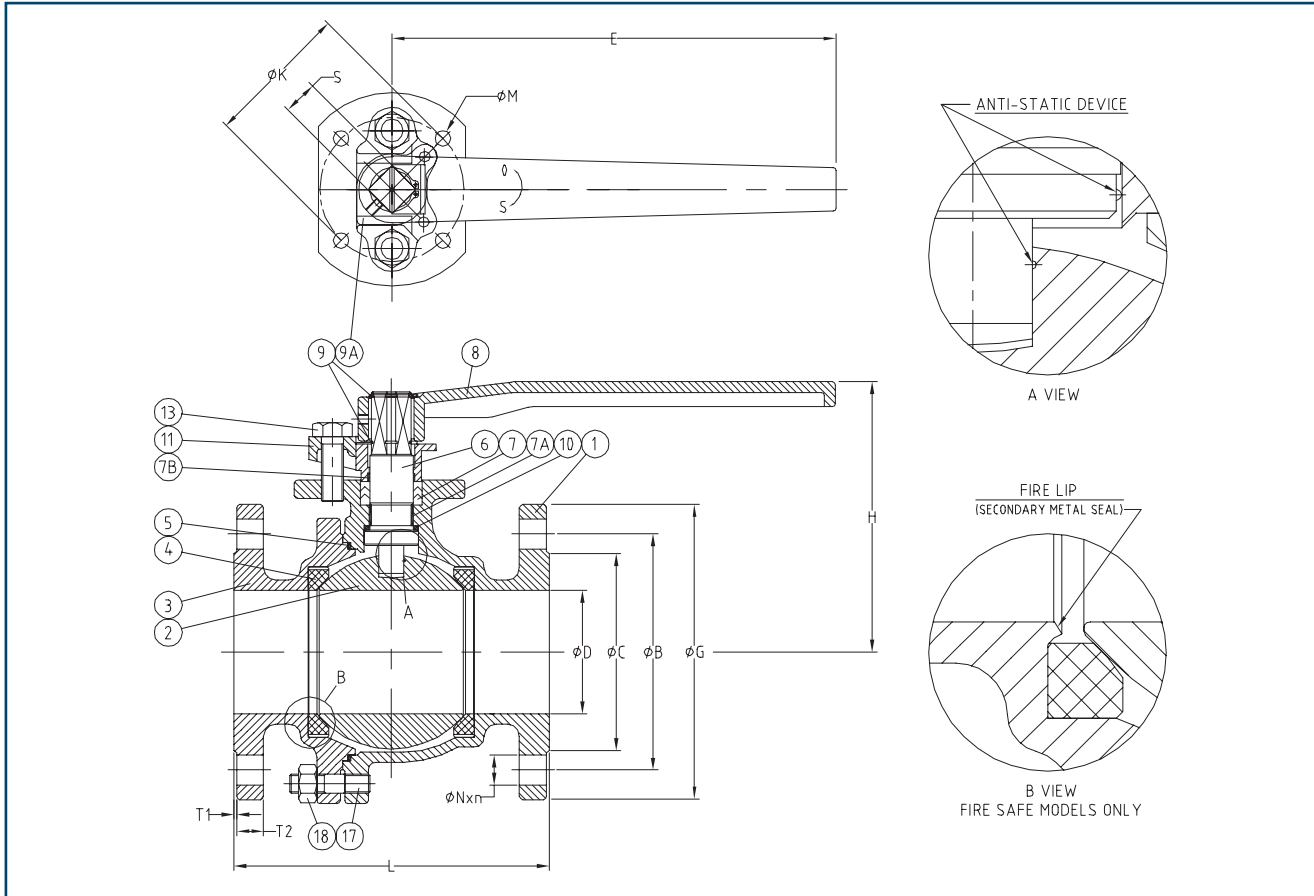
Cv & Weights

Size	Cv	Wt. (lbs)
1/2	26	4
3/4	61	5
1	114	7
1-1/2	268	14
2	501	20
2-1/2	804	31
3	1158	44
4	2118	71
6	5074	168
8	9250*	325
10	15170*	737

Torque

Size	Torque (in-lbs)
1/2	144
3/4	168
1	216
1-1/2	360
2	500
2-1/2	700
3	816
4	2,640
6	4,800
8	12,000
10	20,357

2 PC FULL PORT 150# FLANGED



Dimensions (Inches)

Size	ØB	ØC	ØD	E	ØG	L	H	S	ØK	ØM	T1	T2	n	ØN
1/2	2.38	1.38	0.50	5.59	3.50	4.25	3.10	0.433	1.65	1/4-20	0.06	0.44	4	0.62
3/4	2.75	1.69	0.75	5.59	3.88	4.62	3.61	0.433	1.65	1/4-20	0.06	0.44	4	0.62
1	3.12	2.00	1.00	5.59	4.25	5.00	3.04	0.551	1.97	1/4-20	0.06	0.44	4	0.62
1-1/2	3.88	2.88	1.50	7.87	5.00	6.50	4.36	0.669	2.76	5/16-18	0.06	0.56	4	0.62
2	4.75	3.62	2.00	7.87	6.00	7.00	4.66	0.669	2.76	5/16-18	0.06	0.62	4	0.75
2-1/2	5.50	4.12	2.50	7.87	7.00	7.50	5.57	0.669	2.76	5/16-18	0.06	0.69	4	0.75
3	6.00	5.00	3.00	12.93	7.50	8.00	6.64	0.866	4.02	3/8-16	0.06	0.75	4	0.75
4	7.50	6.19	4.00	12.93	9.00	9.00	7.55	0.866	4.02	3/8-16	0.06	0.94	8	0.87
6	9.50	8.50	6.00	29.62	11.00	15.50	10.89	1.063	4.92	1/2-13	0.06	1.00	8	0.87
8	11.75	10.62	7.87	39.37	13.50	17.99	11.81	0.866	5.51	5/8-11	0.06	1.12	8	0.87
10	14.25	12.76	9.84	39.37	15.98	21.00	13.78	1.063	6.50	3/4-10	0.06	1.20	12	1.00

DOC: FNWBV60005 Ver. 7/05

© 2005 - FNW. All rights reserved.

The FNW logo is a registered trademark of Ferguson Enterprises, Inc.

The contents of this publication are presented for information purposes only, and while effort has been made to insure their accuracy, they are not to be construed as warranties or guarantees, expressed or implied, regarding the products or services described herein or their use or applicability. All sales are governed by our terms and conditions, which are available on request. We reserve the right to modify or improve the designs or specifications of our products at any time without notice.