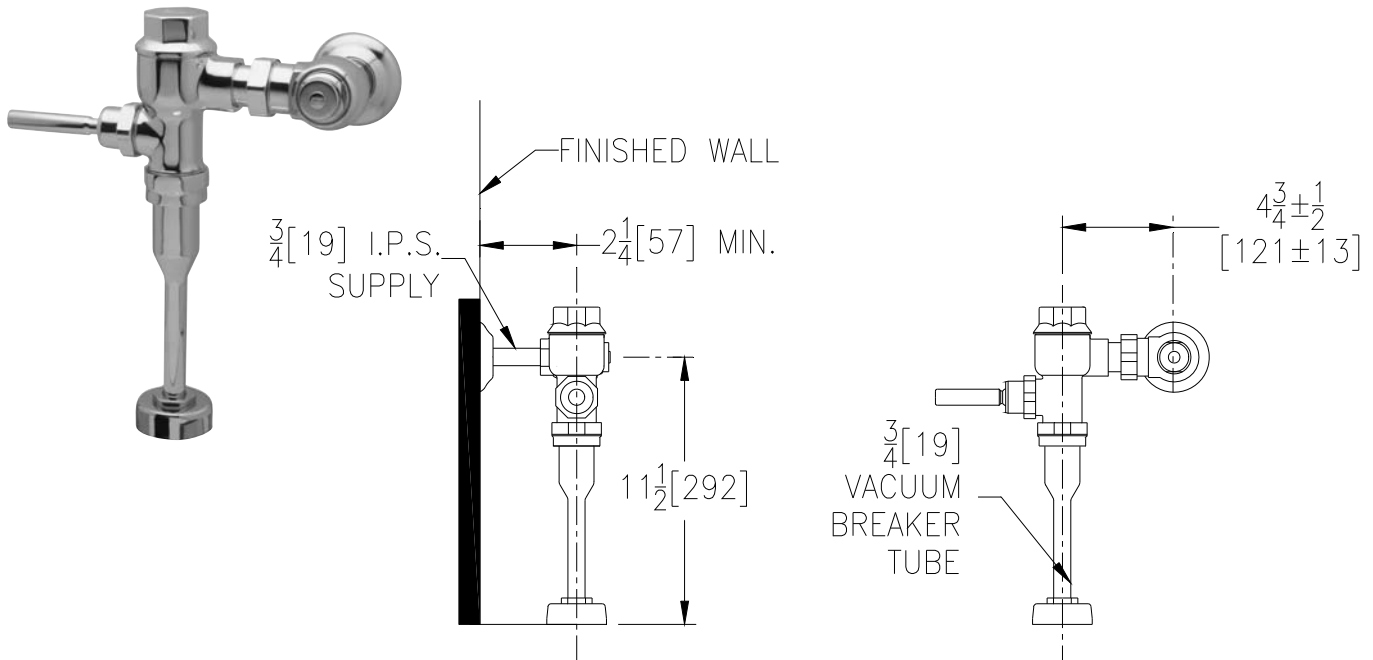




Metroflush™

TAG _____

Exposed Z6203 Model Metroflush Piston Operated Flush Valve For 3/4" Urinal Valves



Flow Options

- EWS** 0.5 Gallons Per Flush
- WS1** 1.0 Gal. Low Consumption Flush
- FF** 3.0 Gal. Full Flush
- Standard Flush** 1.5 Gallons Per Flush

Suffix Options (Check/Specify Appropriate Options)

- _____ **-L** 1" [25] Metal Push Button
- _____ **-L3** 3" [76] Metal Push Button
- _____ **-VC** Vandal Resistant Stop Cover
- _____ **-XYV** Less Vacuum Breaker
- _____ **-YB** Sweat Solder Kit
- _____ **-YC** Cast Wall Flange
- _____ **-YJ** Split Ring Pipe Support
- _____ **-YK** Solid Ring Pipe Support
- _____ Other

ENGINEERING SPECIFICATION: ZURN Z6203 Metroflush Piston Operated Exposed Urinal Flush Valve-

The Metroflush is an exposed, quiet piston type, chrome plated flushometer valve with polished exterior. Complete with Zurn MetroVantage chloramine resistant piston with a clog resistant filtered by-pass. The valve is ADA compliant with a non-hold open and no-leak handle feature, high back pressure vacuum breaker, one piece hex coupling nut, adjustable tailpiece, spud coupling and flange for top spud connection. Control stop has internal siphon-guard protection. Internal seals are made of chloramine resistant materials.

This space is for Architectural/engineering Approval

ZURN INDUSTRIES, INC. ♦ COMMERCIAL BRASS OPERATION ♦ 5900 ELWIN BUCHANAN DRIVE ♦ SANFORD NC 27330

Phone: 1-800-997-3876 ♦ Fax: 919-775-3541 ♦ World Wide Web: www.zurn.com

In Canada: ZURN INDUSTRIES LIMITED ♦ 3544 Nashua Drive ♦ Mississauga, Ontario L4V1L2 ♦ Phone: 905-405-8272 Fax: 905-405-1292