



ITT

Wastewater

Goulds Pumps

WS_BF Series Model 3887BF

Submersible Sewage Pump

Prosurance available for residential applications.



FEATURES

- **Impeller:** Cast iron, semi-open, non-clog, dynamically balanced with pump out vanes for mechanical seal protection.
- **Casing:** Cast iron flanged volute type for maximum efficiency. Designed for easy installation on A10-20 slide rail or base elbow rail systems.
- **Mechanical Seal:** Silicon Carbide vs. Silicon Carbide sealing faces for superior abrasive resistance, stainless steel metal parts, BUNA-N elastomers.
- **Shaft:** Corrosion resistant, 300 series stainless steel. Threaded design. Locknut on all models to guard against component damage on accidental reverse rotation.
- **Fasteners:** 300 series stainless steel.
- Capable of running dry without damage to components.
- Designed for continuous operation, when fully submerged.



AGENCY LISTINGS



Tested to UL 778 and CSA 22.2 108 Standards
By Canadian Standards Association — File #LR38549
Goulds Pumps is ISO 9001 Registered.

Goulds Pumps is a brand of ITT Corporation.

www.goulds.com

Engineered for life



ITT

GOULDS PUMPS Wastewater

APPLICATIONS

Specifically designed for the following uses:

- Homes
- Sewage systems
- Dewatering/Effluent
- Water transfer
- Light industrial
- Commercial applications

Anywhere waste or drainage must be disposed of quickly, quietly and efficiently.

SPECIFICATIONS

Pump

- Solids handling capabilities: 2" maximum.
- Capacities: up to 185 GPM.
- Total heads: up to 38 feet TDH.
- Discharge size: 2" NPT threaded companion flange as standard. 3" option available but must be ordered separately. (Order no. A1-3)
- Temperature: 104°F (40°C) continuous
140°F (60°C) intermittent.

MOTORS

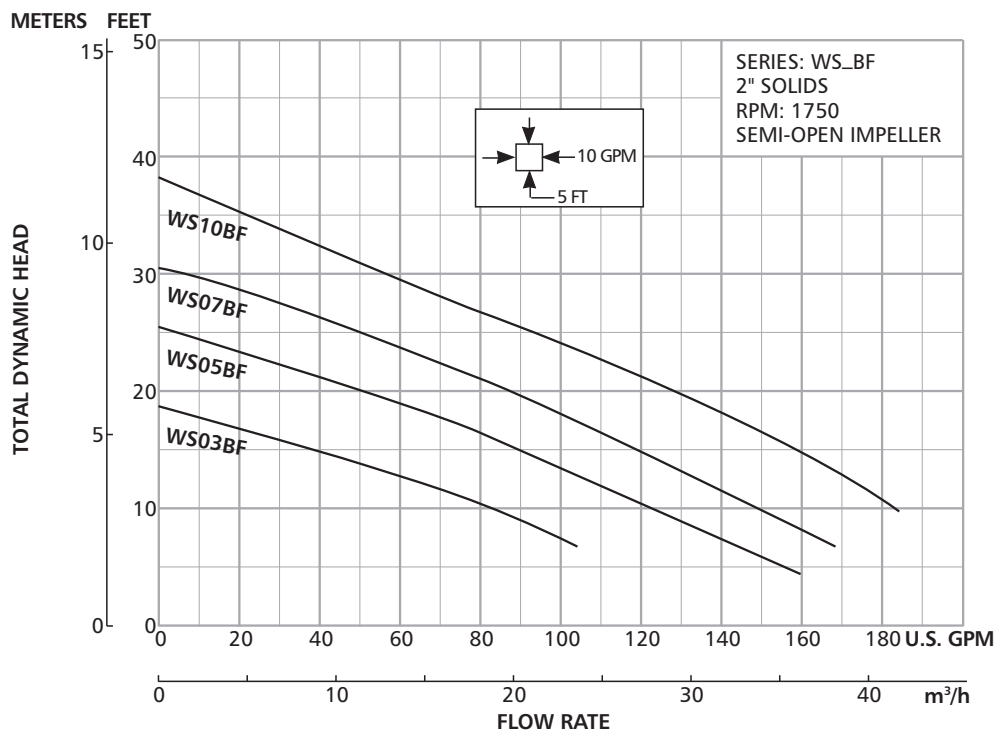
- Fully submerged in high grade turbine oil for lubrication and efficient heat transfer. All ratings are within the working limits of the motor.
- Class B insulation.

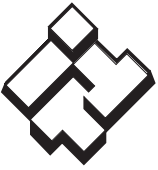
Single phase (60 Hz):

- Capacitor start motors for maximum starting torque.
- Built-in overload with automatic reset.
- SJTOW or STOW severe duty oil and water resistant power cords.
- 1/3 – 1 HP models have NEMA three prong grounding plugs.

Three phase (60 Hz):

- Class 10 overload protection must be provided in separately ordered starter unit.
- STOW power cords all have bare lead cord ends.
- **Designed for Continuous Operation:** Pump ratings are within the motor manufacturer's recommended working limits, can be operated continuously without damage when fully submerged.
- **Bearings:** Upper and lower heavy duty ball bearing construction.
- **Power Cable:** Severe duty rated, oil and water resistant. Epoxy seal on motor end provides secondary moisture barrier in case of outer jacket damage and to prevent oil wicking. Standard cord is 20'. Optional lengths are available.
- **Motor Cover O-ring:** Assures positive sealing against contaminant and oil leakage.





ITT

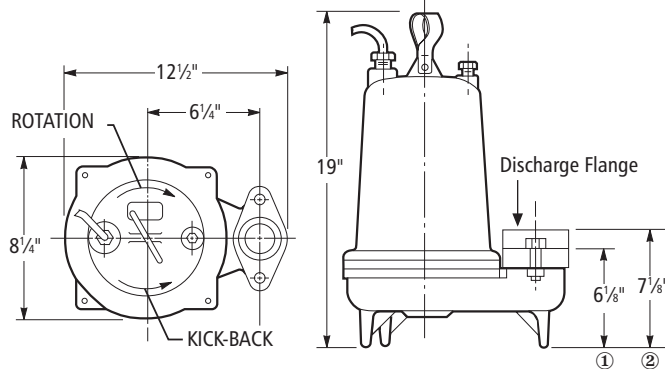
GOULDS PUMPS Wastewater

MOTOR AND MODEL INFORMATION

ORDER NUMBER	HP	PHASE	VOLTS	RPM	IMPELLER DIA. (IN.)	MAX. AMPS	LOCKED ROTOR AMPS	KVA CODE	LOAD MOTOR EFF. %	RESISTANCE		WEIGHT (LBS.)
										START	LINE-LINE	
WS0311BF	0.33	1	115	1750	4.69	10.7	30.0	M	54	11.9	1.7	63
WS0318BF	0.33	1	208			6.8	19.5	K	51	9.1	4.2	
WS0312BF	0.33	1	230			4.9	14.1	L	53	14.5	8.0	
WS0511BF	0.5	1	115		5.00	14.5	31.1	J	55	9.3	1.4	65
WS0518BF	0.5	1	208			8.0	19.5	K	51	9.1	4.2	
WS0512BF	0.5	1	230			7.3	16.5	J	54	11.7	5.6	
WS0538BF	0.5	3	200			3.8	12.3	K	75	—	6.7	
WS0532BF	0.5	3	230			3.3	9.7	K	75	—	9.9	
WS0534BF	0.5	3	460			1.7	4.9	K	75	—	39.4	
WS0537BF	0.5	3	575			1.4	4.3	K	68	—	47.8	
WS0718BF	0.75	1	208			5.38	11.0	39.0	K	65	2.6	
WS0712BF	0.75	1	230		9.4		24.8	J	57	4.8	2.3	
WS0738BF	0.75	3	200		4.1		21.2	H	74	—	4.3	
WS0732BF	0.75	3	230		3.6		17.3	J	76	—	5.6	
WS0734BF	0.75	3	460		1.8		8.9	J	76	—	22.4	
WS0737BF	0.75	3	575		1.5		7.3	J	71	—	29.2	
WS1018BF	1	1	208		5.75		14.0	39.0	K	65	2.6	1.4
WS1012BF	1	1	230			12.3	30.5	H	60	4.3	1.8	
WS1038BF	1	3	200			6.0	21.2	H	74	—	4.3	
WS1032BF	1	3	230			5.8	17.3	J	76	—	5.6	
WS1034BF	1	3	460			2.9	8.9	J	76	—	22.4	
WS1037BF	1	3	575			2.4	7.3	J	71	—	29.2	

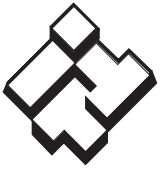
DIMENSIONS

(All dimensions are in inches. Do not use for construction purposes.)



Discharge Flange:

- ① 2" NPT standard
- ② 3" NPT optional (order an A1-3)



ITT

Wastewater

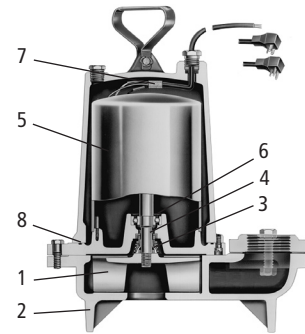
PERFORMANCE RATINGS (gallons per minute)

Order No.	WS03BF	WS05BF	WS07BF	WS10BF
HP ▶	1/3	1/2	3/4	1
RPM ▶	1750	1750	1750	1750
Total Head Feet of Water	10 ▶	80	122	145
	15	36	90	116
	20	—	50	86
	25	—	—	48
	30	—	—	—
	35	—	—	—

COMPONENTS

Item No.	Description
1	Impeller
2	Casing
3	Mechanical Seal
4	Motor Shaft
5	Motor
6	Ball Bearings
7	Power Cable
8	Casing O-Ring

* For available repair parts, see repair parts book.



Goulds Pumps and the ITT Engineered Blocks Symbol are registered trademarks and tradenames of ITT Corporation.

SPECIFICATIONS ARE SUBJECT TO CHANGE WITHOUT NOTICE.

B3887BF July, 2007

© 2007 ITT Corporation

Engineered for life