

### FEATURED MODEL

440685 Side Spray, SATIN NICKEL

### ADDITIONAL MODELS

440686 Side Spray, CHROME

441189 Side Spray, CAFE BROWN

### FEATURES

- Solid brass body and all metal side spray
- Ceramic disk cartridge
- Extra long supply lines
- 2.2 GPM flow rate
- Installation in a 1-3/8" hole
- Color coded hot and cold supply lines
- 360 degree spout swivel
- 2-1/8" maximum deck thickness

### OPTIONAL ACCESSORIES

Harvest Soap Dispenser: 440053 (Satin Nickel)

### CODE/STANDARDS COMPLIANCE

ASME A112.18.1-2011

IAPMO listed

CMR 248 - MA

**AB1953 Lead Free**

### WARRANTY

BLANCO'S kitchen and bar faucets feature a LIMITED LIFETIME WARRANTY to be free of all manufacturing defects under normal use. See our complete warranty for details.

While BLANCO endeavors to provide accurate information, all dimensions are nominal, cannot be guaranteed, and are subject to change or cancellation. BLANCO assumes no responsibility for use of superseded or voided specifications.

### JOB INFORMATION

Job Name: \_\_\_\_\_

Contact: \_\_\_\_\_

Date Specified: \_\_\_\_\_

Specifier: \_\_\_\_\_

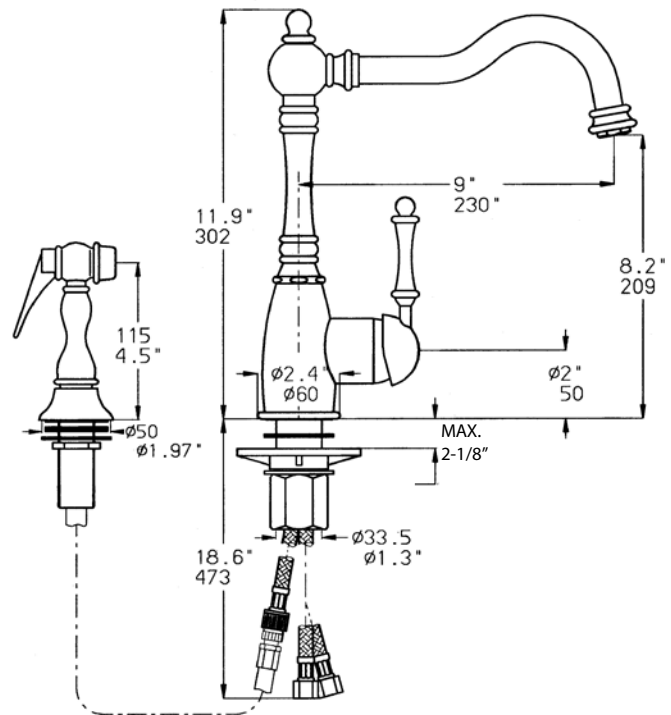
Contractor: \_\_\_\_\_



Model 440685 shown

### NOMINAL DIMENSIONS

REACH	SPOUT HEIGHT	FAUCET HEIGHT
9"	8-1/4"	12"



See next page for exploded parts drawing and parts list.

**BLANCO AMERICA**

800.451.5782

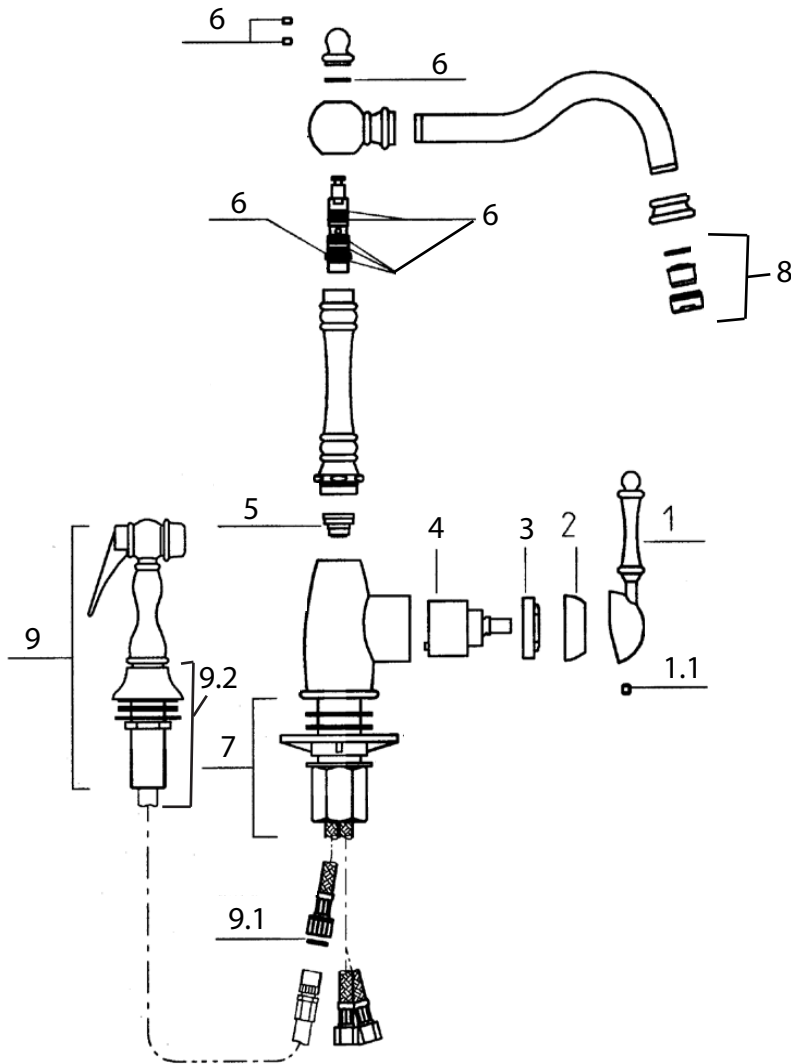
www.blancoamerica.com

© 2013 BLANCO AMERICA

11/14

SPEC-004

Old Model #: 157-052-ST



REPAIR PART GUIDE		
Num.	Description	Part #
1	Handle - Satin Nickel	441845
1.1	Handle - Screw	441806
2	Cartridge Cap	441807
3	Cartridge Lock Nut	441809
4	Cartridge	440768
5	Diverter Tool for Diverter	440765 440753
6	O-ring set w/ spout screw	441849
7	Mounting nut assembly	441835
8	Aerator set	440766
9	Side spray - Satin Nickel	440742
9.1	Fiber washer	440759
9.2	Side spray base - Satin Nickel	440017

**Need to Change a Faucet Cartridge?**

Scan this QR code  
to see our how-to video

For faucet technical support or questions,  
 please e-mail us at [faucets@blancoamerica.com](mailto:faucets@blancoamerica.com)