

Grinder Pump Accessories



Guide Rail Base



**Flanged Elbow,
90 Degree**



**Anti-siphon
Check Valve**

Model GR20 Guide Rail Base

- Fits Omnivore LSG-Series Grinder Pumps
- Heavy cast iron construction
- Single guide pipe design with auto align feature
- 1-1/4" guide pipe female NPT
- 1-1/4" discharge female NPT
- Powder coated for corrosion resistance
- Heavy nitrile sealing grommets
- Includes mating flange for LSG-Series pump and upper rail support bracket, stainless steel bolts and sealing grommet (Guide rail pipe not included)

Model G90 Flanged Elbow, 90 Degree

- Fits Omnivore LSG-Series Grinder Pumps
- Provides vertical discharge for non-guide rail installations
- 1-1/4" female NPT outlet
- Heavy cast iron construction
- Powder coated for corrosion resistance
- Includes sealing grommet and stainless steel bolts
- Allows LSG-Series pumps to connect to some other guide rail designs

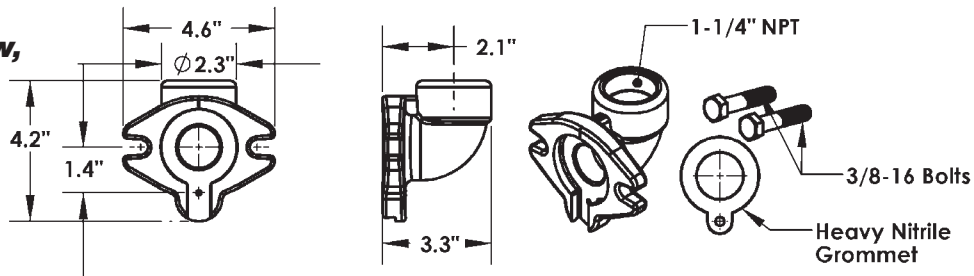
ACV125 Anti-siphon Check Valve

- Heavy cast iron construction
- Integrated heavy weight nitrile ball check valve
- Anti-siphon features breaks suction to prevent unwanted tank siphonage
- 1-1/4" female NPT connection
- 125 PSI rated

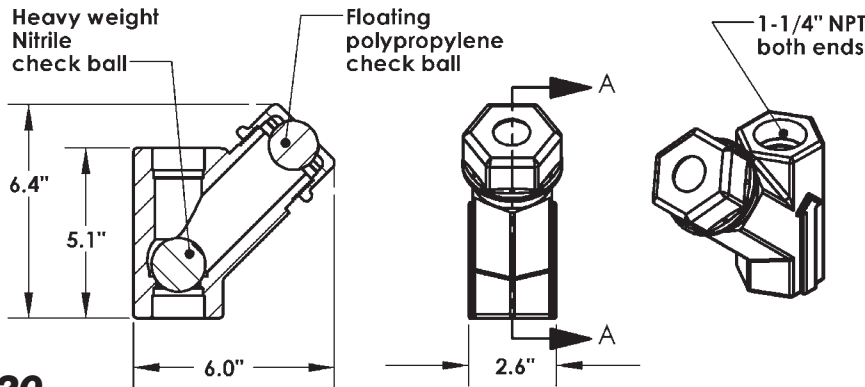
Grinder Pump Accessories

DIMENSIONAL DATA

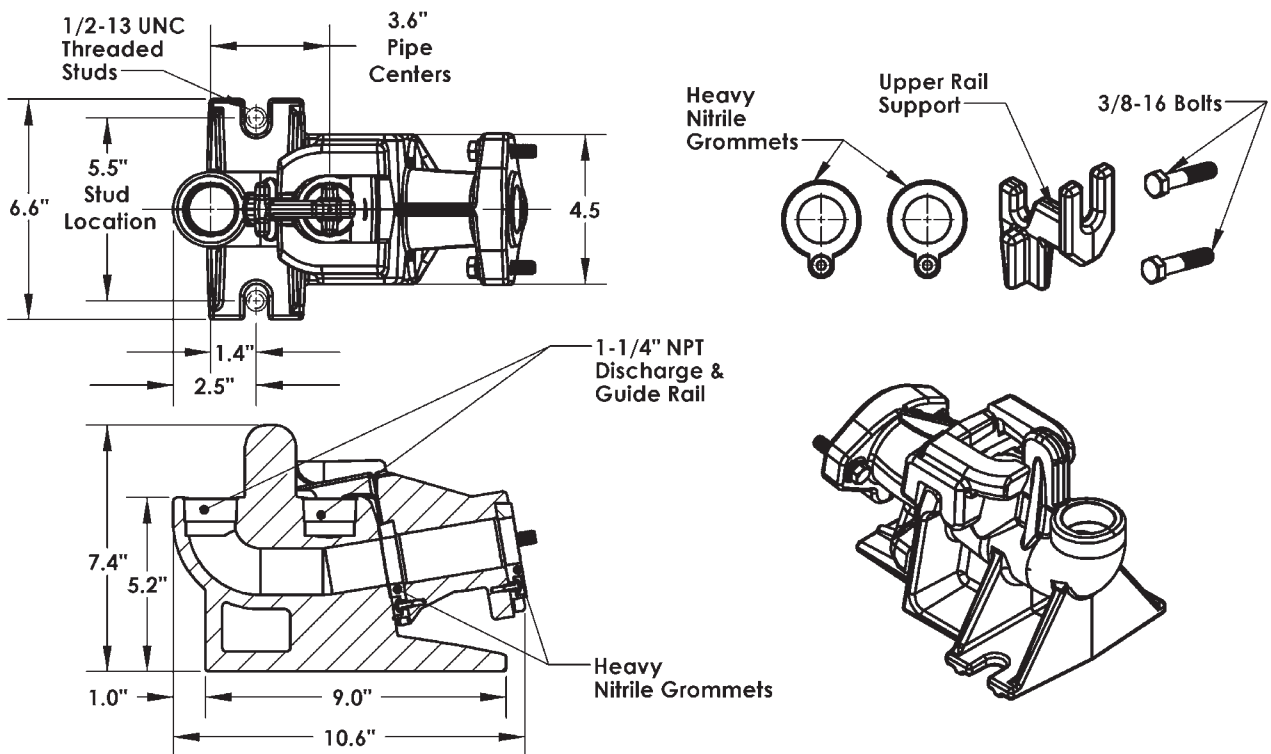
Model G90 Flanged Elbow, 90 Degree



ACV125 Anti-siphon Check Valve



Model GR20 Guide Rail Base



Specifications subject to change without notice.