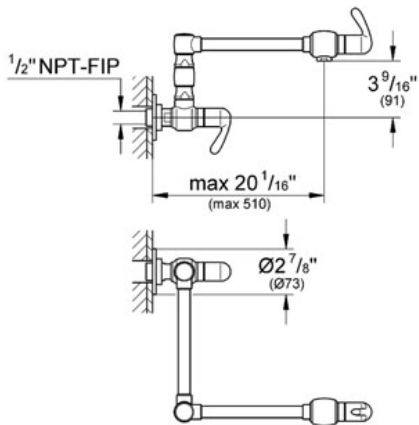
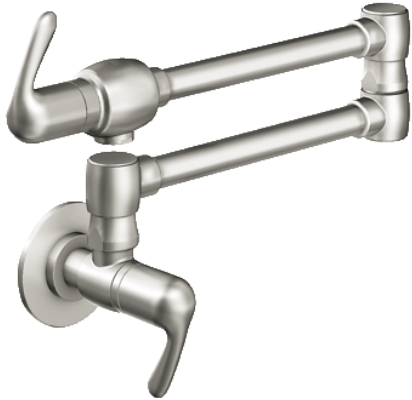


LADYLUX3  
Pot Filler  
MODEL # 31075

Pure Freude an Wasser



GROHE America, Inc | 200 North Gary Avenue, Suite G, Roselle, IL 60172  
Phone: +1 (800) 444-7643 | Fax: +1 (800) 225-2778 | us-customerservice@grohe.com



**Product Description:**  
Pot Filler

**Standard Specification:**

- GROHE RealSteel® Stainless Steel Construction produced from 304 stainless steel
- Wall mount
- Cold water only
- Max Flow Rate 1.75 gpm (6.6 L/min)

**Applicable Codes & Standards:**

- Energy Policy Act of 1992
- NSF 61
- ASME A112.18.1/CSA B125.1
- US Federal and State material regulations

**Color:**

- 31075 SD0 GROHE RealSteel®