



PGD3, PGS3

Product Specifications

13 SEER PACKAGE GAS / ELECTRIC UNIT, 2.5 to 5 TONS

208/230-3-60, 460-3-60

REFRIGERATION CIRCUIT

- Environmentally sound R-410A refrigerant
- Scroll compressor standard on all models
- Copper tube/aluminum fin condenser and evaporator coils
- Dehumidification mode (airflow reduction) on all models

EASY TO INSTALL AND SERVICE

- Installs easily on a rooftop or at ground level
- Easy three-panel accessibility for maintenance and installation
- Easily converts to down discharge applications
- Combination gas heating and electric cooling
- Low NOx units available

BUILT TO LAST

- Induced-draft combustion and venting
- Pre-painted steel cabinet
- Direct spark ignition
- High efficiency ECM indoor blower motor on all models
- Aluminized steel tubular heat exchanger on PGD3 models, Stainless Steel tubular heat exchanger on PGS3 models
- Vertical condenser fan discharge
- Full perimeter steel base rails
- High and low pressure switches provide added reliability for the compressor

WARRANTY

- 10 year heat exchanger limited warranty
- 5 year compressor limited warranty
- 1 year parts limited warranty



Use of the AHRI Certified TM Mark indicates a manufacturer's participation in the program. For verification of certification for individual products, go to www.ahridirectory.org.



UNIT PERFORMANCE DATA								
Aluminized Steel Heat Exchanger	Stainless Steel Heat Exchanger	COOLING			HEATING		Unit Dimensions Height x Width x Depth in (mm)	Operating Weight lbs (kg)
		Capacity BTU/h	SEER	EER	Input BTU/h	Efficiency AFUE %		
PGD330040H00°C	PGS330040HGS°C	28,600	13.5	11.2	40,000	80.0	42x48 ³ / ₁₆ x32 ⁵ / ₈ (1066x1224x829)	309 (140)
PGD330060H00°C	PGS330060HGS°C	28,600	13.5	11.2	60,000	80.0	42x48 ³ / ₁₆ x32 ⁵ / ₈ (1066x1224x829)	309 (140)
PGD336060*00°C	PGS336060*GS°C	34,400	13.0	11.0	60,000	80.0	46x48 ³ / ₁₆ x32 ⁵ / ₈ (1168x1224x829)	319 (144)
PGD336090*00°C	PGS336090*GS°C	34,400	13.0	11.0	90,000	79.3	46x48 ³ / ₁₆ x32 ⁵ / ₈ (1168x1224x829)	319 (144)
PGD342060*00°C	PGS342060*GS°C	40,500	13.2	11.2	60,000	78.5	40x48 ³ / ₁₆ x44 ¹ / ₈ (1016x1224x1123)	411 (186)
PGD342090*00°C	PGS342090*GS°C	40,500	13.2	11.2	90,000	80.4	40x48 ³ / ₁₆ x44 ¹ / ₈ (1016x1224x1123)	411 (186)
PGD348090*00°C	PGS348090*GS°C	46,500	13.2	11.2	90,000	80.4	42x48 ³ / ₁₆ x44 ¹ / ₈ (1066x1224x1123)	419 (190)
PGD348115*00°C	PGS348115*GS°C	46,500	13.2	11.2	115,000	80.3	42x48 ³ / ₁₆ x44 ¹ / ₈ (1066x1224x1123)	419 (190)
PGD348130*00°C	PGS348130*GS°C	46,500	13.2	11.2	130,000	78.9	42x48 ³ / ₁₆ x44 ¹ / ₈ (1066x1224x1123)	419 (190)
PGD360090*00°C	PGS360090*GS°C	57,000	13.4	11.0	90,000	80.4	42x48 ³ / ₁₆ x44 ¹ / ₈ (1066x1224x1123)	419 (190)
PGD360115*00°C	PGS360115*GS°C	57,000	13.4	11.0	115,000	80.3	42x48 ³ / ₁₆ x44 ¹ / ₈ (1066x1224x1123)	441 (200)
PGD360130*00°C	PGS360130*GS°C	57,000	13.4	11.0	130,000	78.9	42x48 ³ / ₁₆ x44 ¹ / ₈ (1066x1224x1123)	441 (200)

* - 0 = Standard, 1 = Low NOx

^ - H = 208/230 V, L = 460 V

MODEL NOMENCLATURE											
MODEL SERIES	1	2	3	4	5,6	7,8,9	10	11,12	13	14	15
	P	G	D	3	36	090	H	00	0	C	1
TYPE P = Package A = Air Conditioner H = Heat Pump G = Gas/Electric D = Dual Fuel D = Standard S = Mainline w/ SS HX											
TIER 3 = 13 4 = 14											
SEER 30 = 30,000 BTUH = 2.5 Tons 36 = 36,000 BTUH = 3 Tons 42 = 42,000 BTUH = 3.5 Tons 48 = 48,000 BTUH = 4 Tons 60 = 60,000 BTUH = 5 Tons											
NOMINAL COOLING CAPACITY 000 = no factory heat 040 = 40,000 BTU/hr 060 = 60,000 BTU/hr 090 = 90,000 BTU/hr 115 = 115,000 BTU/hr 130 = 130,000 BTU/hr											
NOMINAL HEATING BTUH (input) K = 208/230-1-60 H = 208/230-3-60 L = 460-3-60											
VOLTAGE 00 = No options GS = Stainless Steel Heat Exchanger											
FACTORY INSTALLED OPTIONS 0 = Standard 1 = Low NOx											
FEATURE CODE Sales Model Digit Engineering Digit											

AHRI* CAPACITIES

COOLING CAPACITIES AND EFFICIENCIES					
UNIT PG(D,S)3	NOMINAL TONS	STANDARD CFM	NET COOLING CAPACITIES (Btuh)	EER**	SEER†
30	2-1/2	1000	28,400	11.2	13.5
36	3	1200	34,400	11.0	13.0
42	3-1/2	1400	40,500	11.2	13.2
48	4	1600	46,500	11.2	13.2
60	5	1750	57,000	11.0	13.4

LEGEND

dB—Sound Levels (decibels)

db—Dry Bulb

SEER—Seasonal Energy Efficiency Ratio

wb—Wet Bulb

COP—Coefficient of Performance

* Air Conditioning, Heating & Refrigeration Institute.

**At "A" conditions—80°F (26.7°C) indoor db/67°F (19.4°C) indoor wb & 95°F (35°C) outdoor db.

† Rated in accordance with U.S. Government DOE Department of Energy) test procedures and/or AHRI Standards 210/240.

Notes:

1. Ratings are net values, reflecting the effects of circulating fan heat.

Ratings are based on:

Cooling Standard: 80°F (26.7°C) db, 67°F wb (19.4°C) indoor entering—air temperature and 95°F db (35°C) outdoor entering—air temperature.

2. Before purchasing this appliance, read important energy cost and efficiency information available from your retailer.

GAS HEATING CAPACITIES AND EFFICIENCIES

PG(D,S)3	HEATING INPUT (Btuh)	OUTPUT CAPACITY (Btuh)	TEMPERATURE RISE RANGE °F (°C)	AFUE (%)
30040	40,000	32,000	30-60 (16.7-33.3)	80.0
30060 36060 42060	60,000	48,000 48,000 48,000 47,000	25-55 (13.9-30.6)	80.0 80.0 80.0 78.5
36090 42090 48090 60090	90,000	72,000 73,000 73,000 73,000	35-65 (19.4-36.1)	79.3 80.4 80.4 80.4
48115 60115	115,000	93,000	30-60 (16.7-33.3)	80.3
48130 60130	130,000	103,000	35-65 (19.4-36.1)	78.9

LEGEND

AFUE—Annual Fuel Utilization Efficiency

NOTE: Before purchasing this appliance, read important energy cost and efficiency information available from your retailer.

UNIT ELECTRICAL SPECIFICATIONS

MODEL NUMBER	NOMINAL V-PH-HZ	Voltage Range		Compressor		OFM	IFM	IDM	Power Supply				
		Min.	Max.	RLA	LRA	FLA	FLA	FLA	MCA	MOCP			
PG(D,S)330040	208/230-3-60	187	253	8.4	58.0	1.2	4.1	0.7	15.8	20			
PG(D,S)330060				8.4	58.0	1.2	4.1	1.7	15.8	20			
PG(D,S)336060				10.4	88.0	1.2	6.0	1.7	20.3	30			
PG(D,S)336090				10.4	88.0	1.2	6.0	0.5	20.3	30			
PG(D,S)342060				13.5	88.0	1.2	6.0	1.7	24.1	35			
PG(D,S)342090				13.5	88.0	1.2	6.0	0.7	24.1	35			
PG(D,S)348090				13.7	83.1	1.2	7.6	0.7	25.9	35			
PG(D,S)348115				13.7	83.1	1.2	7.6	1.7	25.9	35			
PG(D,S)348130				13.7	83.1	1.2	7.6	0.5	25.9	35			
PG(D,S)360090				16.0	110.0	1.2	7.6	0.7	28.8	40			
PG(D,S)360115				16.0	110.0	1.2	7.6	1.7	28.8	40			
PG(D,S)360130				16.0	110.0	1.2	7.6	0.5	28.8	40			
PG(D,S)336060				460-3-60	414	506	5.8	38.0	0.5	3.0	0.7	10.7	15
PG(D,S)336090							5.8	38.0	0.5	3.0	0.3	10.7	15
PG(D,S)342060	6.0	44.0	0.5				3.0	0.7	11.0	15			
PG(D,S)342090	6.0	44.0	0.5				3.0	0.3	11.0	15			
PG(D,S)348090	6.2	41.0	0.5				3.8	0.3	12.1	15			
PG(D,S)348115	6.2	41.0	0.5				3.8	0.7	12.1	15			
PG(D,S)348130	6.2	41.0	0.5				3.8	0.3	12.1	15			
PG(D,S)360090	7.8	52.0	0.5				3.8	0.3	14.3	20			
PG(D,S)360115	7.8	52.0	0.5				3.8	0.7	14.0	20			
PG(D,S)360130	7.8	52.0	0.5				3.8	0.3	14.0	20			

**** FUSE OR CIRCUIT BREAKER**

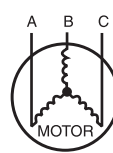
Note: 460 volt units have 230 volt ID motors with FLA values at 230 volts

LEGEND

- FLA -- Full Load Amps
- LRA -- Locked Rotor Amps
- MCA -- Minimum Circuit Amps
- MOCP -- Maximum Overcurrent Protection
- RLA -- Rated Load Amps



EXAMPLE: Supply voltage is 230-3-60.



- AB = 228 v
- BC = 231 v
- AC = 227 v

$$\text{Average Voltage} = \frac{228 + 231 + 227}{3}$$

$$= \frac{686}{3}$$

$$= 229$$

Determine maximum deviation from average voltage.

- (AB) 229 - 228 = 1 v
- (BC) 231 - 229 = 2 v
- (AC) 229 - 227 = 2 v

Maximum deviation is 2 v.

Determine percent of voltage imbalance

$$\% \text{ Voltage Imbalance} = 100 \times \frac{2}{229}$$

$$= 0.8\%$$

This amount of phase imbalance is satisfactory as it is below the maximum allowable 2%.

IMPORTANT: If the supply voltage phase imbalance is more than 2%, contact your local electric utility company immediately.

NOTES:

- In compliance with NEC (National Electrical Code) requirements for multimotor and combination load equipment (refer to NEC Articles 430 and 440), the overcurrent protective device for the unit shall be Power Supply fuse. The CGA (Canadian Gas Association) units may be fuse or circuit breaker.
- Minimum wire size is based on 60 C copper wire. If other than 60 C wire is used, or if length exceeds wire length in table, determine size from NEC.
- Unbalanced 3-Phase Supply Voltage
Never operate a motor where a phase imbalance in supply voltage is greater than 2%. Use the following formula to determine the percentage of voltage imbalance

$$\% \text{ Voltage imbalance} = 100 \times \frac{\text{max voltage deviation from average voltage}}{\text{average voltage}}$$

UNIT SPECIFICATIONS PG(D,S)330 – 42						
UNIT SIZE	30040	30060	36060	36090	42060	42090
NOMINAL COOLING CAPACITY (ton)	2–1/2	2–1/2	3	3	3–1/2	3–1/2
NOMINAL HEATING INPUT (Btu/hrs)	40,000	60,000	60,000	90,000	60,000	90,000
SHIPPING WEIGHT** lb.	316	316	326	326	420	420
SHIPPING WEIGHT** (kg)	143	143	148	148	191	191
COMPRESSORS	Scroll					
Quantity	1					
REFRIGERANT (R–410A)						
Quantity lb.	6.2	6.2	6.4	6.4	6.1	6.1
Quantity (kg)	2.8	2.8	2.9	2.9	2.7	2.7
REFRIGERANT METERING DEVICE	TXV					
OUTDOOR COIL						
Rows...Fins/in.	1...21	1...21	1...21	1...21	1...21	1...21
Face Area (sq ft)	11.9	11.9	15.4	15.4	13.6	13.6
OUTDOOR FAN						
Nominal CFM	3000	3000	3200	3200	3600	3600
Diameter in.	24	24	24	24	26	26
Diameter (mm)	609.6	609.6	609.6	609.6	660.4	660.4
Motor Hp (Rpm)	1/5 (810)	1/5 (810)	1/5 (810)	1/5 (810)	1/5 (810)	1/5 (810)
INDOOR COIL						
Rows...Fins/in.	3...17	3...17	3...17	3...17	3...17	3...17
Face Area (sq ft)	3.7	3.7	3.7	3.7	4.7	4.7
INDOOR BLOWER						
Nominal Cooling Airflow (Cfm)	1000	1000	1200	1200	1400	1400
Size in.	10x10	10x10	11x10	11x10	11x10	11x10
Size (mm.)	254x254	254x254	279.4x254	279.4x254	279.4x254	279.4x254
Motor HP (RPM)	1/2 (1050)	1/2 (1050)	3/4 (1000)	3/4 (1000)	3/4 (1075)	3/4 (1075)
FURNACE SECTION*						
Burner Orifice No. (Qty...Drill Size)						
Natural Gas Factory Installed	2...44	2...38	2...38	3...38	2...38	3...38
Propane Gas	2...55	2...53	2...53	3...53	2...53	3...53
HIGH-PRESSURE SWITCH (psig)	Cut-out (Auto) 650 +/- 15 Reset (Auto) 420 +/- 25					
LOSS-OF-CHARGE / LOW-PRESSURE SWITCH (Liquid Line) (psig)	Cut-out (Auto) 20 +/- 5 Reset (Auto) 45 +/- 10					
RETURN-AIR FILTERS†‡						
Throwaway Size in. (mm)	20x20x1 508x508x25	20x24x1 508x610x25			24x30x1 610x762x25	

UNIT SPECIFICATIONS 48 – 60						
UNIT SIZE	48090	48115	48130	60090	60115	60130
NOMINAL CAPACITY (ton)	4	4	4	5	5	5
NOMINAL HEATING INPUT (Btu/hrs)	90,000	115,000	130,000	90,000	115,000	130,000
SHIPPING WEIGHT** lb	428	428	428	450	450	450
SHIPPING WEIGHT** kg	194	194	194	204	204	204
COMPRESSORS	Scroll					
Quantity	1					
REFRIGERANT (R–410A)						
Quantity lb	6.4	6.4	6.4	10.0	10.0	10.0
Quantity (kg.)	2.9	2.9	2.9	4.5	4.5	4.5
REFRIGERANT METERING DEVICE	TXV					
OUTDOOR COIL						
Rows...Fins/in.	1...21	1...21	1...21	2...21	2...21	2...21
Face Area (sq ft)	15.5	15.5	15.5	15.5	15.5	15.5
OUTDOOR FAN						
Nominal Cfm	4000	4000	4000	3200	3200	3200
Diameter in.	26	26	26	26	26	26
Diameter (mm)	660.4	660.4	660.4	660.4	660.4	660.4
Motor Hp (Rpm)	1/5 (810)	1/5 (810)	1/5 (810)	1/5 (810)	1/5 (810)	1/5 (810)
INDOOR COIL						
Rows...Fins/in.	3...17	3...17	3...17	3...17	3...17	3...17
Face Area (sq ft)	4.7	4.7	4.7	5.7	5.7	5.7
INDOOR BLOWER						
Nominal Cooling Airflow (Cfm)	1600	1600	1600	1750	1750	1750
Size in.	11x10	11x10	11x10	11x10	11x10	11x10
Size (mm)	279.4x254	279.4x254	279.4x254	279.4x254	279.4x254	279.4x254
Motor HP (RPM)	1.0 (1075)	1.0 (1075)	1.0 (1075)	1.0 (1040)	1.0 (1040)	1.0 (1040)
FURNACE SECTION*						
Burner Orifice No.						
Natural Gas Qty...Drill Size (Factory Installed)	3...38	3...33	3...31	3...38	3...33	3...31
Propane Gas	3...53	3...51	3...49	3...53	3...51	3...49
HIGH-PRESSURE SWITCH (psig)	Cut-out (Auto) 650 +/- 15 Reset (Auto) 420 +/- 25					
LOSS-OF-CHARGE / LOW-PRESSURE SWITCH (Liquid Line) (psig)	Cut-out (Auto) 20 +/- 5 Reset (Auto) 45 +/- 10					
RETURN-AIR FILTERS †‡ Throwaway†‡ in. (mm)	24x36x1 610x914x25					

*Based on altitude of 0 to 2000 ft (0–610 m).

† Required filter sizes shown are based on the larger of the AHRI (Air Conditioning, Heating, and Refrigeration Institute) rated cooling airflow or the heating airflow velocity of 300 ft/minute for throwaway type. Air filter pressure drop for non-standard filters must not exceed 0.08 in wc.

‡ If using accessory filter rack refer to the filter rack installation instructions for correct filter sizes and quantity.

UNIT AIRFLOW, Horizontal and Downflow Discharge, Dry Coil

Unit PG(D,S)3	Heating Rise Range °F (°C)	Motor Speed	Wire Color		External Static Pressure (in wc)								
					0.1	0.2	0.3	0.4	0.5	0.6	0.7	0.8	0.9
30040	30 – 60 (17 – 33)	Low	Blue	CFM	741	638	547	415	--	--	--	--	--
				Heating Rise (°F)	41	47	55	NA	NA	NA	NA	NA	NA
				Heating Rise (°C)	23	26	31	NA	NA	NA	NA	NA	NA
		Med-Low ¹	Pink	CFM	973	887	823	733	665	538	451	--	--
				Heating Rise (°F)	31	34	37	41	45	56	NA	NA	NA
				Heating Rise (°C)	17	19	20	23	25	31	NA	NA	NA
		Medium	Red	CFM	1088	1023	954	881	800	723	658	563	461
				Heating Rise (°F)	NA	30	32	34	38	42	46	54	NA
				Heating Rise (°C)	NA	16	18	19	21	23	26	30	NA
		Med-High ²	Orange	CFM	1140	1064	996	915	840	758	687	564	480
				Heating Rise (°F)	NA	NA	30	33	36	40	44	54	NA
				Heating Rise (°C)	NA	NA	17	18	20	22	24	30	NA
High	Black	CFM	1202	1140	1082	1015	961	881	810	732	631		
		Heating Rise (°F)	NA	NA	NA	30	31	34	37	41	48		
		Heating Rise (°C)	NA	NA	NA	17	17	19	21	23	27		
330060	25 – 55 (14 – 31)	Low	Blue	CFM	741	638	547	415	--	--	--	--	--
				Heating Rise (°F)	NA	NA	NA	NA	NA	NA	NA	NA	NA
				Heating Rise (°C)	NA	NA	NA	NA	NA	NA	NA	NA	NA
		Med-Low	Pink	CFM	973	887	823	733	665	538	451	--	--
				Heating Rise (°F)	46	50	54	NA	NA	NA	NA	NA	NA
				Heating Rise (°C)	25	28	30	NA	NA	NA	NA	NA	NA
		Medium	Red	CFM	1088	1023	954	881	800	723	658	563	461
				Heating Rise (°F)	41	43	47	50	NA	NA	NA	NA	NA
				Heating Rise (°C)	23	24	26	28	NA	NA	NA	NA	NA
		Med-High ²	Orange	CFM	1140	1064	996	915	840	758	687	564	480
				Heating Rise (°F)	39	42	45	49	53	NA	NA	NA	NA
				Heating Rise (°C)	22	23	25	27	29	NA	NA	NA	NA
High ¹	Black	CFM	1202	1140	1082	1015	961	881	810	732	631		
		Heating Rise (°F)	37	39	41	44	46	50	55	NA	NA		
		Heating Rise (°C)	21	22	23	24	26	28	30	NA	NA		
336060	25 – 55 (14 – 31)	Low ¹	Blue	CFM	1234	1168	1093	1021	961	894	825	759	687
				Heating Rise (°F)	36	38	41	44	46	50	54	NA	NA
				Heating Rise (°C)	20	21	23	24	26	28	30	NA	NA
		Med-Low	Pink	CFM	1290	1223	1154	1090	1027	977	894	828	762
				Heating Rise (°F)	34	36	39	41	43	45	50	54	NA
				Heating Rise (°C)	19	20	21	23	24	25	28	30	NA
		Medium	Red	CFM	1354	1290	1226	1158	1102	1046	981	918	843
				Heating Rise (°F)	33	34	36	38	40	42	45	48	53
				Heating Rise (°C)	18	19	20	21	22	24	25	27	29
		Med-High	Orange	CFM	1606	1546	1489	1430	1371	1316	1258	1208	1140
				Heating Rise (°F)	28	29	30	31	32	34	35	37	39
				Heating Rise (°C)	15	16	17	17	18	19	20	20	22
High	Black	CFM	1630	1580	1517	1463	1407	1339	1277	1210	1131		
		Heating Rise (°F)	27	28	29	30	32	33	35	37	39		
		Heating Rise (°C)	15	16	16	17	18	18	19	20	22		
36090	35 – 65 (19 – 36)	Low	Blue	CFM	1234	1168	1093	1021	961	894	825	759	687
				Heating Rise (°F)	55	58	62	NA	NA	NA	NA	NA	NA
				Heating Rise (°C)	31	32	35	NA	NA	NA	NA	NA	NA
		Med-Low	Pink	CFM	1290	1223	1154	1090	1027	977	894	828	762
				Heating Rise (°F)	53	56	59	62	NA	NA	NA	NA	NA
				Heating Rise (°C)	29	31	33	35	NA	NA	NA	NA	NA
		Medium	Red	CFM	1354	1290	1226	1158	1102	1046	981	918	843
				Heating Rise (°F)	50	53	55	59	62	65	NA	NA	NA
				Heating Rise (°C)	28	29	31	33	34	36	NA	NA	NA
		Med-High	Orange	CFM	1606	1546	1489	1430	1371	1316	1258	1208	1140
				Heating Rise (°F)	42	44	46	48	50	52	54	56	60
				Heating Rise (°C)	24	24	25	26	28	29	30	31	33
High ¹	Black	CFM	1630	1580	1517	1463	1407	1339	1277	1210	1131		
		Heating Rise (°F)	42	43	45	46	48	51	53	56	60		
		Heating Rise (°C)	23	24	25	26	27	28	30	31	33		
42060	25 – 55 (14 – 31)	Low ¹	Blue	CFM	1295	1234	1182	1126	1075	1016	955	898	857
				Heating Rise (°F)	34	36	38	39	41	44	47	49	52
				Heating Rise (°C)	19	20	21	22	23	24	26	27	29
		Med-Low	Pink	CFM	1345	1282	1235	1194	1140	1095	1027	974	921
				Heating Rise (°F)	33	35	36	37	39	41	43	46	48
				Heating Rise (°C)	18	19	20	21	22	23	24	25	27
		Medium	Red	CFM	1505	1452	1413	1358	1323	1282	1234	1169	1130
				Heating Rise (°F)	30	31	31	33	34	35	36	38	39
				Heating Rise (°C)	16	17	17	18	19	19	20	21	22
		Med-High ²	Orange	CFM	1545	1492	1449	1411	1362	1313	1278	1231	1188
				Heating Rise (°F)	29	30	31	31	33	34	35	36	37
				Heating Rise (°C)	16	17	17	17	18	19	19	20	21
High	Black	CFM	1705	1643	1607	1568	1518	1483	1448	1404	1360		
		Heating Rise (°F)	26	27	28	28	29	30	31	32	33		
		Heating Rise (°C)	14	15	15	16	16	17	17	18	18		

See footnotes following airflow tables.

509 14 3402 04

SPECIFICATIONS SUBJECT TO CHANGE WITHOUT NOTICE

UNIT AIRFLOW, Horizontal and Downflow Discharge, Dry Coil

Unit PG(D,S)3	Heating Rise Range °F (°C)	Motor Speed	Wire Color	External Static Pressure (in wc)									
				0.1	0.2	0.3	0.4	0.5	0.6	0.7	0.8	0.9	
42090	35 – 65 (19 – 36)	Low	Blue	CFM	1295	1234	1182	1126	1075	1016	955	898	857
				Heating Rise (°F)	53	55	58	60	63	NA	NA	NA	NA
				Heating Rise (°C)	29	31	32	34	35	NA	NA	NA	NA
		Med-Low	Pink	CFM	1345	1282	1235	1194	1140	1095	1027	974	921
				Heating Rise (°F)	51	53	55	57	60	62	NA	NA	NA
				Heating Rise (°C)	28	29	31	32	33	35	NA	NA	NA
		Medium ¹	Red	CFM	1505	1452	1413	1358	1323	1282	1234	1169	1130
				Heating Rise (°F)	45	47	48	50	51	53	55	58	60
				Heating Rise (°C)	25	26	27	28	29	29	31	32	33
		Med-High ²	Orange	CFM	1545	1492	1449	1411	1362	1313	1278	1231	1188
				Heating Rise (°F)	44	46	47	48	50	52	53	55	57
				Heating Rise (°C)	24	25	26	27	28	29	30	31	32
		High	Black	CFM	1705	1643	1607	1568	1518	1483	1448	1404	1360
				Heating Rise (°F)	40	41	42	43	45	46	47	48	50
				Heating Rise (°C)	22	23	24	24	25	25	26	27	28
48090	35 – 65 (19 – 36)	Low ¹	Blue	CFM	1402	1351	1311	1263	1224	1172	1136	1080	1041
				Heating Rise (°F)	49	50	52	54	56	58	60	63	65
				Heating Rise (°C)	27	28	29	30	31	32	33	35	36
		Med-Low	Pink	CFM	1457	1404	1367	1318	1284	1233	1197	1144	1104
				Heating Rise (°F)	47	48	50	52	53	55	57	59	62
				Heating Rise (°C)	26	27	28	29	29	31	32	33	34
		Medium ²	Red	CFM	1736	1695	1642	1601	1553	1512	1465	1427	1381
				Heating Rise (°F)	39	40	41	42	44	45	46	48	49
				Heating Rise (°C)	22	22	23	24	24	25	26	26	27
		Med-High	Orange	CFM	2149	2111	2062	2026	1980	1945	1905	1864	1793
				Heating Rise (°F)	NA	NA	NA	NA	NA	35	36	36	38
				Heating Rise (°C)	NA	NA	NA	NA	NA	19	20	20	21
		High	Black	CFM	2344	2306	2259	2203	2141	2070	1991	1902	1803
				Heating Rise (°F)	NA	NA	NA	NA	NA	NA	NA	36	38
				Heating Rise (°C)	NA	NA	NA	NA	NA	NA	NA	20	21
48115	30 – 60 (17 – 33)	Low	Blue	CFM	1402	1351	1311	1263	1224	1172	1136	1080	1041
				Heating Rise (°F)	NA	NA	NA	NA	NA	NA	NA	NA	NA
				Heating Rise (°C)	NA	NA	NA	NA	NA	NA	NA	NA	NA
		Med-Low	Pink	CFM	1457	1404	1367	1318	1284	1233	1197	1144	1104
				Heating Rise (°F)	60	NA	NA	NA	NA	NA	NA	NA	NA
				Heating Rise (°C)	33	NA	NA	NA	NA	NA	NA	NA	NA
		Medium ²	Red	CFM	1736	1695	1642	1601	1553	1512	1465	1427	1381
				Heating Rise (°F)	50	51	53	54	56	57	59	NA	NA
				Heating Rise (°C)	28	28	29	30	31	32	33	NA	NA
		Med-High ¹	Orange	CFM	2149	2111	2062	2026	1980	1945	1905	1864	1793
				Heating Rise (°F)	40	41	42	43	44	45	46	47	48
				Heating Rise (°C)	22	23	23	24	24	25	25	26	27
		High	Black	CFM	2344	2306	2259	2203	2141	2070	1991	1902	1803
				Heating Rise (°F)	37	38	38	39	41	42	44	46	48
				Heating Rise (°C)	21	21	21	22	23	23	24	25	27
48130	35 – 65 (19 – 36)	Low	Blue	CFM	1402	1351	1311	1263	1224	1172	1136	1080	1041
				Heating Rise (°F)	NA	NA	NA	NA	NA	NA	NA	NA	NA
				Heating Rise (°C)	NA	NA	NA	NA	NA	NA	NA	NA	NA
		Med-Low	Pink	CFM	1457	1404	1367	1318	1284	1233	1197	1144	1104
				Heating Rise (°F)	NA	NA	NA	NA	NA	NA	NA	NA	NA
				Heating Rise (°C)	NA	NA	NA	NA	NA	NA	NA	NA	NA
		Medium ²	Red	CFM	1736	1695	1642	1601	1553	1512	1465	1427	1381
				Heating Rise (°F)	55	57	59	60	62	64	NA	NA	NA
				Heating Rise (°C)	31	32	33	33	34	35	NA	NA	NA
		Med-High ¹	Orange	CFM	2149	2111	2062	2026	1980	1945	1905	1864	1793
				Heating Rise (°F)	45	46	47	48	49	50	51	52	54
				Heating Rise (°C)	25	25	26	26	27	28	28	29	30
		High	Black	CFM	2344	2306	2259	2203	2141	2070	1991	1902	1803
				Heating Rise (°F)	41	42	43	44	45	47	48	51	53
				Heating Rise (°C)	23	23	24	24	25	26	27	28	30

See footnotes following airflow tables.

UNIT AIRFLOW, Horizontal and Downflow Discharge, Dry Coil

Unit PG(D,S)3	Heating Rise Range °F (°C)	Motor Speed	Wire Color		External Static Pressure (in wc)								
					0.1	0.2	0.3	0.4	0.5	0.6	0.7	0.8	0.9
60090	35 – 65 (19 – 36)	Low ¹	Blue	CFM	1445	1389	1341	1281	1236	1189	1139	1072	1027
				Heating Rise (°F)	47	49	51	53	55	57	60	63	NA
				Heating Rise (°C)	26	27	28	29	31	32	33	35	NA
		Med– Low	Pink	CFM	1678	1635	1602	1558	1513	1474	1438	1404	1349
				Heating Rise (°F)	41	42	42	44	45	46	47	48	50
				Heating Rise (°C)	23	23	24	24	25	26	26	27	28
		Medium ²	Red	CFM	1962	1915	1880	1843	1794	1753	1711	1675	1628
				Heating Rise (°F)	35	36	36	37	38	39	40	41	42
				Heating Rise (°C)	19	20	20	20	21	22	22	23	23
		Med– High	Orange	CFM	2131	2088	2065	2013	1982	1941	1888	1860	1785
				Heating Rise (°F)	NA	NA	NA	NA	NA	35	36	37	38
				Heating Rise (°C)	NA	NA	NA	NA	NA	19	20	20	21
High	Black	CFM	2461	2409	2339	2286	2192	2140	2062	1968	1874		
		Heating Rise (°F)	NA	NA	NA	NA	NA	NA	NA	35	36		
		Heating Rise (°C)	NA	NA	NA	NA	NA	NA	NA	19	20		
60115	30 – 60 (17 – 33)	Low	Blue	CFM	1445	1389	1341	1281	1236	1189	1139	1072	1027
				Heating Rise (°F)	60	NA	NA	NA	NA	NA	NA	NA	NA
				Heating Rise (°C)	33	NA	NA	NA	NA	NA	NA	NA	NA
		Med– Low	Pink	CFM	1678	1635	1602	1558	1513	1474	1438	1404	1349
				Heating Rise (°F)	52	53	54	56	57	59	60	NA	NA
				Heating Rise (°C)	29	30	30	31	32	33	34	NA	NA
		Medium ²	Red	CFM	1962	1915	1880	1843	1794	1753	1711	1675	1628
				Heating Rise (°F)	44	45	46	47	48	50	51	52	53
				Heating Rise (°C)	25	25	26	26	27	28	28	29	30
		Med– High ¹	Orange	CFM	2131	2088	2065	2013	1982	1941	1888	1860	1785
				Heating Rise (°F)	41	42	42	43	44	45	46	47	49
				Heating Rise (°C)	23	23	23	24	24	25	26	26	27
High	Black	CFM	2461	2409	2339	2286	2192	2140	2062	1968	1874		
		Heating Rise (°F)	35	36	37	38	40	41	42	44	46		
		Heating Rise (°C)	20	20	21	21	22	23	23	25	26		
60130	35 – 65 (19 – 36)	Low	Blue	CFM	1445	1389	1341	1281	1236	1189	1139	1072	1027
				Heating Rise (°F)	NA	NA	NA	NA	NA	NA	NA	NA	NA
				Heating Rise (°C)	NA	NA	NA	NA	NA	NA	NA	NA	NA
		Med– Low	Pink	CFM	1678	1635	1602	1558	1513	1474	1438	1404	1349
				Heating Rise (°F)	57	59	60	62	64	65	NA	NA	NA
				Heating Rise (°C)	32	33	33	34	35	36	NA	NA	NA
		Medium ²	Red	CFM	1962	1915	1880	1843	1794	1753	1711	1675	1628
				Heating Rise (°F)	49	50	51	52	54	55	56	57	59
				Heating Rise (°C)	27	28	28	29	30	31	31	32	33
		Med– High ¹	Orange	CFM	2131	2088	2065	2013	1982	1941	1888	1860	1785
				Heating Rise (°F)	45	46	47	48	49	50	51	52	54
				Heating Rise (°C)	25	26	26	27	27	28	28	29	30
High	Black	CFM	2461	2409	2339	2286	2192	2140	2062	1968	1874		
		Heating Rise (°F)	39	40	41	42	44	45	47	49	51		
		Heating Rise (°C)	22	22	23	23	24	25	26	27	29		

FOOTNOTES:

*Air delivery values are without air filter and are for dry coil (See Horizontal Wet Coil Pressure Drop table).

¹ Factory-shipped heating speed

² Factory-shipped cooling speed

"NA" = Not allowed for heating speed

Note: For horizontal applications deduct field-supplied air filter pressure drop and wet coil pressure drop to obtain external static pressure available for ducting.

For downflow applications see Wet Coil Air Delivery Table for available static including wet coil, 1–in. (25 mm) filter and economizer.

Shaded areas indicate speed/static combinations that are not permitted for dehumidification speed.

HORIZONTAL WET COIL PRESSURE DROP (in wc)															
PG(D,S)3 UNIT SIZE	STANDARD CFM (S.C.F.M)														
	600	700	800	900	1000	1100	1200	1300	1400	1500	1600	1700	1800	1900	2000
30	-	0.037	0.044	0.053	0.063	0.072	0.081	0.105	-	-	-	-	-	-	-
36	-	-	-	0.055	0.060	0.090	0.100	0.110	0.140	-	-	-	-	-	-
42	-	-	-	-	0.045	0.050	0.060	0.065	0.075	0.080	0.090	0.094	0.110	-	-
48	-	-	-	-	-	-	0.041	0.063	0.085	0.100	0.104	0.110	0.120	0.130	-
60	-	-	-	-	-	-	-	-	-	0.060	0.065	0.072	0.077	0.085	0.100

DOWNFLOW WET COIL PRESSURE DROP (in wc) – HIGH SPEED with 1 inch (25mm) Filter and Economizer										
PG(D,S)3 UNIT SIZE	EXTERNAL STATIC PRESSURE (in wc)									
	0.1	0.2	0.3	0.4	0.5	0.6	0.7	0.8	0.9	1.0
36	1333	1289	1256	1214	1152	1118	1076	1035	997	950
42	1612	1569	1527	1481	1451	1393	1351	1317	1278	1242
48	2166	2085	2002	1919	1798	1709	1582	1467	1270	988
60	2298	2239	2180	2110	2044	1951	1862	1777	1697	1591

HORIZONTAL FILTER PRESSURE DROP (in wc)

FILTER SIZE in. (mm)	CFM																		
	500	600	700	800	900	1000	1100	1200	1300	1400	1500	1600	1700	1800	1900	2000	2100	2200	2300
20X20X1 (508X508X25)	0.05	0.07	0.08	0.1	0.12	0.13	0.14	0.15	—	—	—	—	—	—	—	—	—	—	—
20X24X1 (508X610X25)	—	—	—	—	0.09	0.10	0.11	0.13	0.14	0.15	0.16	—	—	—	—	—	—	—	—
24X30X1 (610X762X25)	—	—	—	0.04	0.05	0.06	0.07	0.07	0.08	0.09	0.1	—	—	—	—	—	—	—	—
24X36X1 (610X914X25)	—	—	—	—	—	—	—	0.06	0.07	0.07	0.08	0.09	0.09	0.10	0.11	0.12	0.13	0.14	0.14

HORIZONTAL ECONOMIZER 1 inch (25mm) FILTER PRESSURE DROP (in wc)

UNIT PG(D,S)3	PRESSURE DROP
30-36	0.20
42-60	0.25

NATURAL GAS ORIFICE SIZES AND MANIFOLD PRESSURE

Nameplate Input (Btu/hr)		ALTITUDE OF INSTALLATION (FT. ABOVE SEA LEVEL) U.S.A.*				
		0 to 2000 (0-610 m)	2001 to 3000* (611 to 914 m)	3001 to 4000 (915 to 1219 m)	4001 to 5000 (1220 to 1524 m)	5001 to 6000 (1524 to 1829 m)
40000	Orifice No. (Qty)	44 (2)	45 (2)†	48 (2)†	48 (2)†	48 (2)†
	Manifold Press.	3.2	3.2	3.8	3.5	3.2
60000	Orifice No. (Qty)	38 (2)	41 (2)†	41 (2)†	42 (2)†	42 (2)†
	Manifold Press.	3.6	3.8	3.4	3.4	3.2
90000	Orifice No. (Qty)	38 (3)	41 (3)†	41 (3)†	42 (3)†	42 (3)†
	Manifold Press.	3.6	3.8	3.4	3.4	3.2
115000	Orifice No. (Qty)	33 (3)	36 (3)†	36 (3)†	36 (3)†	38 (3)†
	Manifold Press.	3.8	3.8	3.6	3.3	3.6
130000	Orifice No. (Qty)	31 (3)	31 (3)	33 (3)†	33 (3)†	34 (3)†
	Manifold Press.	3.8	3.2	3.7	3.4	3.3

*In the U.S.A., the input rating for altitudes above 2000 ft (610m) must be reduced by 4% for each 1000 ft (305 m) above Sea level.
 In Canada, the input rating for altitudes from 2001 to 4500 ft (611 to 1372 m) above sea level must be derated by 10% by an authorized gas conversion station or dealer.
 For Canadian Installations from 2000 to 4500 ft, use U.S.A. column 2001 to 3000 ft.
 Note: Orifice sizes and manifold pressure settings are based on natural gas with a heating value of 1025 Btu/ft³ and a specific gravity of .6.
 † Orifices available through your distributor.

PROPANE GAS ORIFICE SIZES AND MANIFOLD PRESSURE

Nameplate Input (Btu/hr)		ALTITUDE OF INSTALLATION (FT. ABOVE SEA LEVEL) U.S.A.*				
		0 to 2000 (0-610 m)	2001 to 3000* (611 to 914 m)	3001 to 4000 (915 to 1219 m)	4001 to 5000 (1220 to 1524 m)	5001 to 6000 (1524 to 1829 m)
40000	Orifice No. (Qty)	55 (2)	56 (2)	56 (2)	56 (2)	56 (2)
	Manifold Press. ("WC)	10.0	11.0	11.0	11.0	10.7
60000	Orifice No. (Qty)	53 (2)	54 (2)	54 (2)	54 (2)	54 (2)
	Manifold Press. ("WC)	10.0	11.0	11.0	11.0	11.0
90000	Orifice No. (Qty)	53 (3)	54 (3)	54 (3)	54 (3)	54 (3)
	Manifold Press. ("WC)	10.0	11.0	11.0	11.0	11.0
115000	Orifice No. (Qty)	51 (3)	52 (3)	52 (3)	53 (3)	53 (3)
	Manifold Press. ("WC)	10.0	11.0	10.6	11.0	11.0
130000	Orifice No. (Qty)	49 (3)	50 (3)	51 (3)	52 (3)	52 (3)
	Manifold Press. ("WC)	10.0	11.0	11.0	11.0	11.0

*In the U.S.A., the input rating for altitudes above 2000 ft (610m) must be reduced by 4% for each 1000 ft (305 m) above Sea level.
 In Canada, the input rating for altitudes from 2001 to 4500 ft (611 to 1372 m) above sea level must be derated by 10% by an authorized gas conversion station or dealer.
 For Canadian Installations from 2000 to 4500 ft, use U.S.A. column 2001 to 3000 ft.
 †Use Kit No. NPLPCONV013A00 (0-2000 ft [0-610 m] above sea level). Use Kit No. NPLPCONV014A00 (2001-6000 ft [611-1829 m] above sea level).

HIGH ALTITUDE COMPENSATION, NATURAL GAS

Nameplate Input (Btu/hr)	0 to 2000 ft (0-610 m)	2001 to 3000 ft* (611 to 914 m)	3001 to 4000 ft (915 to 1219 m)	4001 to 5000 ft (1220 to 1524 m)	5001 to 6000 ft (1524 to 1829 m)
	Rated Heating Input (Btu/hr), Natural Gas at Installation Altitude Above Sea Level, U.S.A.*				
40000	40000	36000	34400	32800	31200
60000	60000	54000	51600	49200	46800
90000	90000	81000	77400	73800	70200
115000	115000	103500	98900	94300	89700
130000	130000	117000	111800	106600	101400

*In the U.S.A., the input rating for altitudes above 2000 ft (610m) must be reduced by 4% for each 1000 ft (305 m) above Sea level.
 In Canada, the input rating for altitudes from 2001 to 4500 ft (611 to 1372 m) above sea level must be derated by 10% by an authorized gas conversion station or dealer.
 For Canadian Installations from 2000 to 4500 ft (610-1372 m), use U.S.A. column 2001 to 3000 ft (611 to 914 m).

HIGH ALTITUDE COMPENSATION, PROPANE GAS

Nameplate Input (Btu/hr)	0 to 2000 ft (0-610 m)	2001 to 3000 ft* (611 to 914 m)	3001 to 4000 ft (915 to 1219 m)	4001 to 5000 ft (1220 to 1524 m)	5001 to 6000 ft (1524 to 1829 m)
	Rated Heating Input (Btu/hr), LP Gas at Installation Altitude Above Sea Level, U.S.A.*				
40000	38000	31700	31700	31700	31200
60000	53000	45900	45900	45800	45800
90000	79000	68900	68900	68600	68600
115000	103000	100400	98900	83000	83000
130000	116000	115500	111800	101300	100400

*In the U.S.A., the input rating for altitudes above 2000 ft (610m) must be reduced by 4% for each 1000 ft (305 m) above Sea level.
 In Canada, the input rating for altitudes from 2001 to 4500 ft (611 to 1372 m) above sea level must be derated by 10% by an authorized gas conversion station or dealer.
 For Canadian Installations from 2000 to 4500 ft (610-1372 m), use U.S.A. column 2001 to 3000 ft (611 to 914 m).

A-WEIGHTED SOUND POWER LEVEL (dBA)

UNIT PG(D,S)3	STANDARD RATING dBA	TYPICAL OCTAVE BAND SPECTRUM (dBA without tone adjustment)						
		125	250	500	1000	2000	4000	8000
30	75	66.0	63.5	68.0	68.5	67.5	61.5	55.0
36	75	64.0	63.5	68.0	70.5	64.5	61.0	61.0
42	77	67.0	67.0	69.5	70.5	68.0	65.5	61.0
48	78	71.5	66.5	73.0	71.5	68.0	64.0	57.0
60	78	74.5	66.5	70.0	70.0	66.5	64.0	57.0

* Tested in accordance with AHRI Standard 270 (not listed in AHRI).

PG(D,S)330 EXTENDED COOLING PERFORMANCE

EVAPORATOR AIR		CONDENSER ENTERING AIR TEMPERATURES deg F																		
		75 (23.8°C)			85 (29.4°C)			95 (35°C)			105 (40.5°C)			115 (46.1°C)			125 (51.6°C)			
		Capacity MBtuh		Total System KW	Capacity MBtuh		Total System KW	Capacity MBtuh		Total System KW	Capacity MBtuh		Total System KW	Capacity MBtuh		Total System KW	Capacity MBtuh		Total System KW	
CFM/ BF	EWB	Total	Sens	Total	Sens	Total	Sens	Total	Sens	Total	Sens	Total	Sens	Total	Sens	Total	Sens	Total		
		875(0.03)	57 (13.8)	29.20	29.20	2.09	27.20	2.30	25.19	25.19	2.52	23.18	2.77	23.18	23.18	2.77	21.16	21.16	2.77	19.13
62 (16.6)	30.09		26.44	2.09	27.78	2.30	25.48	24.10	2.52	23.22	2.77	23.22	23.22	2.77	21.16	21.16	2.77	19.12	19.12	3.32
63* (17.2)	30.75		21.65	2.09	28.36	2.30	25.89	19.56	2.52	23.63	2.77	23.63	18.51	2.77	21.26	17.45	2.77	18.90	16.38	3.32
67 (19.4)	33.12		22.39	2.08	30.58	2.134	28.05	20.29	2.52	25.00	2.77	25.00	18.23	2.77	23.00	18.16	2.77	20.48	17.08	3.32
72 (22.2)	36.50		18.28	2.08	33.73	1.733	30.97	16.37	2.29	28.22	2.77	28.22	15.41	2.77	25.48	14.44	2.77	22.73	13.46	3.32
77 (25.2)	40.11		14.15	2.12	36.39	1.333	33.33	12.23	2.56	24.14	2.80	24.14	12.23	2.80	22.01	22.01	2.80	19.87	19.87	3.35
1000(0.03)	62 (16.6)	30.85	28.45	2.12	28.49	2.33	26.26	26.26	2.56	24.14	2.80	24.14	24.14	2.80	22.01	22.01	2.80	19.86	19.86	3.35
	63* (17.2)	31.44	23.11	2.12	29.97	2.33	26.51	20.83	2.56	24.07	2.81	24.07	19.84	2.81	21.63	18.73	2.81	19.21	17.60	3.35
	67 (19.4)	33.86	23.94	2.12	31.22	2.33	28.60	17.75	2.55	25.99	2.80	25.99	16.65	2.80	23.40	19.53	2.80	20.80	18.40	3.35
	72 (22.2)	37.30	19.27	2.11	34.43	1.829	31.58	13.32	2.55	28.74	2.80	28.74	12.87	2.80	25.91	15.31	2.80	23.07	14.29	3.35
	77 (25.2)	40.99	14.01	2.15	37.30	1.333	34.43	10.26	2.55	31.58	2.80	31.58	9.31	2.80	28.74	8.31	2.80	26.82	11.64	3.35
	77 (25.2)	40.99	14.01	2.15	37.30	1.333	34.43	10.26	2.55	31.58	2.80	31.58	9.31	2.80	28.74	8.31	2.80	26.82	11.64	3.35
1125(0.04)	62 (16.6)	31.61	31.61	2.15	29.39	2.36	27.17	27.17	2.59	24.95	2.84	24.95	24.95	2.84	22.72	22.72	2.84	20.48	20.48	3.39
	63* (17.2)	31.97	24.51	2.15	29.43	2.36	26.91	22.25	2.59	24.41	2.84	24.41	21.10	2.84	22.72	22.72	2.84	20.48	20.48	3.39
	67 (19.4)	34.42	25.44	2.15	31.71	2.36	29.02	23.16	2.59	26.35	2.84	26.35	20.84	2.84	23.69	20.84	2.84	21.05	19.65	3.39
	72 (22.2)	37.91	20.22	2.14	34.96	1.920	32.03	18.19	2.58	28.12	2.83	28.12	17.17	2.83	26.22	16.14	2.83	23.32	15.10	3.39

PG(D,S)336 EXTENDED COOLING PERFORMANCE

EVAPORATOR AIR		CONDENSER ENTERING AIR TEMPERATURES deg F																		
		75 (23.8°C)			85 (29.4°C)			95 (35°C)			105 (40.5°C)			115 (46.1°C)			125 (51.6°C)			
		Capacity MBtuh		Total System KW	Capacity MBtuh		Total System KW	Capacity MBtuh		Total System KW	Capacity MBtuh		Total System KW	Capacity MBtuh		Total System KW	Capacity MBtuh		Total System KW	
CFM/ BF	EWB	Total	Sens	Total	Sens	Total	Sens	Total	Sens	Total	Sens	Total	Sens	Total	Sens	Total	Sens	Total		
		105(0.04)	57 (13.8)	35.66	35.66	2.38	32.84	2.71	30.06	30.06	3.07	27.32	3.47	27.32	27.32	3.47	24.62	24.62	3.47	21.93
62 (16.6)	37.06		32.25	2.39	33.82	2.71	30.65	28.68	3.07	27.56	3.47	27.56	26.88	3.47	24.62	24.62	3.47	21.93	21.93	4.39
63* (17.2)	37.87		26.52	2.39	34.55	2.71	31.28	23.37	3.08	28.09	3.48	28.09	20.29	3.48	24.95	20.29	3.48	21.88	18.77	4.39
67 (19.4)	40.79		27.41	2.38	37.23	2.72	33.74	24.21	3.08	30.32	3.48	30.32	22.84	3.48	26.86	21.09	3.48	23.85	19.54	4.39
72 (22.2)	44.91		22.49	2.43	41.02	2.104	37.19	19.62	3.09	33.45	3.49	33.45	18.21	3.49	30.32	16.62	3.49	26.16	15.44	4.40
77 (25.2)	47.24		17.38	2.49	34.27	1.427	31.33	14.44	3.12	28.44	3.52	28.44	12.44	3.52	25.58	11.22	3.52	22.76	12.44	4.44
1200(0.04)	62 (16.6)	37.97	34.85	2.43	34.64	2.76	31.35	31.35	3.12	28.43	3.52	28.43	28.43	3.52	25.58	25.58	3.52	22.75	22.75	4.44
	63* (17.2)	38.73	28.25	2.43	35.29	2.76	31.91	24.95	3.12	28.60	3.52	28.60	23.32	3.52	25.58	23.32	3.52	22.75	22.75	4.44
	67 (19.4)	41.71	29.24	2.44	38.02	2.76	34.40	25.90	3.13	30.86	3.53	30.86	24.26	3.53	27.40	22.63	3.53	24.00	21.00	4.44
	72 (22.2)	45.90	22.65	2.44	41.86	2.227	37.91	20.68	3.13	34.05	3.54	34.05	17.79	3.54	30.26	17.79	3.54	26.53	16.36	4.44
	77 (25.2)	49.59	16.79	2.48	35.47	1.427	32.40	14.44	3.17	29.37	3.57	29.37	12.44	3.57	26.39	12.44	3.57	23.43	12.44	4.49
	77 (25.2)	49.59	16.79	2.48	35.47	1.427	32.40	14.44	3.17	29.37	3.57	29.37	12.44	3.57	26.39	12.44	3.57	23.43	12.44	4.49
1350(0.05)	62 (16.6)	38.79	36.16	2.48	35.46	2.48	32.39	32.39	3.17	28.89	3.57	28.89	24.78	3.57	25.89	23.09	3.57	22.46	21.40	4.49
	63* (17.2)	39.40	29.81	2.48	35.85	2.48	32.38	26.47	3.17	28.89	3.57	28.89	24.78	3.57	25.89	23.09	3.57	22.46	21.40	4.49
	67 (19.4)	42.41	24.89	2.48	38.61	2.48	34.89	27.52	3.18	31.27	3.58	31.27	25.81	3.58	27.72	24.10	3.58	24.26	22.39	4.49
	72 (22.2)	46.65	24.71	2.48	42.51	2.48	38.45	21.70	3.18	34.49	3.58	34.49	20.20	3.58	30.61	18.72	3.58	26.80	24.26	4.49

PG(D,S)342 EXTENDED COOLING PERFORMANCE

EVAPORATOR AIR		CONDENSER ENTERING AIR TEMPERATURES deg F																			
		75 (23.8°C)			85 (29.4°C)			95 (35°C)			105 (40.5°C)			115 (46.1°C)			125 (51.6°C)				
		Capacity MBtuh		Total System KW	Capacity MBtuh		Total System KW	Capacity MBtuh		Total System KW	Capacity MBtuh		Total System KW	Capacity MBtuh		Total System KW	Capacity MBtuh		Total System KW		
CFM/ BF	EWB	Total	Sens	Total	Sens	Total	Sens	Total	Sens	Total	Sens	Total	Sens	Total	Sens	Total	Sens	Total			
		1225(0.03)	57 (13.8)	40.45	40.45	3.00	37.98	3.37	35.49	35.49	3.78	32.98	4.20	32.98	32.98	4.20	30.44	30.44	4.20	27.84	27.84
62 (16.6)	42.06		37.63	2.94	39.15	3.33	36.25	33.83	3.74	33.37	4.18	33.37	31.92	4.18	30.48	30.39	4.18	27.88	27.88	5.10	
63* (17.2)	42.93		30.96	2.91	39.95	2.97	36.96	27.59	3.72	33.97	4.17	33.97	25.92	4.17	30.95	24.26	4.17	27.90	22.59	5.10	
67 (19.4)	46.12		31.94	2.80	42.92	30.23	3.19	39.72	28.52	3.61	36.53	4.05	36.53	26.83	3.61	33.31	25.15	3.61	30.04	23.46	4.99
72 (22.2)	50.58		26.16	2.85	47.09	24.61	3.04	43.59	23.08	3.46	40.11	3.90	40.11	21.56	3.90	36.60	20.05	3.90	33.04	23.46	4.84
77 (25.2)	54.24		22.24	2.88	39.61	16.37	3.35	36.97	36.97	3.76	34.32	4.18	34.32	34.32	4.18	31.63	31.63	4.18	28.88	28.88	5.08
1400(0.04)	62 (16.6)	43.11	40.44	2.95	40.11	38.38	3.34	37.15	36.28	3.75	34.31	34.31	3.75	31.62	31.62	3.75	28.88	28.88	5.08		
	63* (17.2)	43.91	32.97	2.92	40.81	31.21	3.32	37.71	29.25	3.73	34.81	31.99	25.96	3.73	31.99	25.96	3.73	28.35	24.21	5.12	
	67 (19.4)	47.15	34.07	2.81	43.82	32.28	3.20	40.50	30.50	3.62	37.19	28.73	4.06	33.86	26.97	4.06	30.50	25.20	5.00		
	72 (22.2)	51.67	27.51	2.65	48.05	25.91	3.05	44.22	34.22	3.46	40.81	27.75	3.98	37.19	31.62	3.98	33.51	19.62	4.85		
	77 (25.2)	54.75	23.75	2.97	40.99	40.99	3.34	38.22	38.22	3.75	35.43	35.43	3.75	32.62	32.62	3.75	29.74	29.74	5.07		
	77 (25.2)	54.75	23.75	2.97	40.99	40.99	3.34	38.22	38.22	3.75	35.43	35.43	3.75	32.62	32.62	3.75	29.74	29.74	5.07		
1575(0.05)	63* (17.2)	44.67	34.90	2.84	41.47	33.06	3.33	38.28	31.23	3.75	35.10	32.61	4.62	32.61	32.61	4.62	29.74	29.74	5.14		
	67 (19.4)	47.93	36.13	2.82	44.51	34.26	3.21	41.09	32.40	3.63	37.69	30.56	4.08	34.28	28.71	4.08	30.85	26.85	5.02		
	72 (22.2)	52.51	28.80	2.67	48.78	27.15	3.06	45.05	25.51	3.48	41.54	23.89	3.83	37.63	22.28	3.83	33.86	20.67	4.87		

See Legend and Notes following tables.

PG(D,S)348 EXTENDED COOLING PERFORMANCE

CONDENSER ENTERING AIR TEMPERATURES deg F																		
75 (23.8 °C)			85 (29.4 °C)			95 (35 °C)			105 (40.5 °C)			115 (46.1 °C)			125 (51.6 °C)			
CFM/ BF	Capacity MBtuh		Total System KW	Capacity MBtuh		Total System KW	Capacity MBtuh		Total System KW	Capacity MBtuh		Total System KW	Capacity MBtuh		Total System KW	Capacity MBtuh		Total System KW
	Total	Sens		Total	Sens		Total	Sens		Total	Sens		Total	Sens		Total	Sens	
57 (13.8)	46.51	46.51	3.29	43.60	43.60	3.68	40.66	40.66	4.11	37.70	37.70	4.56	34.70	34.70	5.05	31.64	31.64	5.55
62 (16.6)	48.43	41.91	3.29	45.02	40.09	3.68	41.60	38.24	4.10	38.19	36.35	4.56	34.81	34.56	5.05	31.64	31.64	5.55
63* (17.2)	49.45	32.87	3.29	45.95	32.87	3.68	42.43	31.22	4.10	38.89	29.56	4.56	35.34	27.89	5.05	31.75	26.19	5.55
67 (19.4)	53.14	35.61	3.29	49.39	33.93	3.68	45.62	32.29	4.10	41.85	30.61	4.55	38.05	28.93	5.04	34.20	27.21	5.54
72 (22.2)	58.23	29.19	3.28	54.23	27.68	3.67	50.11	26.15	4.09	46.00	24.82	4.55	41.85	23.08	5.03	37.64	21.51	5.54
57 (13.8)	48.55	48.55	3.35	45.46	45.46	3.74	42.35	42.35	4.16	39.21	39.21	4.61	36.04	36.04	5.10	32.81	32.81	5.60
62 (16.6)	49.62	44.99	3.35	46.10	43.02	3.74	42.60	40.97	4.16	39.21	39.21	4.61	36.04	36.04	5.10	32.80	32.80	5.60
63* (17.2)	50.37	36.73	3.35	46.92	35.02	3.74	43.27	33.30	4.16	39.61	31.57	4.61	36.94	32.54	5.10	32.80	32.80	5.60
67 (19.4)	54.31	30.66	3.34	50.41	36.23	3.73	46.50	34.50	4.15	42.59	30.99	4.61	38.86	30.99	5.09	34.70	29.20	5.60
72 (22.2)	59.58	30.68	3.34	55.32	29.12	3.73	51.05	25.97	4.15	46.80	25.97	4.61	42.51	24.38	5.08	38.17	22.76	5.59
57 (13.8)	50.26	50.26	3.40	47.02	47.02	3.79	43.76	43.76	4.21	40.46	40.46	4.66	37.15	37.15	5.15	33.76	33.76	5.65
62 (16.6)	51.64	47.75	3.40	47.06	47.06	3.79	43.75	43.75	4.21	40.46	40.46	4.66	37.14	37.14	5.15	33.76	33.76	5.65
63* (17.2)	51.44	38.68	3.40	47.67	37.10	3.79	43.92	35.31	4.21	40.16	33.51	4.67	36.40	31.68	5.15	32.62	29.81	5.66
67 (19.4)	55.22	40.25	3.40	51.19	38.45	3.79	47.17	36.64	4.21	43.16	34.83	4.68	39.13	32.98	5.14	35.08	31.10	5.65
72 (22.2)	60.54	32.12	3.40	56.16	30.51	3.78	51.77	28.89	4.20	47.40	27.27	4.65	43.00	25.84	5.13	38.55	23.98	5.64

PG(D,S)360 EXTENDED COOLING PERFORMANCE

CONDENSER ENTERING AIR TEMPERATURES deg F																		
75 (23.8 °C)			85 (29.4 °C)			95 (35 °C)			105 (40.5 °C)			115 (46.1 °C)			125 (51.6 °C)			
CFM/ BF	Capacity MBtuh		Total System KW	Capacity MBtuh		Total System KW	Capacity MBtuh		Total System KW	Capacity MBtuh		Total System KW	Capacity MBtuh		Total System KW	Capacity MBtuh		Total System KW
	Total	Sens		Total	Sens		Total	Sens		Total	Sens		Total	Sens		Total	Sens	
57 (13.8)	57.89	57.89	4.22	54.53	54.53	4.64	51.13	51.13	5.08	47.68	47.68	5.56	44.15	44.15	6.06	40.50	40.50	6.59
62 (16.6)	59.66	51.98	4.24	55.71	49.84	4.65	51.77	47.68	5.09	47.84	45.44	5.56	44.15	44.15	6.06	40.49	40.49	6.59
63* (17.2)	60.79	42.58	4.25	56.72	40.64	4.66	52.64	38.69	5.10	48.53	36.74	5.57	44.37	34.78	6.06	40.12	32.78	6.58
67 (19.4)	65.28	43.94	4.26	60.89	41.97	4.70	56.50	40.00	5.14	52.08	38.03	5.61	47.59	36.03	6.10	43.00	34.00	6.62
72 (22.2)	71.52	35.78	4.34	66.71	33.22	4.75	61.88	32.13	5.19	57.02	30.30	5.66	52.07	28.45	6.15	47.01	26.57	6.66
57 (13.8)	60.39	60.39	4.33	56.80	56.80	4.74	53.18	53.18	5.18	49.50	49.50	5.66	45.74	45.74	6.16	41.85	41.85	6.68
62 (16.6)	61.11	55.94	4.33	57.07	53.59	4.74	53.18	53.18	5.18	49.50	49.50	5.66	45.74	45.74	6.16	41.85	41.85	6.68
63* (17.2)	62.07	45.41	4.34	57.83	43.39	4.75	53.59	41.36	5.19	49.33	39.33	5.66	45.03	37.28	6.15	40.84	35.18	6.67
67 (19.4)	66.60	46.95	4.38	62.04	44.89	4.79	57.38	42.84	5.23	52.89	40.78	5.69	48.25	38.70	6.19	43.52	36.58	6.70
72 (22.2)	72.91	37.66	4.43	67.90	35.78	4.85	62.90	33.90	5.28	57.85	32.01	5.75	52.74	30.11	6.24	47.52	28.16	6.74
57 (13.8)	62.47	62.47	4.43	58.69	58.69	4.84	54.87	54.87	5.28	51.00	51.00	5.75	47.03	47.03	6.25	42.94	42.94	6.77
62 (16.6)	62.48	62.48	4.43	58.68	58.68	4.84	54.86	54.86	5.28	50.99	50.99	5.74	47.03	47.03	6.25	42.94	42.94	6.77
63* (17.2)	63.04	48.14	4.43	58.67	46.04	4.84	54.31	43.83	5.28	49.93	41.81	5.74	45.52	39.67	6.23	41.04	37.45	6.75
67 (19.4)	67.60	49.85	4.47	62.90	47.72	4.88	58.21	45.59	5.32	53.50	43.44	5.78	48.74	41.27	6.27	43.91	39.04	6.78
72 (22.2)	73.95	39.47	4.53	68.79	37.54	4.94	63.63	35.61	5.37	58.45	33.68	5.84	53.20	31.73	6.32	47.86	29.75	6.82

* 63°F Ewb is at 75°F entering dry bulb – Tennessee Valley Authority (TVA) rating conditions; all others at 80°F entering dry bulb.

LEGEND: BF — Bypass Factor Ewb — Entering Wet Bulb kW — Total Unit Power Input SHC — Sensible Heat Capacity (x1000 Btuh) TC — Total Capacity (x1000 Btuh) (net)

NOTES:

- Ratings are net; they account for the effects of the evaporator fan motor power and heat.
- Direct interpolation is permissible. Do not extrapolate.
- The following formulas may be used:
 - $t_{Ldb} = t_{Edb} - \frac{\text{Sensible Capacity (BTU/h)}}{1.10 \times \text{cfm}}$
 - $\dot{h}_{Lwb} = \dot{h}_{Ewb} - \frac{\text{Total Capacity (BTU/h)}}{4.5 \times \text{cfm}}$
- The SHC is based on 80°F Edb temperature of air leaving evaporator coil (h_{Lwb})
Below 80°F Edb, subtract (corr factor x cfm) from SHC.
Above 80°F Edb, add (corr factor x cfm) to SHC. Correction Factor = 1.10 x (1 + BF) x (Edb + 80).
Where: h_{Ewb} = Enthalpy of air entering evaporator coil

Unit PG(D,S)3	ELECTRICAL CHARACTERISTICS		UNIT WT.		UNIT HEIGHT IN/MM		CENTER OF GRAVITY IN/MM				
	VOLTAGE	AMPS	LB	KG	"A"	"B"	X	Y	Z		
30040/060	208/230-3-60	3.09	140.0	42.0	1066.8	22-13/16	1579.4	15-5/16	388.9	15-13/16	401.6
30040/080	208/230-3-60	3.19	144.6	46.0	1168.4	22-13/16	1579.4	15-5/16	388.9	16-5/8	422.3
36060/090	460-3-60	333	150.9	46.0	1168.4	22-13/16	1579.4	15-5/16	388.9	16-5/8	422.3

Unit PG(D,S)3	CORNER WEIGHT LB/KG		"A"		"B"		"C"		"D"	
	"1"	"2"	"1"	"2"	"1"	"2"	"1"	"2"	"1"	"2"
24040/060	208/230-45	620.7	60.8	27.6	91.1	41.4	106.3	48.3	14.4	355.6
30040/080	208/230-46	321.0	61.8	28.0	92.6	42.1	108.1	49.1	15.2	350.8
36060/090	460-47	821.7	63.8	28.9	95.6	43.4	111.6	50.6	16.0	360.9
	460	47	821.7	63.8	95.6	43.4	111.6	50.6	16.0	360.9

(REQUIRED CLEARANCES TO COMBUSTIBLE MATL.)

INCHES (MM)

TOP OF UNIT.....42 (1066.8)

DUCT SIDE OF UNIT.....14 (355.6)

DUCT SIDE OF UNIT.....12 (304.8)

BOTTOM OF UNIT.....6 (152.4)

FLUE PANEL.....36 (914.4)

FLUE PANEL.....36 (914.4)

NEC. REQUIRED CLEARANCES.

INCHES (MM)

BETWEEN UNITS, POWER ENTRY SIDE.....42 (1066.8)

UNIT AND UNGROUNDED SURFACES, POWER ENTRY SIDE.....36 (914.0)

UNIT AND BLOCK OR CONCRETE WALLS AND OTHER GROUNDED SURFACES, POWER ENTRY SIDE.....42 (1066.8)

REQUIRED CLEARANCE FOR OPERATION AND SERVICING

EVAP. COIL ACCESS SIDE.....36 (914.0)

EVAP. COIL ACCESS SIDE.....42 (1066.8)

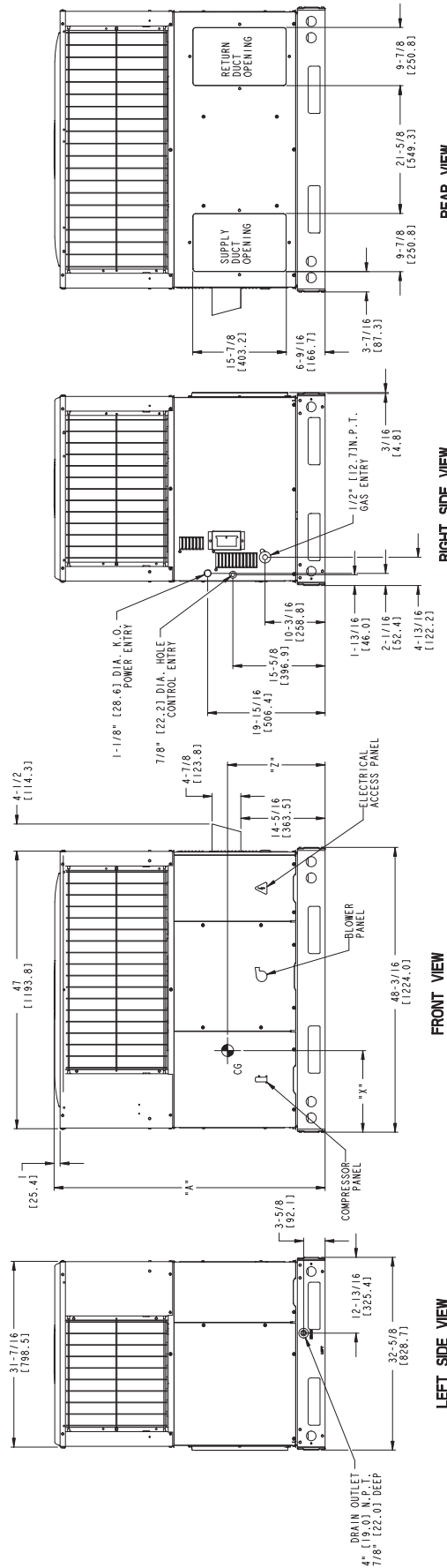
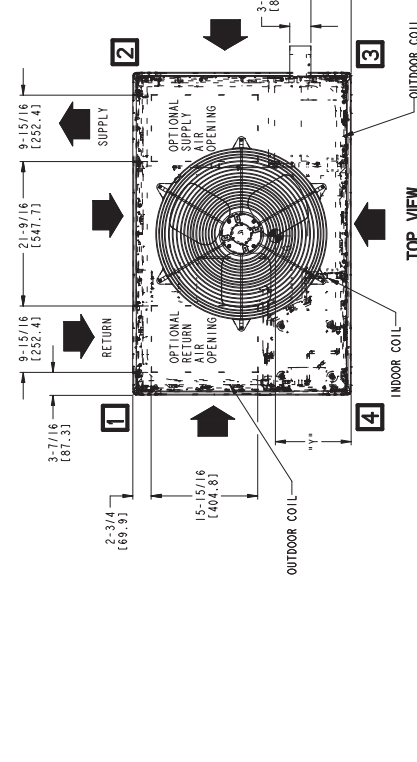
(EXCEPT FOR NEC REQUIREMENTS)

UNIT TOP.....48 (1219.2)

SIDE OPPOSITE DUCTS.....36 (914.0)

DUCT PANEL.....12 (304.8)

*MINIMUM DISTANCES: IF UNIT IS PLACED LESS THAN 12 (304.8) FROM WALL SYSTEM, THEN SYSTEM PERFORMANCE MAYBE COMPROMISED.

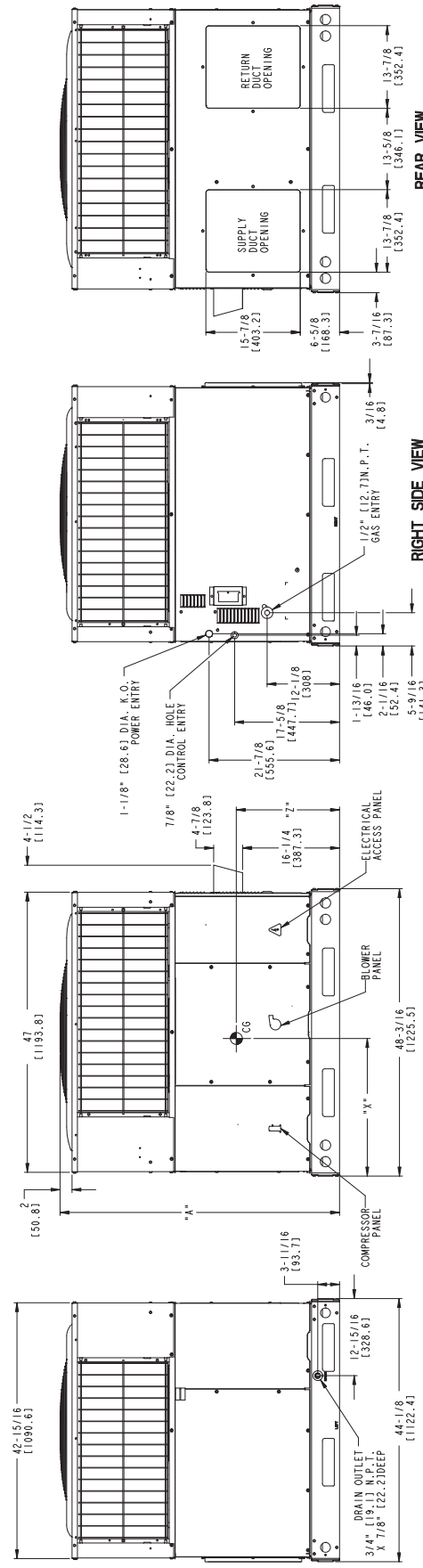
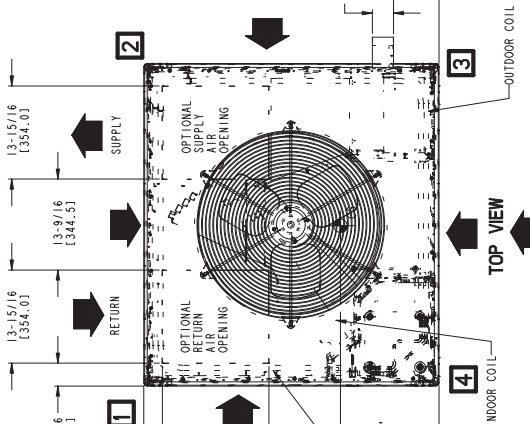


Unit PG(D,S)3	ELECTRICAL CHARACTERISTICS	UNIT WT.		UNIT HEIGHT		CENTER OF GRAVITY					
		LB	KG	"A"	"A"	X	Y	Z			
208/230-3-60	208/230-3-60	411	186.5	39-1/16	1014.4	22-13/16	579.4	18	457.2	17-1/8	435.0
420/60/090	420-3-60	425	192.3	39-1/16	1014.4	22-13/16	579.4	18	457.2	17-1/8	435.0
208/230-3-60	208/230-3-60	419	190.2	41-1/16	1065.2	22-13/16	579.4	18	457.2	17-3/8	441.3
480/90/115/130	480-3-60	433	196.5	41-1/16	1065.2	22-13/16	579.4	18	457.2	17-3/8	441.3
600/90/115/130	600-3-60	441	200.1	41-1/16	1065.2	22-13/16	579.4	18	457.2	17-5/8	447.7
600/90/115/130	600-3-60	455	206.5	41-1/16	1065.2	22-13/16	579.4	18	457.2	17-5/8	447.7

REQUIRED CLEARANCES TO COMBUSTIBLE MATL.

Unit PG(D,S)3	VOLTAGE	CORNER WEIGHT		TOP OF UNIT	UNIT	SIDE	OPPOSITE	DUCTS	BOTTOM	OF UNIT	FLUE	PANEL						
		"2"	"3"															
208/230	61.7	28.0	82.2	37.3	123.4	56.0	143.9	65.3	460	61.7	28.0	82.2	37.3	123.4	56.0	143.9	65.3	
420/60/090	460	61.7	28.0	82.2	37.3	123.4	56.0	143.9	67.6	480/90/115/130	62.9	28.6	83.8	38.1	125.8	57.1	146.7	66.6
480/90/115/130	460	62.9	28.6	83.8	38.1	125.8	57.1	146.7	68.9	600/90/115/130	66.2	30.0	88.2	40.1	132.4	60.1	154.4	70.1
600/90/115/130	460	66.2	30.0	88.2	40.1	132.4	60.1	154.4	72.4									

INCHES (MM)
 TOP OF UNIT.....14 (355.6)
 UNIT.....14 (355.6)
 SIDE.....14 (355.6)
 OPPOSITE.....14 (355.6)
 DUCTS.....10 (254.0)
 BOTTOM OF UNIT.....10 (254.0)
 FLUE PANEL.....36 (914.4)
 NEC. REQUIRED CLEARANCES.
 BETWEEN UNITS: POWER ENTRY SIDE.....42 (1066.8)
 UNIT AND UNGROUNDED SURFACES, POWER ENTRY SIDE.....36 (914.0)
 UNIT AND UNGROUNDED SURFACES, POWER ENTRY SIDE.....36 (914.0)
 UNIT AND UNGROUNDED SURFACES, POWER ENTRY SIDE.....42 (1066.8)
 GROUNDED SURFACES, POWER ENTRY SIDE.....42 (1066.8)
 REQUIRED CLEARANCE FOR OPERATION AND SERVICING
 INCHES (MM)
 POWER ENTRY SIDE.....42 (1066.8)
 POWER ENTRY SIDE (EXCEPT FOR NEC REQUIREMENTS)
 UNIT TOP.....48 (1219.2)
 SIDE OPPOSITE DUCTS.....36 (914.0)
 DUCT PANEL.....12 (304.8)
 *MINIMUM DISTANCES: IF UNIT IS PLACED LESS THAN 12 (304.8) FROM WALL SYSTEM, THEN SYSTEM PERFORMANCE MAYBE COMPROMISED.



DANGER: ELECTRICAL SHOCK HAZARD DISCONNECT POWER BEFORE SERVICING

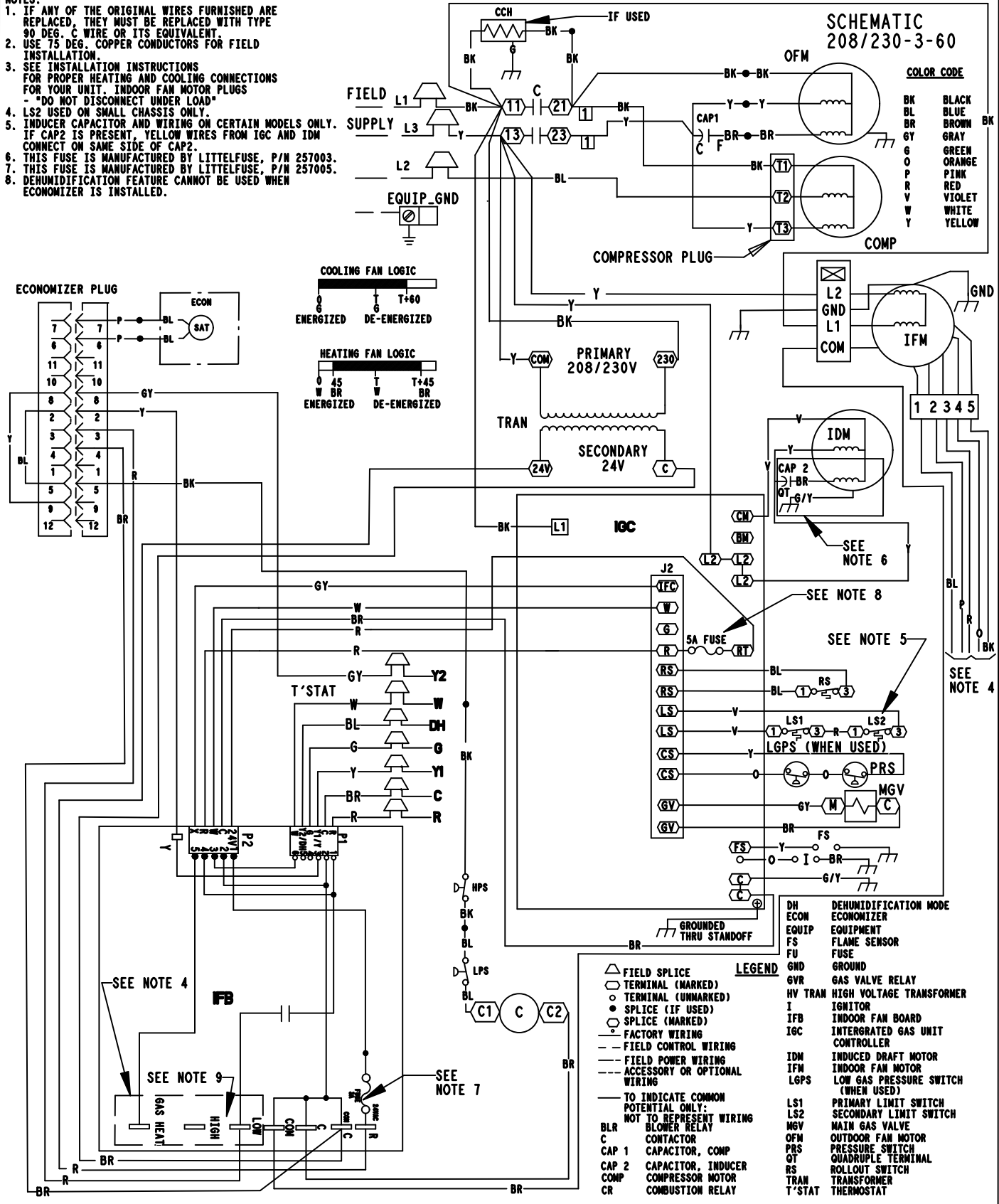
NOTES:

1. IF ANY OF THE ORIGINAL WIRES FURNISHED ARE REPLACED, THEY MUST BE REPLACED WITH TYPE 90 DEG. C WIRE OR ITS EQUIVALENT.
2. USE 15 DEG. COPPER CONDUCTORS FOR FIELD INSTALLATION.
3. SEE INSTALLATION INSTRUCTIONS FOR PROPER HEATING AND COOLING CONNECTIONS FOR YOUR UNIT. INDOOR FAN MOTOR PLUGS - "DO NOT DISCONNECT UNDER LOAD"
4. LS2 USED ON SMALL CHASSIS ONLY.
5. INDUCER CAPACITOR AND WIRING ON CERTAIN MODELS ONLY. IF CAP2 IS PRESENT, YELLOW WIRES FROM IGC AND IDM CONNECT ON SAME SIDE OF CAP2.
6. THIS FUSE IS MANUFACTURED BY LITTELFUSE, P/N 257003.
7. THIS FUSE IS MANUFACTURED BY LITTELFUSE, P/N 257005.
8. DEHUMIDIFICATION FEATURE CANNOT BE USED WHEN ECONOMIZER IS INSTALLED.

SCHEMATIC 208/230-3-60

COLOR CODE

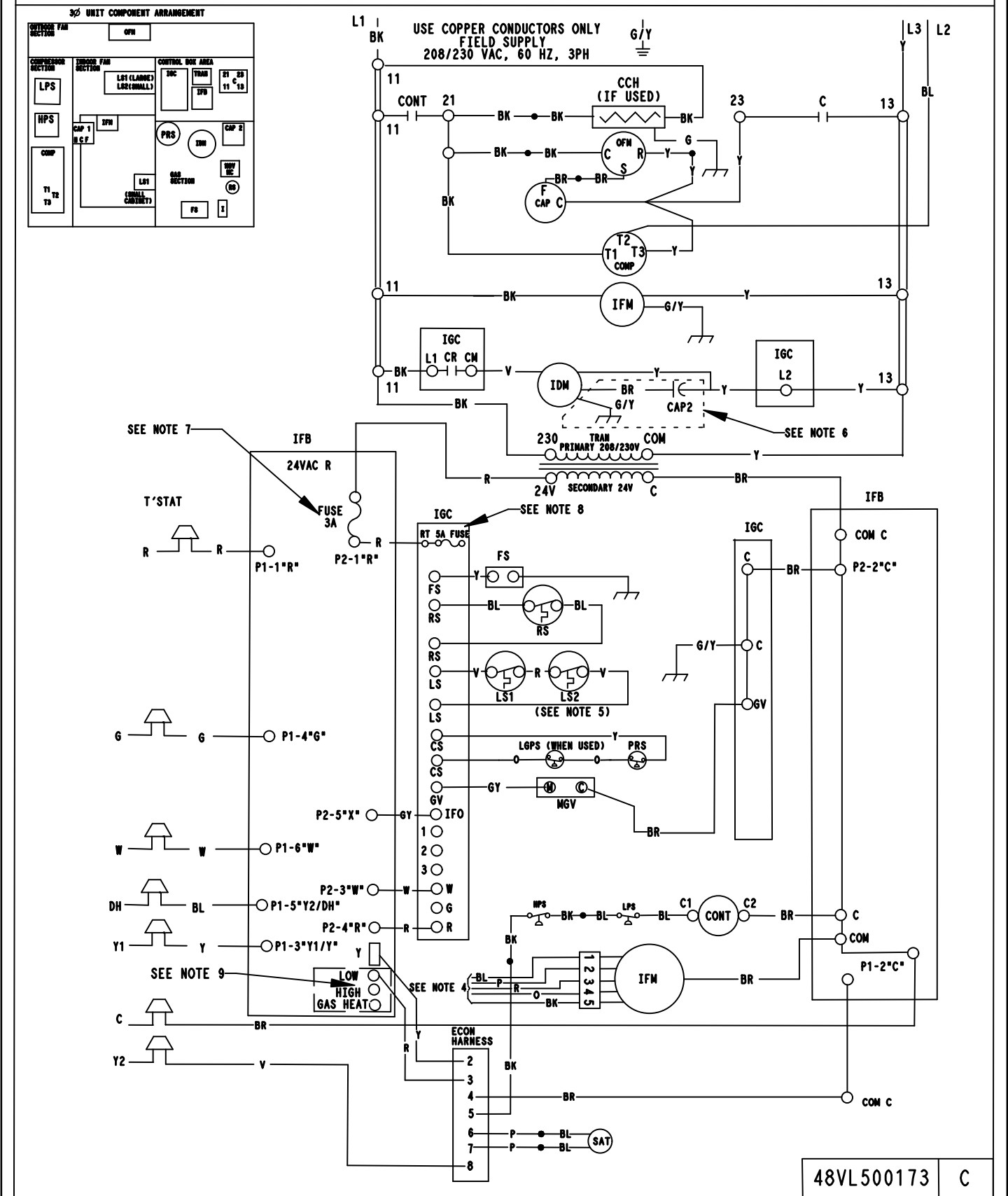
BK	BLACK
BL	BLUE
BR	BROWN
GY	GRAY
G	GREEN
O	ORANGE
P	PINK
R	RED
V	VIOLET
W	WHITE
Y	YELLOW



LEGEND

△	FIELD SPLICE
○	TERMINAL (MARKED)
○	TERMINAL (UNMARKED)
●	SPLICE (IF USED)
○	SPLICE (MARKED)
---	FACTORY WIRING
- - -	FIELD CONTROL WIRING
- · - · -	FIELD POWER WIRING
- · - · -	ACCESSORY OR OPTIONAL WIRING
---	TO INDICATE COMMON POTENTIAL ONLY: NOT TO REPRESENT WIRING
BLR	BLOWER RELAY
C	CONTACTOR
CAP 1	CAPACITOR, COMP
CAP 2	CAPACITOR, INDUCER
COMP	COMPRESSOR MOTOR
CR	COMBUSTION RELAY
DH	DEHUMIDIFICATION MODE
ECON	ECONOMIZER
EQUIP	EQUIPMENT
FS	FLAME SENSOR
FU	FUSE
GND	GROUND
GVR	GAS VALVE RELAY
HV TRAN	HIGH VOLTAGE TRANSFORMER
I	IGNITOR
IFB	INDOOR FAN BOARD
IGC	INTERGRATED GAS UNIT CONTROLLER
IDM	INDUCED DRAFT MOTOR
IFM	INDOOR FAN MOTOR
LGPS	LOW GAS PRESSURE SWITCH (WHEN USED)
LS1	PRIMARY LIMIT SWITCH
LS2	SECONDARY LIMIT SWITCH
MGV	MAIN GAS VALVE
OFM	OUTDOOR FAN MOTOR
PRS	PRESSURE SWITCH
RS	QUADRUPLE TERMINAL ROLL-OUT SWITCH
TRAN	TRANSFORMER
T'STAT	THERMOSTAT

DANGER: ELECTRICAL SHOCK HAZARD DISCONNECT POWER BEFORE SERVICING



CONNECTION WIRING SCHEMATIC 460-3-60

DANGER: ELECTRICAL SHOCK HAZARD DISCONNECT POWER BEFORE SERVICING

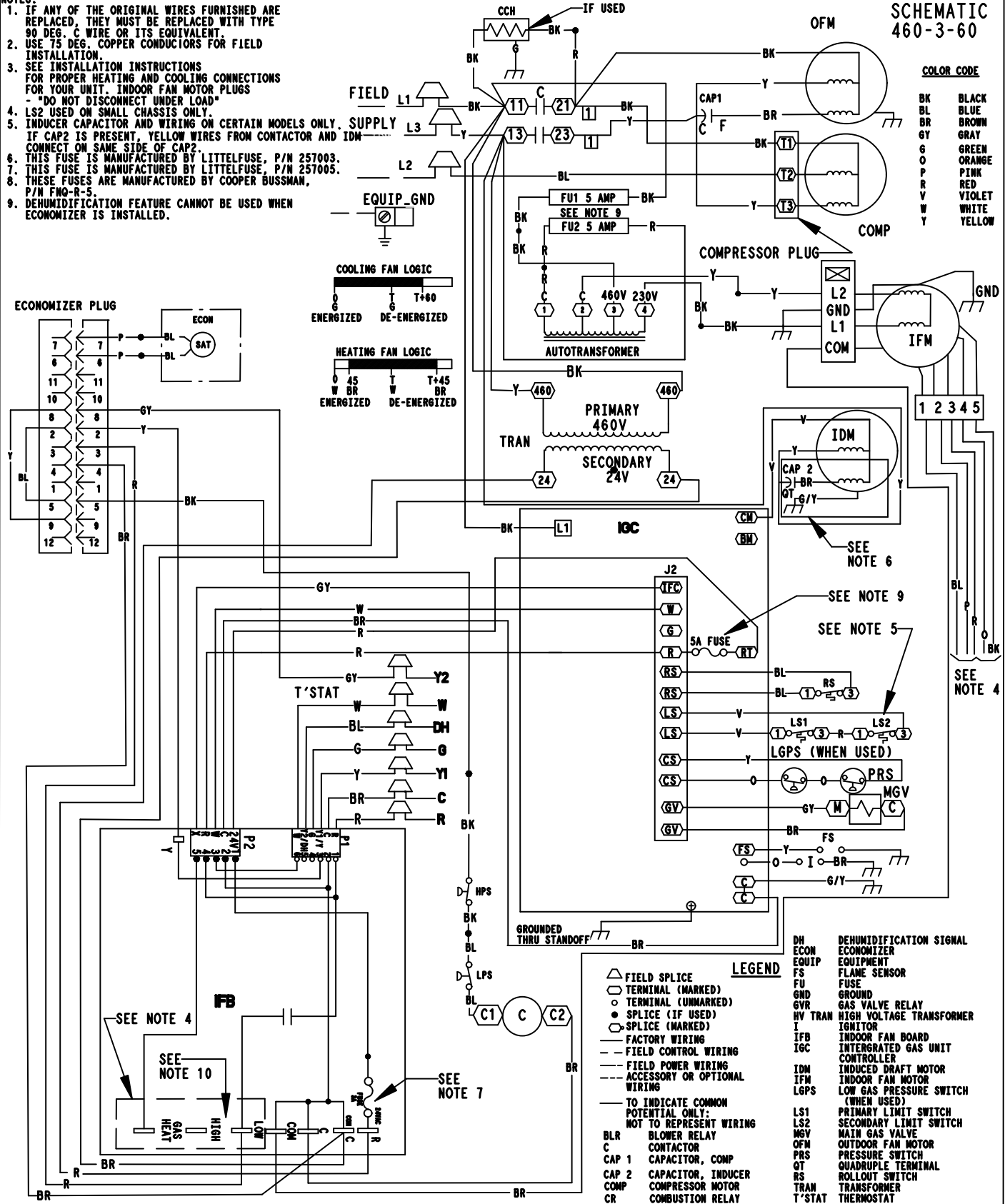
**SCHEMATIC
460-3-60**

NOTES:

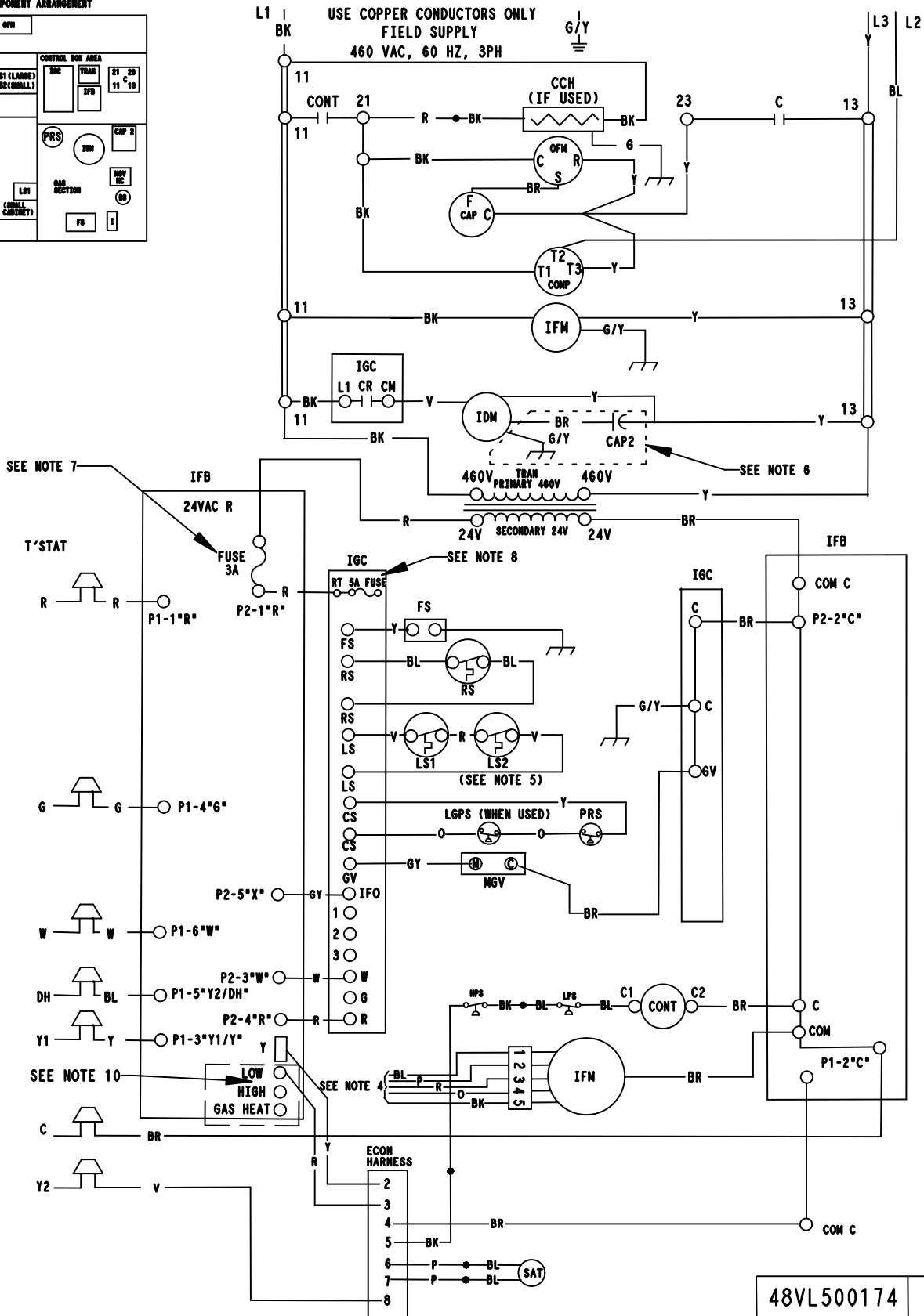
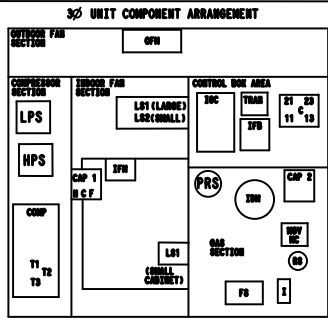
1. IF ANY OF THE ORIGINAL WIRES FURNISHED ARE REPLACED, THEY MUST BE REPLACED WITH TYPE 90 DEG. C WIRE OR ITS EQUIVALENT.
2. USE 75 DEG. COPPER CONDUCTORS FOR FIELD INSTALLATION.
3. SEE INSTALLATION INSTRUCTIONS FOR PROPER HEATING AND COOLING CONNECTIONS FOR YOUR UNIT. INDOOR FAN MOTOR PLUGS - "DO NOT DISCONNECT UNDER LOAD"
4. LS2 USED ON SMALL CHASSIS ONLY.
5. INDUCER CAPACITOR AND WIRING ON CERTAIN MODELS ONLY. IF CAP2 IS PRESENT, YELLOW WIRES FROM CONTACTOR AND IDM CONNECT ON SAME SIDE OF CAP2.
6. THIS FUSE IS MANUFACTURED BY LITTELFUSE, P/N 257003.
7. THIS FUSE IS MANUFACTURED BY LITTELFUSE, P/N 257005.
8. THESE FUSES ARE MANUFACTURED BY COOPER BUSSMAN, P/N FMO-R-5.
9. DEHUMIDIFICATION FEATURE CANNOT BE USED WHEN ECONOMIZER IS INSTALLED.

COLOR CODE

BK	BLACK
BL	BLUE
BR	BROWN
GY	GRAY
G	GREEN
O	ORANGE
P	PINK
R	RED
V	VIOLET
W	WHITE
Y	YELLOW



DANGER: ELECTRICAL SHOCK HAZARD DISCONNECT POWER BEFORE SERVICING



48VL500174

C

CONTROLS

Operating sequence

Heating – On a call for heating, terminal “W” of the thermostat is energized, starting the induced-draft motor. When the pressure switch senses that the induced-draft motor is moving sufficient combustion air, the burner sequence begins. This function is performed by the integrated gas unit controller (IGC). The indoor (evaporator)-fan motor is energized 45 sec after flame is established. When the thermostat is satisfied and W is de-energized, the burners stop firing and the indoor (evaporator) fan motor shuts off after a 45-sec time-off delay. Please note that the IGC has the capability to automatically reduce the indoor fan motor on delay and increase the indoor fan motor off delay in the event of high duct static and/or partially-clogged filter.

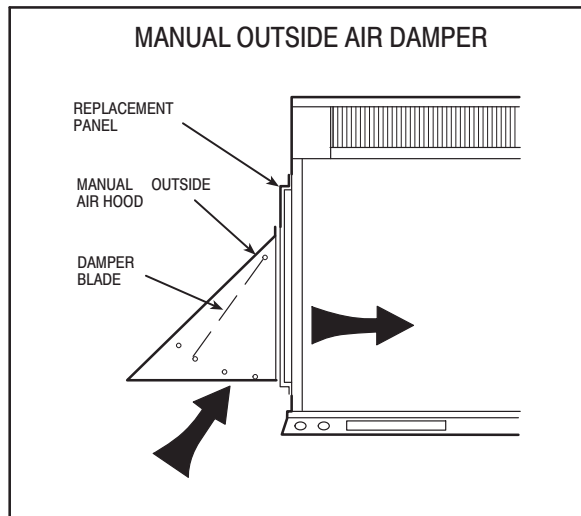
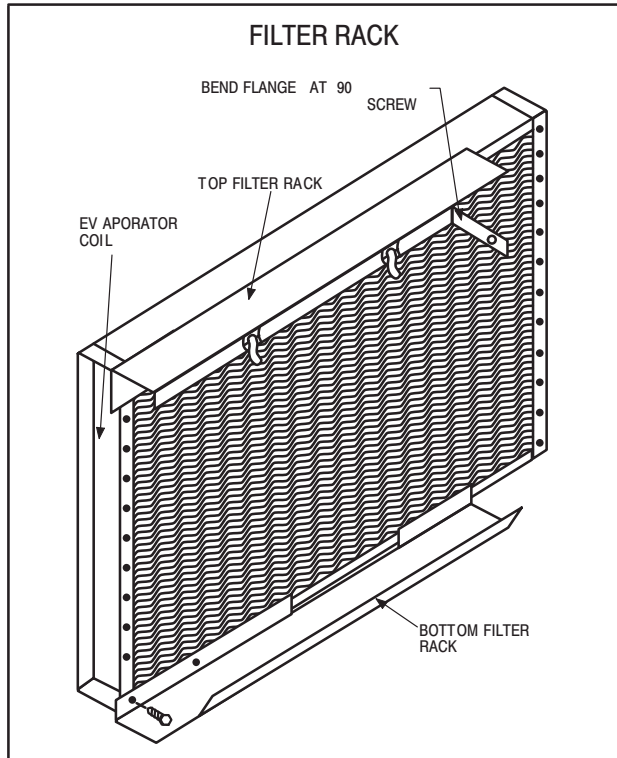
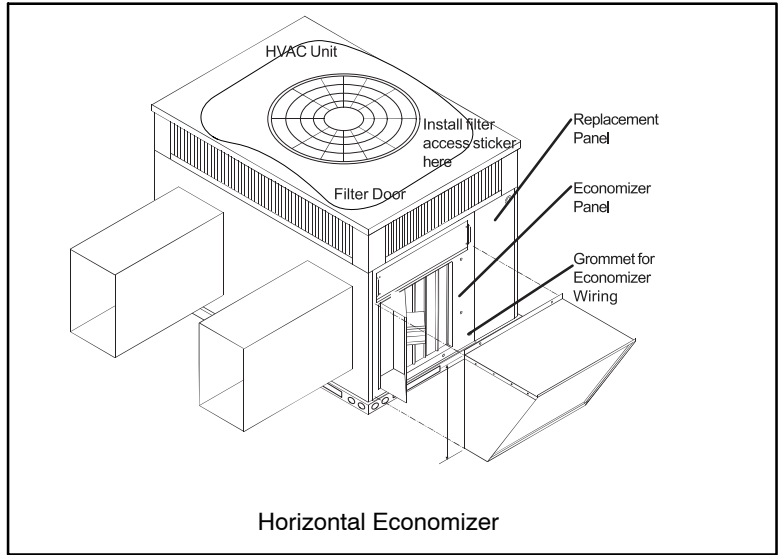
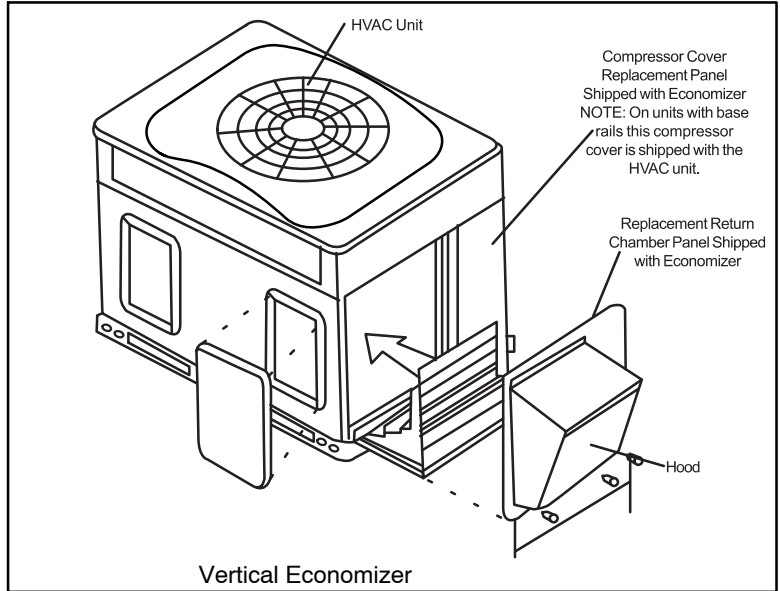
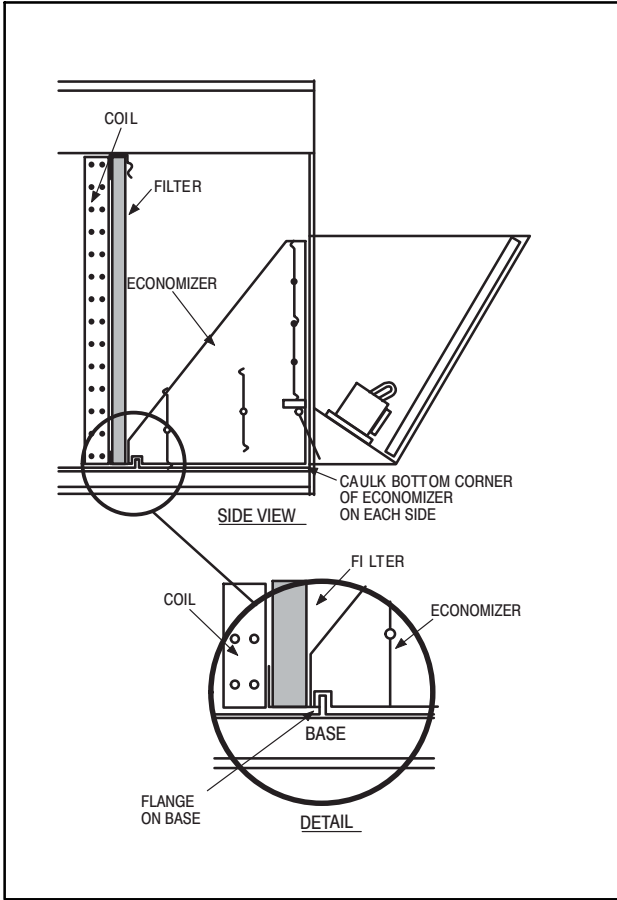
Cooling — When the system thermostat calls for cooling, 24 V is supplied to the “Y1/Y” and “G” terminals of the thermostat. This completes the circuit to the contactor coil (C) and indoor (evaporator) fan relay (IFR). The normally open contacts of energized C close and complete the circuit through compressor motor (COMP) to outdoor (condenser) fan motor (OFM). Both motors start instantly. The set of normally open contacts of energized IFR close and complete the circuit through IFM. The IFM starts instantly.

On the loss of the thermostat call for cooling, 24 V is removed from both the “Y1/Y” and “G” terminals (provided the fan switch is in the “AUTO” position) de-energizing the compressor contactor and opening the contacts supplying power to compressor/OFM. After a 90-second delay, the IFM shuts off. If the thermostat fan selector switch is in the “ON” position, the IFM will run continuously.

NOTE: On units with an anti-cycle device: Once the compressor has started and then stopped, it cannot be restarted again until 5 minutes have elapsed.

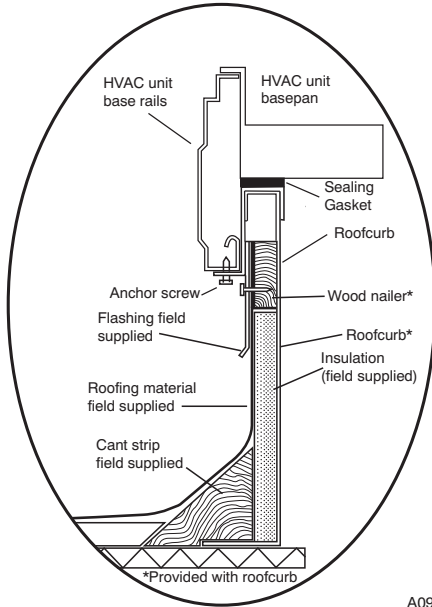
ACCESSORIES

ECONOMIZER



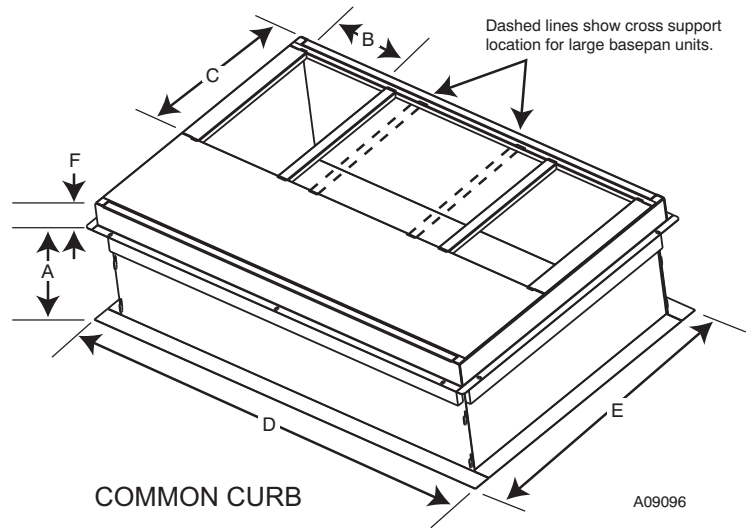
ACCESSORIES

ROOF CURBS

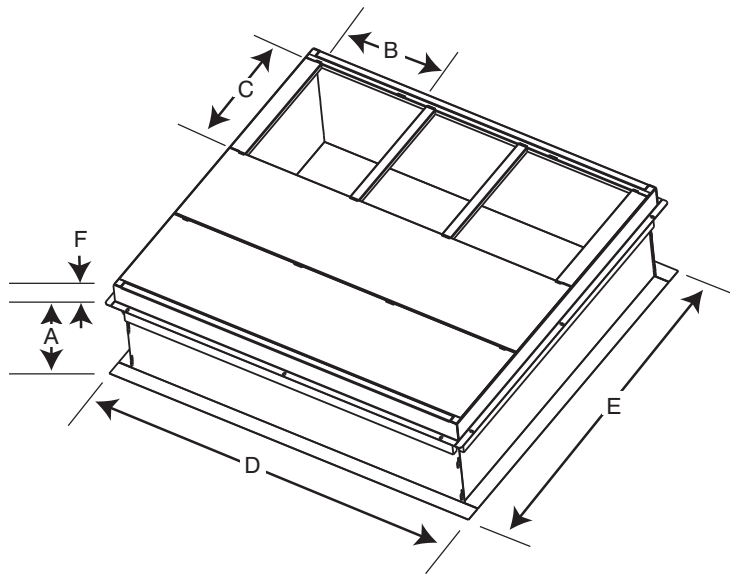


A09090

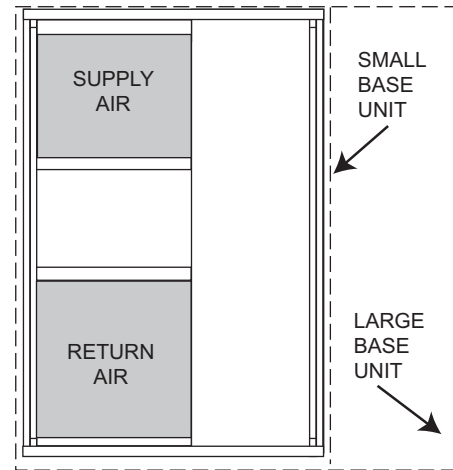
ROOF CURB DETAIL



A09096



A09095



UNIT PLACEMENT ON COMMON CURB

A09094

SMALL OR LARGE BASE UNIT

UNIT SIZE	CATALOG NUMBER	A IN. (mm)	B (small base) IN. (mm)*	B (large base) IN. (mm)*	C IN. (mm)	D IN. (mm)	E IN. (mm)	F IN. (mm)
Small or Large	CPRFCURB010A00	11 (279)	10 (254)	14 (356)	16 (406)	47.8 (1214)	32.4 (822)	2.7 (69)
	CPRFCURB011A00	14 (356)						
Large	CPRFCURB012A00	11 (279)	N/A				43.9 (1116)	
	CPRFCURB013A00	14 (356)						

* Part Numbers CPRFCURB010A00 and CPRFCURB011A00 can be used on both small and large basepan units. The cross supports must be located based on whether the unit is a small basepan or a large basepan.

NOTES:

1. Roof curb must be set up for unit being installed.
2. Seal strip must be applied, as required, to unit being installed.
3. Roof curb is made of 16-gauge steel.
4. Attach ductwork to curb (flanges of duct rest on curb).
5. Insulated panels: 1-in. (25.4 mm) thick fiberglass 1 lb. density.

PGD3, PGS3 ACCESSORIES (continued)

ROOF CURBS		
Model Number	Description	Use With Model Size
CPRFCURB010A00	Roof Curb, 11" High	30 – 60
CPRFCURB011A00	Roof Curb, 14" High	30 – 60
CPRFCURB012A00	Roof Curb, 11" High	42 – 60
CPRFCURB013A00	Roof Curb, 14" High	42 – 60
Note: CPRFCURB010A00 AND CPRFCURB011A00 can be used with 42–60 size units with some overhang.		
ADAPTER CURBS*		
CPADCURB001A00	Adapter Curb for use with NPRFCURB006A00 & NPRFCURB007A00	30 – 36
CPADCURB002A00	Adapter Curb for use with NPRFCURB008A00 & NPRFCURB009A00	42 – 60
* Can also be used when replacing other manufacturer's older generation units that contain a composite base without a metal base rail.		
CONCENTRIC ADAPTERS – (Use with curb only)		
NPONADP001A00	For 18" round duct (use with curbs CPRFCURB010A00, CPRFCURB011A00)	Small Curb
NPONADP002A00	For 18" round duct (use with curbs CPRFCURB012A00, CPRFCURB013A00)	Large Curb
CONCENTRIC DIFFUSERS – (Ceiling or under roof)		
AXB020CSA*	Step Down Diffuser – Fits 2' x 4' Ceiling Grid (16" round collars for flex conn.)	30 – 42
AXB020CFA*	Flush Mount Diffuser – Fits 2' x 4' Ceiling Grid (16" round collars for flex conn.)	30 – 42
AXB030CSA	Step Down Diffuser – Fits 2' x 4' Ceiling Grid (18" round collars for flex conn.)	30 – 60
AXB030CFA	Flush Mount Diffuser – Fits 2' x 4' Ceiling Grid (18" round collars for flex conn.)	30 – 60
* A field supplied 18" to 16" round reducer required when used with NP concentric adaptor		
ECONOMIZERS		
Model Number	Description	Use With Model Size
CPECOMZR007A00	Dedicated Vertical Economizer – Internal with solid state controller, gear driven, fully modulating damper, spring return actuator, up to 50% barometric relief, supply and dry bulb outdoor air sensors. Includes filter rack with 1" filters*.	30, 36
CPECOMZR008A00		42, 48
CPECOMZR009A00		60
CPECOMZR010A00	Dedicated Horizontal Economizer – Internal with solid state controller, fully modulating damper, spring return actuator, supply and dry bulb outdoor air sensor, and low ambient compressor lockout switch included. Includes filter rack with 1–inch filters*.	30, 36
CPECOMZR011A00		42, 48
CPECOMZR012A00		60
AXB078ENT	Outdoor Enthalpy Control	ALL
* Outdoor enthalpy available as field installed accessory; Filter rack and 1" filter, same as CPFILTRK kit		
MANUAL FRESH AIR DAMPERS		
Model Number	Description	Use With Model Size
CPMANDPR007A00	Manual Outside Air Damper – (Includes filter rack and 1" filter, same as CPFILTRK kit)	30, 36
CPMANDPR008A00		42, 48
CPMANDPR009A00		60
INTERNAL FILTER RACK and FILTER (shipped with 1" filters)		
Model Number	Description	Use With Model Size
CPFILTRK007A00	Internal Filter Rack	30, 36
CPFILTRK008A00		42, 48
CPFILTRK009A00		60
LOW AMBIENT, ANTI-CYCLE TIMER		
Model Number	Description	Use With Model Size
CPLOWAMB001A00	Low ambient Control – enables cooling system to operate down to 0 Deg. F by cycling condenser fan on and off	ALL
NRTIMEGD001A00	5 minute anti-cycle timer (Note: many thermostats have inherent anti-cycle timer logic)	ALL

PGD3, PGS3 ACCESSORIES (continued)

CRANKCASE HEATER – BELLY BAND TYPE

NPCRKHTR008A00	240V Crankcase Heater	30, 36
NPCRKHTR004A00	240V Crankcase Heater (included with 60 size models)	42, 48
NPCRKHTR009A00	460V Crankcase Heater	36
NPCRKHTR005A00	460V Crankcase Heater (included with 60 size models)	42, 48

GAS CONVERSION KITS

Model Number	Description	Use With Model Size
NPLPCONV013A00	Natural Gas to Propane Conversion Kit (0 – 2000')	ALL
NPLPCONV014A00	Natural Gas to Propane Conversion Kit (2001' – 6000')	ALL
NPNGCONV004A00	Propane to Natural Gas Conversion Kit (0 – 2000')	ALL

FLUE DISCHARGE DEFLECTOR

Model Number	Description	Heat Input (BTU/h)
CRFLUEDS001A00	Directs flue gas exhaust 90 degrees upward from current discharge. Designed to allow tighter distances between unit and combustible surfaces. 24 inch Height. AGA certified.	40,000 – 130,000

HAIL GUARD / COIL PROTECTION

Model Number	Description	Use With Model Size
NAPA00501GR	3/8" spacing dense wire grilles	30
NAPA00901GR	3/8" spacing dense wire grilles	36
NAPA00601GR	3/8" spacing dense wire grilles	42
NAPA00801GR	3/8" spacing dense wire grilles	48, 60

DUCT TRANSITIONS

Model Number	Description	Use With Model Size
NPDUCFLG002A00	Square to 14" Round (1 set of 2, use with horizontal duct flanges only)	30 – 48

International Comfort Products, LLC
 Lewisburg, Tennessee 37091 USA
www.GoDayandNight.com