

For Residential and Commercial Applications

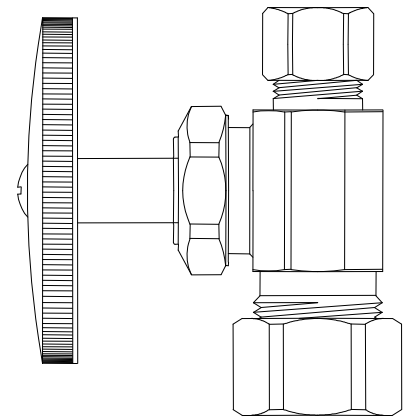
Job Name		Engineer / Architect	
Job Location		Wholesaler	
Submittal Date		Contractor	

OCR11/ OCR14/ OCR34/ OCR44 Multi-Turn Straight Stop – Compression x Compression

Use: For use in potable water distribution systems. Not intended for recirculating water systems that produce continuous use temperatures above 115° F. For those applications, use BrassCraft KT series ball stops

Design Features:

- **Machined one-piece brass body** provides strength, durability and long-lasting performance
- **Knurled oval handle** provides a secure grip and smooth on/off operation
- **Easy-to-remove handle** with screw attachment protects accidental stop operation during rough-ins
- **Compliant Stops** available for California and Vermont “low-lead” requirements



Operating Specifications:

Temperature: 40° - 140° F

Pressure: 125 psi maximum



Standard

MATERIAL SPECIFICATIONS	
Valve Body	C36000 brass
Stem	POM or C36000 brass*
Bib & Packing Washers	Nitrile or EPDM rubber
Packing Nut	C36000 brass
Handle	Plated metal, chrome plated ABS or Lexan
Handle Screw	Zinc-plated steel
Compression Sleeve	C36000 brass
Compression Nut	C36000 brass

Compliant

MATERIAL SPECIFICATIONS	
Valve Body	Compliant brass
Stem	POM or Compliant brass*
Bib & Packing Washers	Nitrile or EPDM rubber
Packing Nut	Compliant brass
Handle	Plated metal, chrome plated ABS or Lexan
Handle Screw	Zinc-plated steel
Compression Sleeve	Compliant brass
Compression Nut	C36000 brass

*Where specified

Standard Part Listing:

- OCR11 C 1/4" Nom. Compression x 3/8" OD Compression, chrome plated
- OCR11 CBT 1/4" Nom. Compression x 3/8" OD Compression, chrome plated, bulk, plain tray
- OCR11 C1 1/4" Nom. Compression x 3/8" OD Compression, chrome plated, window box
- OCR11 R 1/4" Nom. Compression x 3/8" OD Compression, rough brass
- OCR11Z C 1/4" Nom. Compression x 3/8" OD Compression, brass stem, chrome plated
- OCR14 C 1/2" Nom. Compression x 3/8" OD Compression, chrome plated
- OCR14 CBT 1/2" Nom. Compression x 3/8" OD Compression, chrome plated, bulk, plain tray
- OCR14 C1 1/2" Nom. Compression x 3/8" OD Compression, chrome plated, window tray
- OCR14 R 1/2" Nom. Compression x 3/8" OD Compression, rough brass

This specification and all information contained herein is the confidential and exclusive property of BrassCraft Manufacturing, and shall not be disclosed to others without the written consent of BrassCraft. This specification must be returned to BrassCraft if requested.



OCR11/ OCR14/ OCR34/ OCR44 Multi-Turn Straight Stop – Compression x Compression

Standard Part Listing (con't):

- OCR14 RBT 1/2" Nom. Compression x 3/8" OD Compression, rough brass, bulk, plain tray
- OCR14 R1 1/2" Nom. Compression x 3/8" OD Compression, rough brass, window tray
- OCR14Z C 1/2" Nom. Compression x 3/8" OD Compression, brass stem, chrome plated
- OCR14Z R 1/2" Nom. Compression x 3/8" OD Compression, brass stem, rough brass
- OCR14 NP 1/2" Nom. Compression x 3/8" OD Compression, polished nickel
- OCR14 NS 1/2" Nom. Compression x 3/8" OD Compression, satin nickel
- OCR14 BZ 1/2" Nom. Compression x 3/8" OD Compression, oil rubbed bronze
- OCR14 P 1/2" Nom. Compression x 3/8" OD Compression, polished brass
- OCR14PX C 1/2" Nom. Compression w/ PEX stainless steel insert x 3/8" OD Compression, chrome plated
- OCR34 C 1/2" Nom. Compression x 1/2" OD Compression, chrome plated
- OCR34 C1 1/2" Nom. Compression x 1/2" OD Compression, chrome plated, window tray
- OCR34 CBT 1/2" Nom. Compression x 1/2" OD Compression, chrome plated, bulk, plain tray
- OCR34 R 1/2" Nom. Compression x 1/2" OD Compression, rough brass
- OCR34Z C 1/2" Nom. Compression x 1/2" OD Compression, brass stem, chrome plated
- OCR34Z R 1/2" Nom. Compression x 1/2" OD Compression, brass stem, rough brass
- OCR44PX C 1/2" Nom. Compression w/ PEX stainless steel insert x 1/2" Nom. Compression, chrome plated
- OCR44PX R 1/2" Nom. Compression w/ PEX stainless steel insert x 1/2" Nom. Compression, rough brass

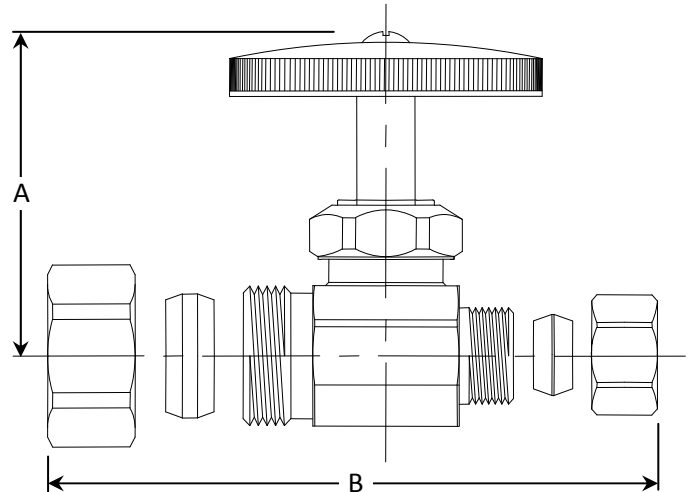
Compliant Part Listing:

- OCR14X C 1/2" Nom. Compression x 3/8" OD Compression, chrome plated
- OCR14X C1 1/2" Nom. Compression x 3/8" OD Compression, chrome plated, window box
- OCR14X R 1/2" Nom. Compression x 3/8" OD Compression, rough brass
- OCR14X R1 1/2" Nom. Compression x 3/8" OD Compression, rough brass, window box
- OCR14Z X C 1/2" Nom. Compression x 3/8" OD Compression, brass stem chrome plated
- OCR34X C 1/2" Nom. Compression x 1/2" OD Compression, chrome plated
- OCR34X C1 1/2" Nom. Compression x 1/2" OD Compression, chrome plated, window box
- OCR34X R 1/2" Nom. Compression x 1/2" OD Compression, rough brass

PART DIMENSIONS (Inches)		
Model	DIM. A	DIM. B
OCR11	1.80	2.12
OCR14 (OCR14PX)	1.80	2.25
OCR14Z	1.80	2.25
OCR34	1.80	2.30

Listings & Certifications:

- IAPMO listed to ASME A112.18.1-05 / CSA B125.1-05 (File # 0645)
- CSA listed to ASME A112.18.1-05 / CSA B125.1-05 (File # 204593)
- Compliant product CSA approved to California Health & Safety Code 116875 and Vermont Bill S.152(Project # 2174785)



This specification and all information contained herein is the confidential and exclusive property of BrassCraft Manufacturing, and shall not be disclosed to others without the written consent of BrassCraft. This specification must be returned to BrassCraft if requested.

BrassCraft®