

## Features

- Brass construction
- One-piece, self-contained ceramic disc joystick valve actuation allows both volume and temperature control.
- Single-hole mounting.
- Single-handle.
- Lever handle.
- 6-3/8" (162 mm) spout reach.
- Stationary spout.
- Touch-activated drain with tailpiece and overflow.
- 1.5 gal/min (5.7 l/min) maximum flow rate [max at 60 psi (4.14 bar)].



ADA

CSA B651

OBC

## Codes/Standards

ASME A112.18.1/CSA B125.1

NSF 61

NSF 372

DOE - Energy Policy Act 1992

ADA

ICC/ANSI A117.1

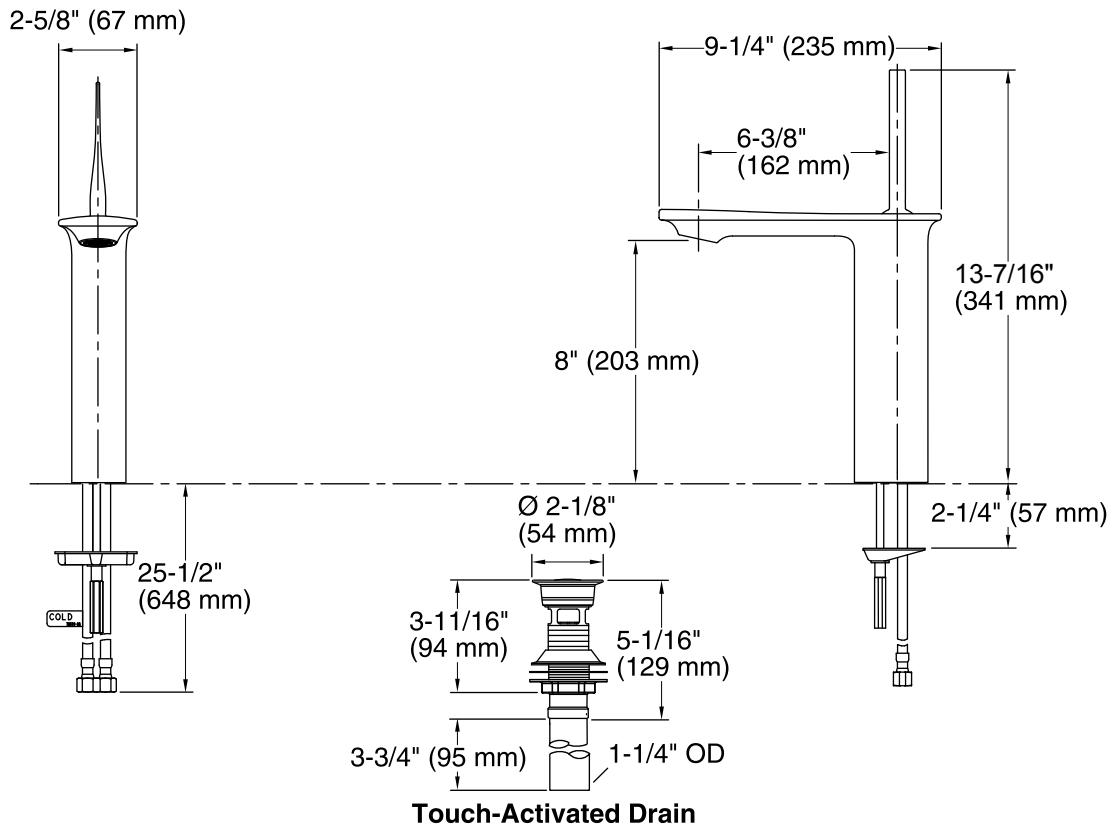
CSA B651

OBC

All applicable US Federal and State material regulations

## KOHLER® Faucet Lifetime Limited Warranty

See website for detailed warranty information.



### Technical Information

All product dimensions are nominal.

Spout reach: 6-3/8" (162 mm)

Drain included: YES

Drain tailpiece included:

### Faucet:

Flow rate: 1.5 gal/min (5.7 l/min)

Pressure: 60 psi (4.1 bar)

### Notes

Install this product according to the installation guide.

ADA, OBC, CSA B651 compliant when installed to the specific requirements of these regulations.