

## Features

- Brass construction.
- Complements Loure Suite.
- Requires a Rite-Temp® valve.

## Required Accessories

- K- 304-K Pressure-balancing Valve Less Stops
- or
- K- 304-CX Pressure-balancing Valve Less Stops
- or
- K- 304-PX Pressure-balancing Valve Less Stops
- or
- K- 304-UX Pressure-balancing Valve Less Stops
- or
- K- 304-KS Pressure-balancing Valve With Stops
- or
- K- 304-CS Pressure-balancing Valve With Stops
- or
- K- 304-PS Pressure-balancing Valve With Stops
- or
- K- 304-US Pressure-balancing Valve With Stops



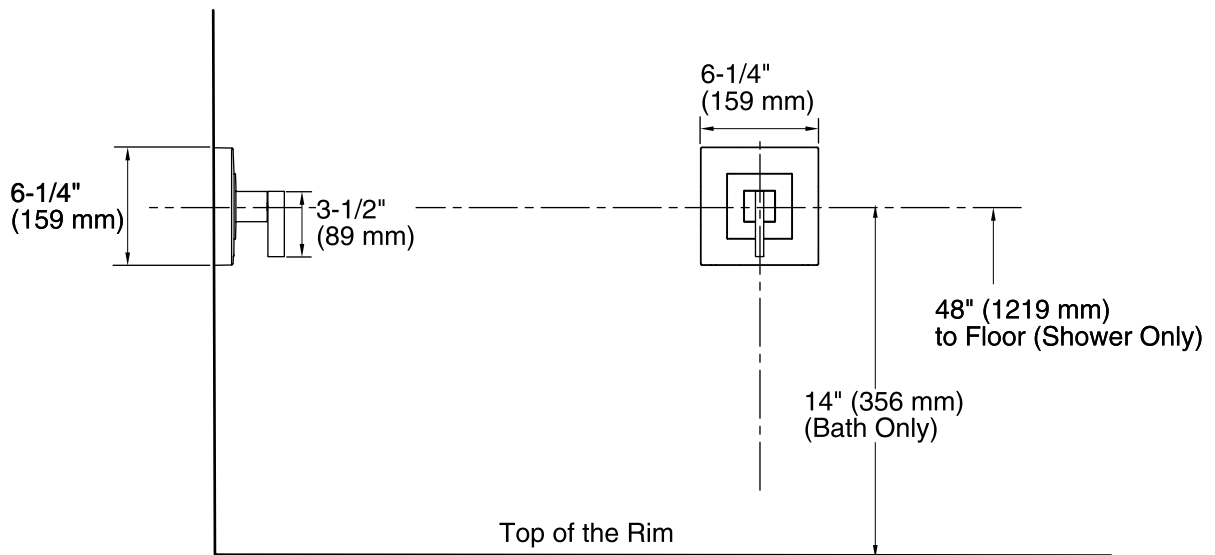
**ADA**

## Codes/Standards

ASME A112.18.1/CSA B125.1  
ASSE 1016  
ADA  
ICC/ANSI A117.1

## KOHLER® Faucet Lifetime Limited Warranty

See website for detailed warranty information.



## Technical Information

All product dimensions are nominal.

## Notes

Install this product according to the installation guide.

Cap the shower outlet if the deck-mounted spout, diverter, or handshower is connected to the spout outlet.

Install straight pipe or tube drop of 7" (178 mm) to 18" (457 mm) with single elbow between the valve and the wall-mount spout. Elbow must be a 90 degree drop ell that is secured to rigid framing.

ADA compliant when installed to the specific requirements of these regulations.