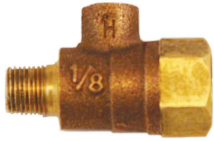


SPECIFICATION SUBMITTAL SHEET



Model 860XL



Model 860XLFT

APPLICATION

Designed for installation on backflow preventers as a test port for attaching a differential pressure gauge. Optional SAE flare fitting allows for fast and easy attachment of test kit hoses. A threaded dust cover is included with the 860FT to protect against fouling caused by insects, dirt and debris.

MATERIALS

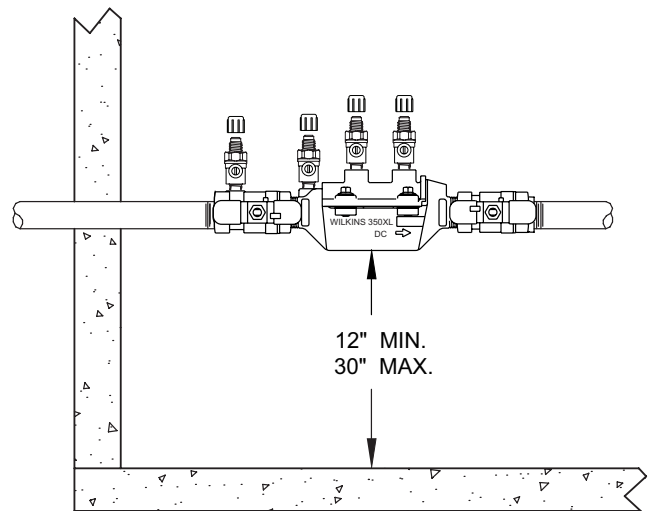
Main valve body	Cast Bronze ASTM B 584
Ball	Brass ASTM B 16, Chrome Plated
Seat & packing	Teflon
Flare fitting	Brass ASTM B 16

FEATURES

Sizes: □ 1/8" □ 1/4"

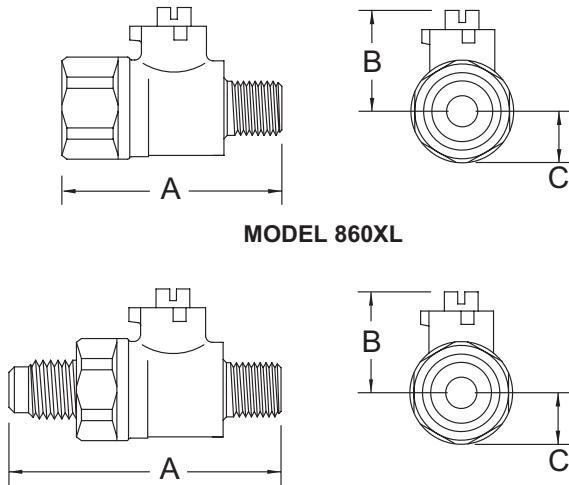
Maximum pressure	300 PSI WOG
Maximum temperature	180°F
End connections	Threaded ANSI B1.20.1
Flare connection (860FT)	45° Flare SAE

TYPICAL INSTALLATION



DIRECTION OF FLOW →

INDOOR INSTALLATION (350XL)



MODEL 860XL

MODEL 860XLFT

DIMENSIONS & WEIGHTS (do not include pkg.)

MODEL	SIZE	DIMENSIONS (approximate)						WEIGHT	
		A		B		C		lbs.	kg
		in.	mm	in.	mm	in.	mm		
18-860XL	1/8" MNPT X 1/4" FNPT	1 5/8	41	3/4	19	3/8	10	1	0.5
14-860XL	1/4" MNPT X 1/4" FNPT	1 5/8	41	3/4	19	3/8	10	1	0.5
18-860XLFT	1/8" MNPT X 45° SAE	2	51	3/4	19	3/8	10	1	0.5
14-860XLFT	1/4" MNPT X 45° SAE	2	51	3/4	19	3/8	10	1	0.5