



**PRODUCT DESCRIPTION**

5230 Series 1.75" Modular Support Leg

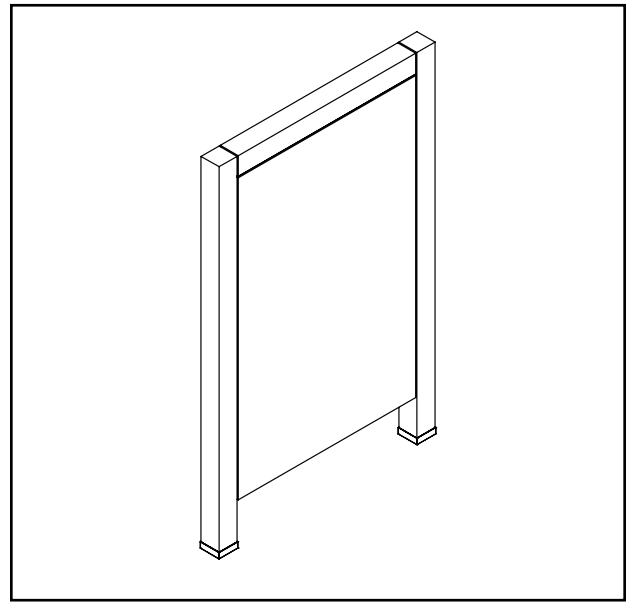
- Available in White (WHT) or Espresso (ESP) Finish
- Solid Wood Frame
- Modular Suite Component

**PRODUCT MEASUREMENTS**

- Width: 1.75"
- Depth: 21"
- Height: 33"

**RECOMMENDED ACCESSORIES**

- 5221, 5222 or 5223 Vanities
- 5225 Drawer Console
- 5226 Vanity Drawer
- 5229 Vanity Stool



**ROUGHING-IN DIMENSIONS**

Please Note: All drawings contain the necessary measurements which are subject to standard industry tolerances. They are stated in inches and are non-binding. Exact measurements, in particular for customized installation scenarios, can only be taken from the finished product.

