



# AZALEA

## PORCELAIN ON STEEL 20" x 17" OVAL LAVATORY



### DESCRIPTION:

Attractive oval styling in a variety of options. Available in six (6) stocking and six (6) available colors.

Faucets not included.

### ORDERING INFORMATION:

**021-2445** Centerset punch, self-rimming (studs w/o soap depressions)

**021-2445M** Centerset punch, self-rimming (studs w/o soap depressions, multi-pack, 6 lavs per carton)

**021-2422** Centerset punch, self-rimming vinyl rim, (studs w/o soap depressions)

**021-2448** Centerset punch, self-rimming (studs w/o soap depressions, less overflow)

**021-2485** Centerset punch, self-rimming (studs with soap depressions)

**021-2485M** Centerset punch, self-rimming (studs with soap depressions multi-pack 6 lavs per carton)

**021-2446** Centerset punch, self-rimming (brackets w/o soap depressions)

**021-2446M** Centerset punch, self-rimming (brackets w/o soap depressions multi-pack 6 lavs per carton)

**021-2447** Centerset punch, self-rimming (brackets with soap depressions)

**021-2447M** Centerset punch, self-rimming (brackets with soap depressions, multi-pack, 6 lavs per carton)

### BOOTZ INDUSTRIES

1400 Park Street

P.O. Box 18010

Evansville, IN 47719-1010

Phone: (812) 423-5401 • FAX: (812) 429-2254

E-Mail: [webmaster@bootz.com](mailto:webmaster@bootz.com)

Website: <http://www.bootz.com>



**SPECIFICATIONS:**

Dimensions:

Exterior: 20" x 17"  
 Depth: 6 1/2"

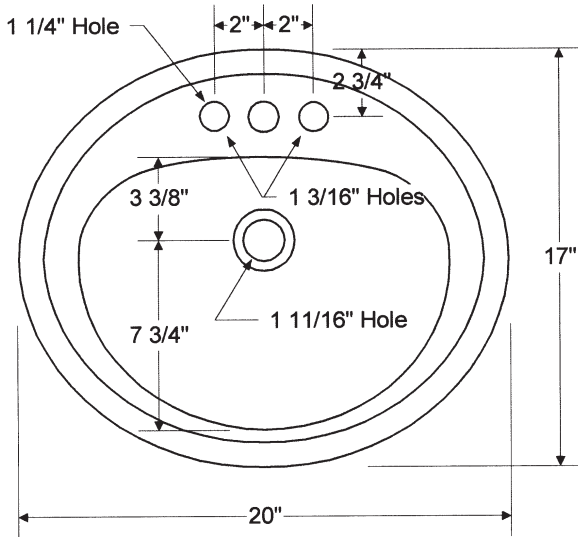
Shipping Weight: 10 lbs.

Complies with:

ANSI A112.19.4M  
 WW-P-541  
 HUD - FHA - VA  
 CSA-N



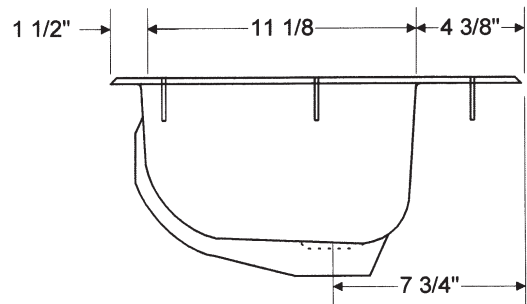
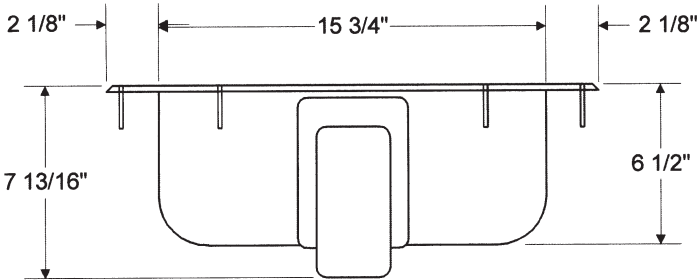
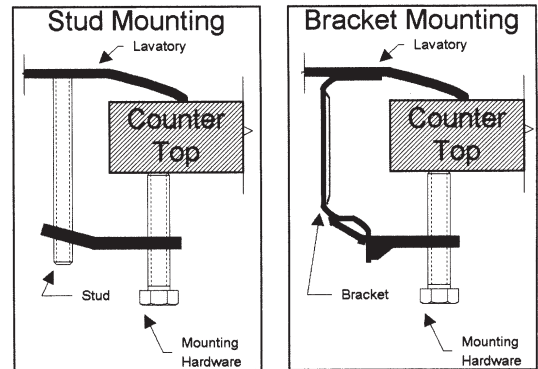
**AZALEA 20" X 17" OVAL LAVATORY 021-2445, 2445M, 2422, 2448, 2485, 2485M, 2446, 2446M, 2447, 2447M**



*Azalea*  
 Oval Lavatory  
 Centerset 20" X 17"

All Dimensions ± 1/8" unless otherwise noted.

021-2445.vsd



Dimensions shown are for reference. Actual dimensions may vary slightly and should be checked prior to installation.



BOOTZ INDUSTRIES  
 1400 Park Street  
 P.O. Box 18010  
 Evansville, IN 47719-1010  
 Phone: (812) 423-5401 • FAX: (812) 429-2254  
 E-Mail: webmaster@bootz.com  
 Website: http://www.bootz.com

