

### Features

- Lever handle.
- Showerhead flows at 2.0 gpm.
- Showerhead has 48 Masterclean™ spray nozzles that resist hard water buildup and a racetrack waterway ensuring great performance in low pressure environments.
- Completes Purist design solution with KOHLER fixtures and accessories.
- Valve sold separately.

### Material

- Premium construction ensures durability and reliability.
- KOHLER finishes resist corrosion and tarnishing, exceeding industry durability standards over two times.

### Required Accessories

- K- 304-CS Pressure-balancing Valve With Stops
- or
- K- 304-CX Pressure-balancing Valve Less Stops
- or
- K- 304-K Pressure-balancing Valve Less Stops
- or
- K- 304-KS Pressure-balancing Valve With Stops
- or
- K- 304-PS Pressure-balancing Valve With Stops
- or
- K- 304-PX Pressure-balancing Valve Less Steps
- or
- K- 304-US Pressure-balancing Valve With Stops
- or
- K- 304-UX Pressure-balancing Valve Less Stops
- or
- K- 2971-KS 3/4" Pressure-balancing Valve

### Optional Accessories

- 88526 Thin Wall Trim Kit
- 1016154 Right-Temp Deep Rough-In

Installed component/s: Shower with arm flange, single-function showerhead, and faceplate with lever handle.



### Codes/Standards

ASME A112.18.1/CSA B125.1  
ASSE 1016  
DOE - Energy Policy Act 1992  
EPA WaterSense®

### KOHLER® Faucet Lifetime Limited Warranty

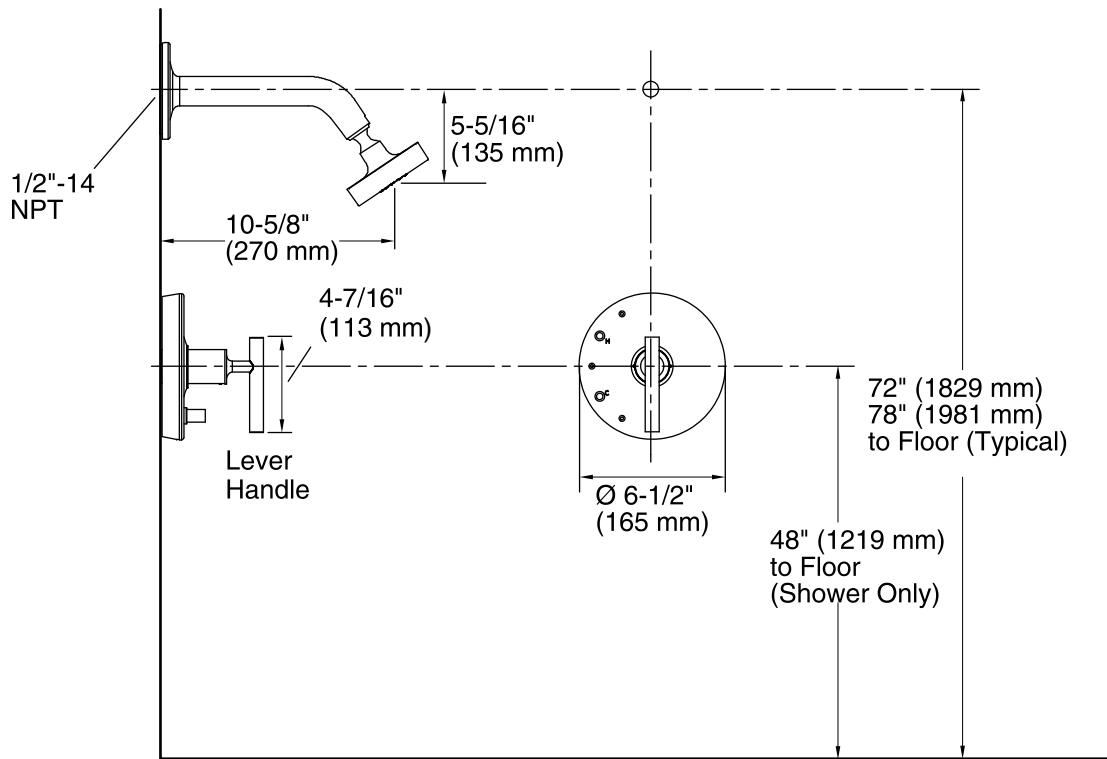
See website for detailed warranty information.

### Available Color/Finishes

*Color tiles intended for reference only.*

Color	Code	Description
-------	------	-------------

	CP	Polished Chrome
--	----	-----------------



### Technical Information

All product dimensions are nominal.

#### Showerhead:

Rated maximum flow: 2 gal/min (7.6 l/min)

Pressure: 80 psi (5.5 bar)

### Notes

Install this product according to the installation guide.

**NOTICE:** Risk of product damage. Long screws, for installing trim, can damage the K-2971-KS valve. Consult the trim installation guide to verify if the thin wall installation kit (88526) is needed.

Avoid cross-flow conditions. Do not install shut-off device on valve outlet.