

AXOR Starck
AXOR Starck Single-Hole Faucet without Pop-Up, Medium, 1.2 GPM
 Finishes : **chrome** Part no. : **10123001**



Description

Features

- Aerated spray
- Flow: 1.2 GPM (4.5 L/Min)
- Joystick ceramic cartridge

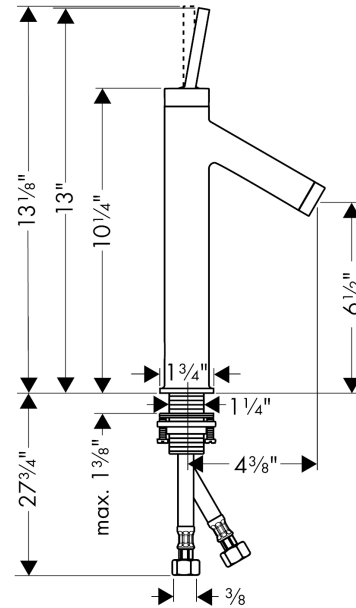
Technology



Product image



Scale drawing

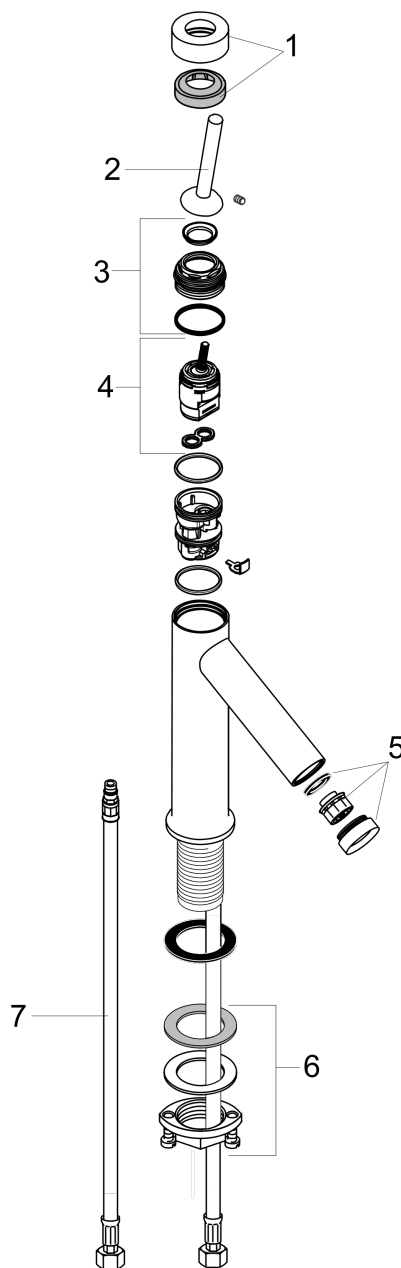


AXOR Starck
AXOR Starck Single-Hole Faucet without Pop-Up, Medium, 1.2 GPM
Finishes : **chrome** Part no. : **10123001**



Exploded drawing

Year of production: >07/16



AXOR Starck
AXOR Starck Single-Hole Faucet without Pop-Up, Medium, 1.2 GPM
 Finishes : **chrome** Part no. : **10123001**



Spare parts list

Year of production: >07/16

| Pos. | Description | Part no. | PC | PU |
|------|-----------------------------------|----------|----|----|
| 1 | flange | 97155000 | 0 | 1 |
| 2 | handle | 10092000 | 0 | 1 |
| 3 | nut | 97157000 | 0 | 1 |
| 4 | cartridge, assy | 96339000 | 0 | 1 |
| 5 | aerator M24x1 (4,5 l/min) | 92812000 | 0 | 1 |
| 6 | fixing set (Ø 32) | 13961000 | 0 | 1 |
| 7 | connection hose 18½" M8x0,75 3/8" | 96321001 | 0 | 1 |