

SPECIFICATION SUBMITTAL SHEET



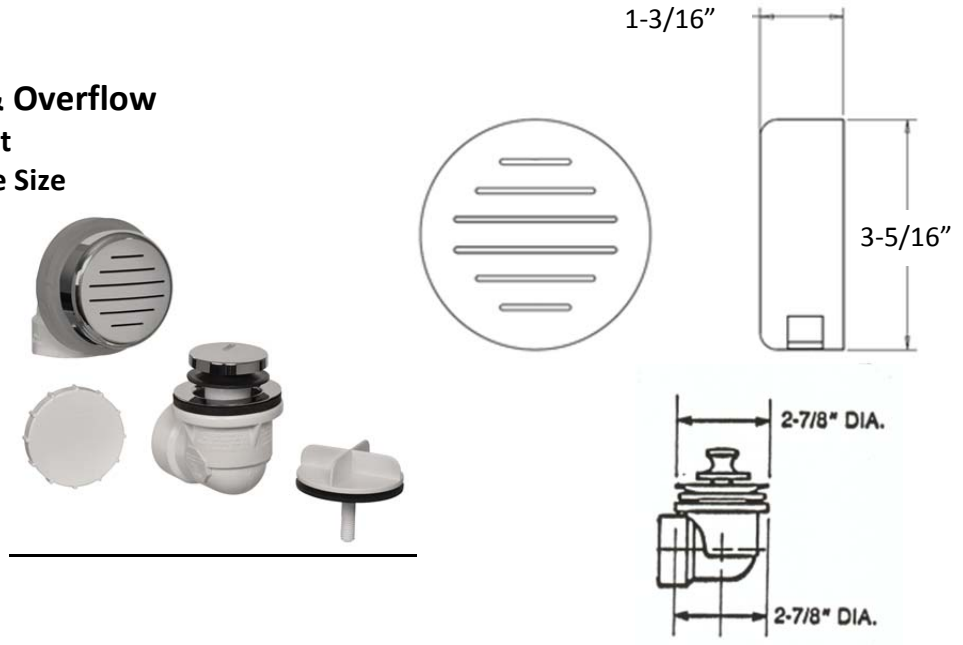
Schedule 40 Waste & Overflow - Classic High-flow Half Kit w/Test Kit and Touch Toe Stopper

Job Name: _____ Contractor: _____
 Job Location: _____ Approval: _____
 Engineer: _____ Contractor's PO#: _____
 Approval: _____ Representative: _____

Specifications

“Classic” High-flow Bath Waste & Overflow Half Kit (Less Pipe and Tee) with Test Kit with Brass Strainer 1-1/2 x 11-1/2” Pipe Size and Touch Toe Stopper

ADA Compliant



Select Part# Below for Style/Size/Finish of Product Specified:

Qty	AB&A Part#	Item #	Finish
PVC			
	ABA2235CSHF	62013	Chrome
	ABA2239SNCSHF	62014	Satin Nickel
	ABA2239VBCSHF	62124	Venetian Bronze
	ABA2239ORBCSHF	62117	Oil Rubbed Bronze
ABS			
	ABA2234CSHF	62012	Chrome
	ABA2238SNCSHF	62109	Satin Nickel
	ABA2238VBCSHF	62915	Venetian Bronze
	ABA2238ORBCSHF	62104	Oil Rubbed Bronze

