

Location:



Toilet Paper Holder 353TP Specification Submittal

Model Numbers

- 353TP Toilet Paper Holder

Feature Highlights

- Metal construction
- Mounting hardware included
- Standard finish is polished chrome

Finish Options / Modifications

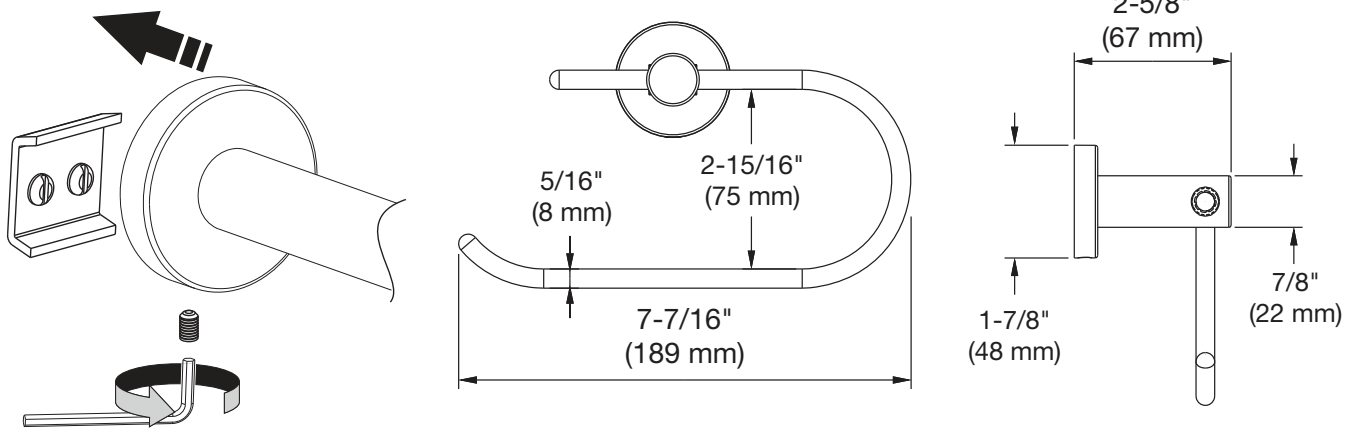
Append appropriate -suffix to model number

- BBZ Brushed Bronze finish
- MB Matte Black finish
- STN Satin Nickel finish
- Polished Chrome (standard finish)

Warranty

- Limited Lifetime - to the original end purchaser in residential/consumer installations.
- 5 years - for commercial installations

Dimensions *Dia Toilet Paper Holder, 353TP*



Note: Dimensions subject to change without notice