



# Side-by-Side Refrigerator

FPHC2399PF

23 Cu. Ft. Counter-Depth



## Product Dimensions

Height (Including Hinges & Rollers)	69-7/8"
Width (Doors)	36"
Depth (Including Door)	28-1/2"

## More Easy-To-Use Features

### Sliding SpillSafe® Glass Shelves

Slide-out for easy access and are designed to keep spills contained, making them easy to clean.

### SpaceWise® Plus

Gives you more space to keep food organized with SpillSafe® Glass Shelves, Adjustable Door Bins and Crisper Drawers.

### Cool Zone™ Drawer

Conveniently located in the fresh food compartment for easy access to sandwich foods.

### Counter-Depth Design

Counter-Depth refrigerators have a built-in look for a sleek style and take up less room in the kitchen than standard-depth refrigerators without losing usable shelf space.

### Store-More™ Humidity-Controlled Crisper Drawers

Keep your fruits and vegetables fresh in our humidity-controlled crisper drawers.

### Store-More™ Gallon Door Bins

Door storage gives you room for larger items — like a gallon of milk.

### Quick Freeze

Quickly freeze foods so they stay at their freshest.

### A.D.A. Compliant

When properly installed, this model is A.D.A.-qualified based on the United States Access Board's A.D.A./A.B.A. Accessibility Guidelines and the Department of Justice's 2010 A.D.A. Standards for Accessible Design.



Sabbath Mode (Star-K® Certified)

Available in:



Stainless (F)

*As compared to other consumer refrigeration water filtration systems.*

## Signature Features



### Adjustable Interior Storage

Over 100 ways to organize and customize your refrigerator.



### Best-in-Class Ice & Water Filtration<sup>1</sup>

PureSource Ultra® Water Filtration offers best-in-class water filtration so you get cleaner, better tasting water at your fingertips.



### Multi-Level LED Lighting

Corner-to-corner LED lighting throughout the refrigerator for better visibility.

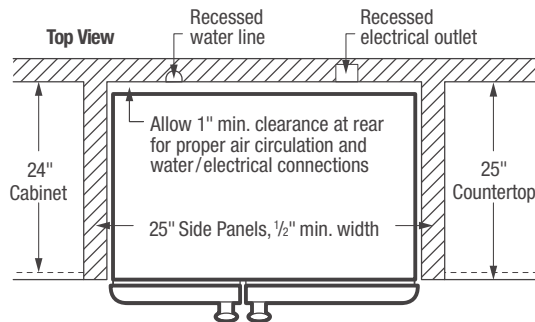
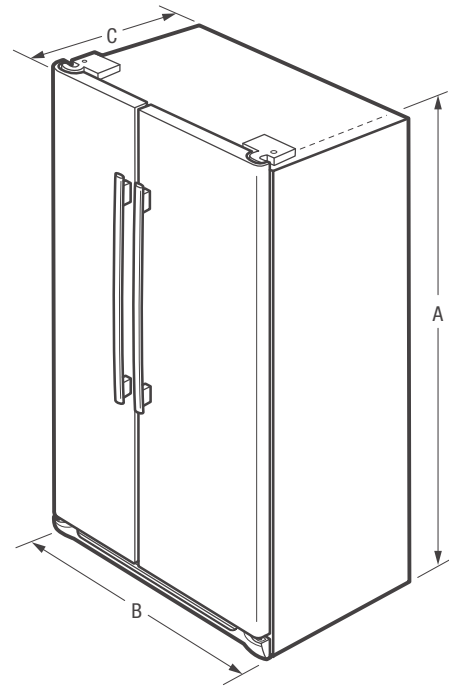
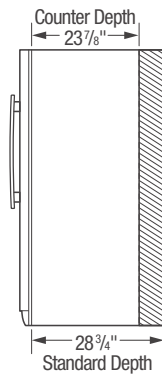


### Smudge-Proof™ Stainless Steel

Resists fingerprints and smudges so it's easy to clean.

Features	
Door Design	Curved
Door Handle Design	Stainless Steel
Cabinet Finish	Grey
Door Stops/Door Closers	Yes/Yes
Door Hinge Covers	Hidden
Rollers - Front/Rear	Adjustable/Yes
Energy Saver Plus Technology	Yes
Water Filter Location	Top Right Rear
Sound Package	Quiet Pack
Dispenser	
Controls	Pro-Select*
Dispenser Design	Flush, Single Paddle
Number of Dispenser Buttons	11
Crushed Ice/Cube Ice/Chilled Water	Yes/Yes/Yes
Ice Option	Quick Ice
Freeze Option	Quick Freeze
Display On/Off Option	Yes
Control Lock/Light	Yes/Yes
Temp/Door Ajar/Power Failure Alerts	Yes/Yes/Yes
Water Filter Change Indicator Light	Yes
Air Filter Change Indicator Light	Yes
Refrigerator Features	
Interior Lighting	Performance LED
Water Filter Type	PureSource Ultra*
Air Filter Type	PureAir Ultra*
Fixed Shelves	
Sliding Shelves	3 SpillSafe*
Cool Zone™ Drawer	1 Stacked
Wine/Can Rack	No/1 Clear
Upper Crisper/Lower Crisper	1 Clear/1 Clear
Humidity Controls	2
Dairy Compartment	1 Clear
Fixed Door Bins	1 One-Gallon Clear
Adjustable Door Bins	2 Two-Liter Clear
Non-Slip Bin Liner/Bottle Retainers	2 Silver/1 Clear
Condiment Bin	1 Clear
Freezer Features	
Door Bins/Tilt-Out Wire Door Bins	2 White/2
Fixed Shelves	2 Glass
Full Extension Baskets	
Full Freezer Baskets	2 Wire
Half Freezer Baskets	1 Wire
Ice Cream Shelf/Pizza Shelf	
SpaceSaver™ Shelf	Yes
Lighting	LED
Certifications	
A.D.A. Compliant <sup>1</sup>	Yes
Sabbath Mode (Star-K® Certified)	Yes
Specifications	
Total Capacity (Cu. Ft.)	22.16
Refrigerator Capacity (Cu. Ft.)	14.17
Freezer Capacity (Cu. Ft.)	7.99
Power Supply Connection Location	Right Bottom Rear
Water Inlet Connection Location	Left Bottom Rear
Voltage Rating	120V/60Hz/15A
Connected Load (kW Rating) @ 120 Volts <sup>2</sup>	1.02
Amps @ 120 Volts	8.5
Minimum Circuit Required (Amps)	15
Shipping Weight (Approx.)	325 Lbs.

**Standard Refrigerator Depth vs. Counter Depth**



NOTE: For planning purposes only. Always consult local and national electric and plumbing codes. Refer to Product Installation Guide for detailed installation instructions on the web at [frigidaire.com](http://frigidaire.com).



Product Dimensions		"Built-In Look" Cutout Dimensions	
A - Height (Incl. Hinges & Rollers)	69-7/8"	Height (Incl. Hinges & Rollers)	70-1/4"
B - Cabinet Width/Door Width	35-7/8" / 36"	Width	36"
C - Depth (Incl. Door)	28-1/2"	Depth	25"
Depth with Door Open 90°	45"		

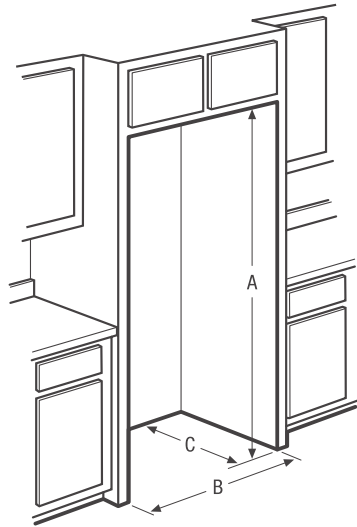
<sup>1</sup>When properly installed, this model is A.D.A.-qualified based on the United States Access Board's A.D.A./A.B.A. Accessibility Guidelines and the Department of Justice's 2010 A.D.A. Standards for Accessible Design.

<sup>2</sup>For use on adequately wired 120V, dedicated circuit having 2-wire service with a separate ground wire. Appliance must be grounded for safe operation.

Accessories information available on the web at [frigidaire.com](http://frigidaire.com)

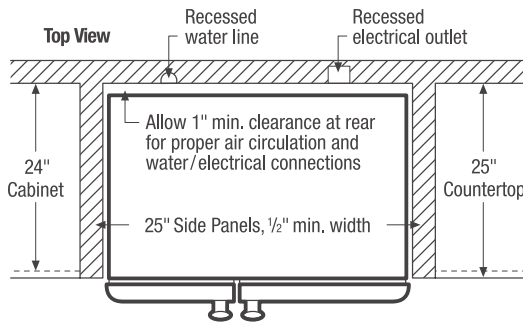
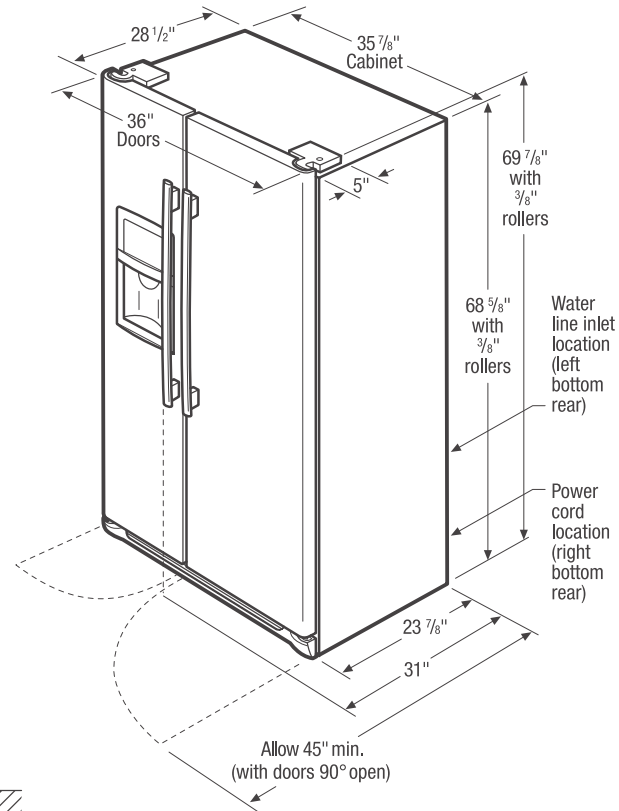
## FRIGIDAIRE

USA • 10200 David Taylor Drive • Charlotte, NC 28262 • 1-800-FRIGIDAIRE • [frigidaire.com](http://frigidaire.com)  
 CANADA • 5855 Terry Fox Way • Mississauga, ON L5V 3E4 • 1-800-265-8352 • [frigidaire.ca](http://frigidaire.ca)



**“Built-In Look”  
Cutout Dimensions**

(A) 70 1/4" (B) 36" (C) 25"



**Side-by-Side Refrigerator Specifications**

- Product Shipping Weight (approx.) - 325 Lbs.
- Voltage Rating - 120V / 60 Hz / 15 Amps
- Connected Load (kW Rating) @ 120 Volts = 1.02 kW (For use on adequately wired 120V, dedicated circuit having 2-wire service with a separate ground wire. Appliance must be grounded for safe operation.)
- Amps @ 120 Volts = 8.5 Amps
- Always consult local and national electric & plumbing codes.
- Floor should be level surface of hard material, capable of supporting fully loaded refrigerator.
- When installing refrigerator adjacent to wall, cabinet or other appliance that extends beyond front edge of unit, 20" minimum clearance recommended to allow for optimum 120° to 180° door swing, providing complete drawer / crisper access and removal. (*Absolute 4-1/2" minimum clearance will ONLY allow for 90° door swing which will provide drawer / crisper access with restricted removal.*)
- To ensure optimum performance, avoid installing in direct sunlight or close proximity to range, dishwasher or other heat source.
- For proper ventilation, front grille MUST remain unobstructed.

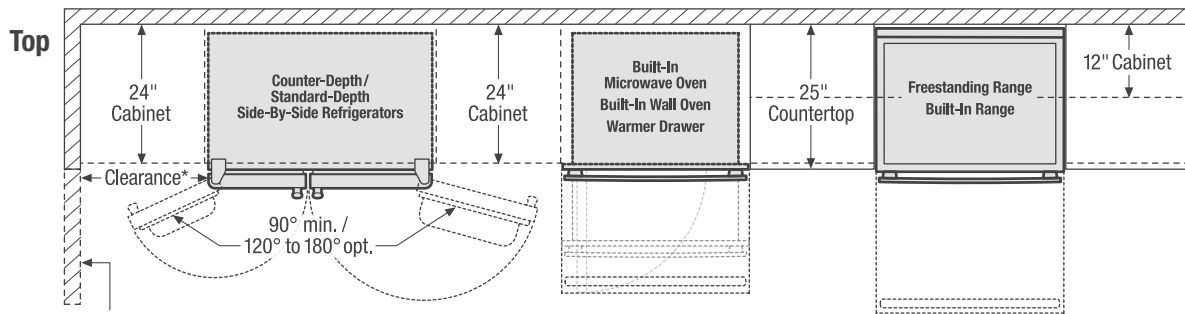
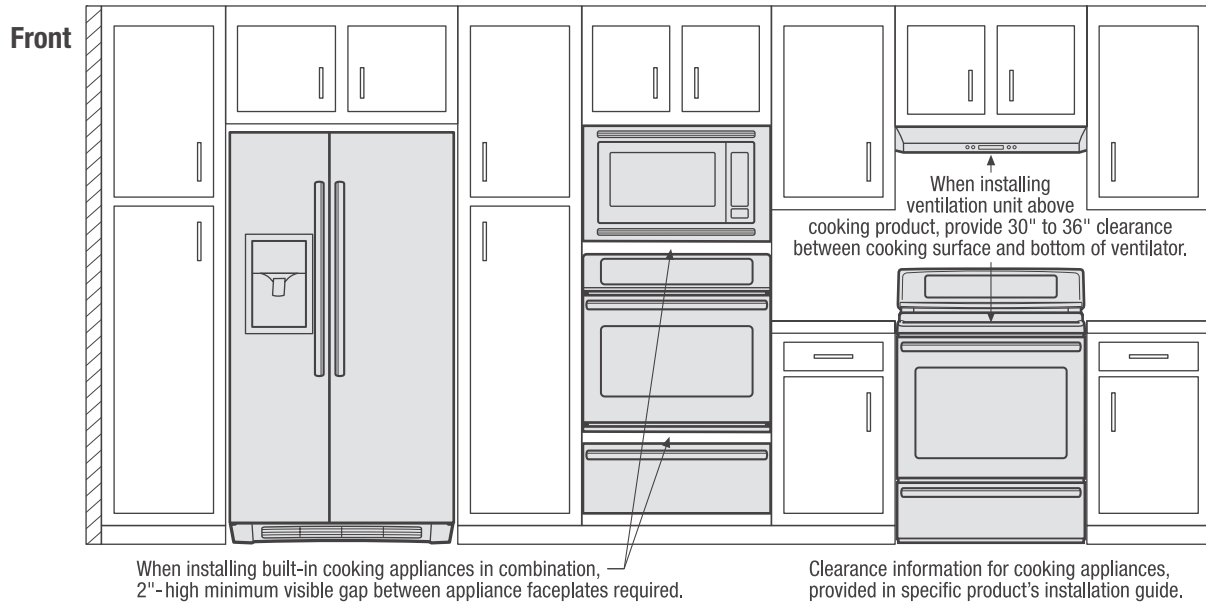
- Recess electrical outlet when possible.
- Water recess on rear wall recommended to prevent water line damage.
- Water Pressure - Cold water line must provide between 30 and 100 pounds per square inch (psi).
- Copper tubing with 1/4" O.D. recommended for water supply line with length equal to distance from rear of unit to household water supply line plus 7 additional feet. Optional Water Supply Installation Kits available.
- Adjustable front rollers to assist with door alignment.

**“Built-In Look” Specifications**

- Minimum opening of 70-1/4" H x 36" W x 25" D required to allow for ease of installation, proper air circulation, and plumbing / electrical connections.
- Remove all wall / floor molding prior to installation.

**Note: For planning purposes only. Refer to Product Installation Guide on the web at [frigidaire.com](http://frigidaire.com) for detailed instructions.**

Use these dimensions and clearance instructions for planning purposes only. For detailed installation instructions, refer to installation guide, packed with product, or on the web at [frigidaire.com](http://frigidaire.com).



\*When installing side-by-side refrigerator adjacent to wall, cabinet or another appliance that extends beyond front edge of unit, 20" minimum clearance recommended to allow for optimum 120° to 180° door swing, providing complete drawer/crisper access and removal. (Absolute 4-1/2" minimum clearance will ONLY allow for 90° door swing which will provide limited drawer/crisper access with restricted removal.)

When installing appliance with sliding drawer, swinging or drop-down door directly across from obstructions, provide sufficient clearance for drawer extension or door swings.

