

# BrassCraft®



## Tankless Water Heater Kits



# ALL-IN-ONE

Now available in  **Compliant**

## Tankless Water Heater Service Valves

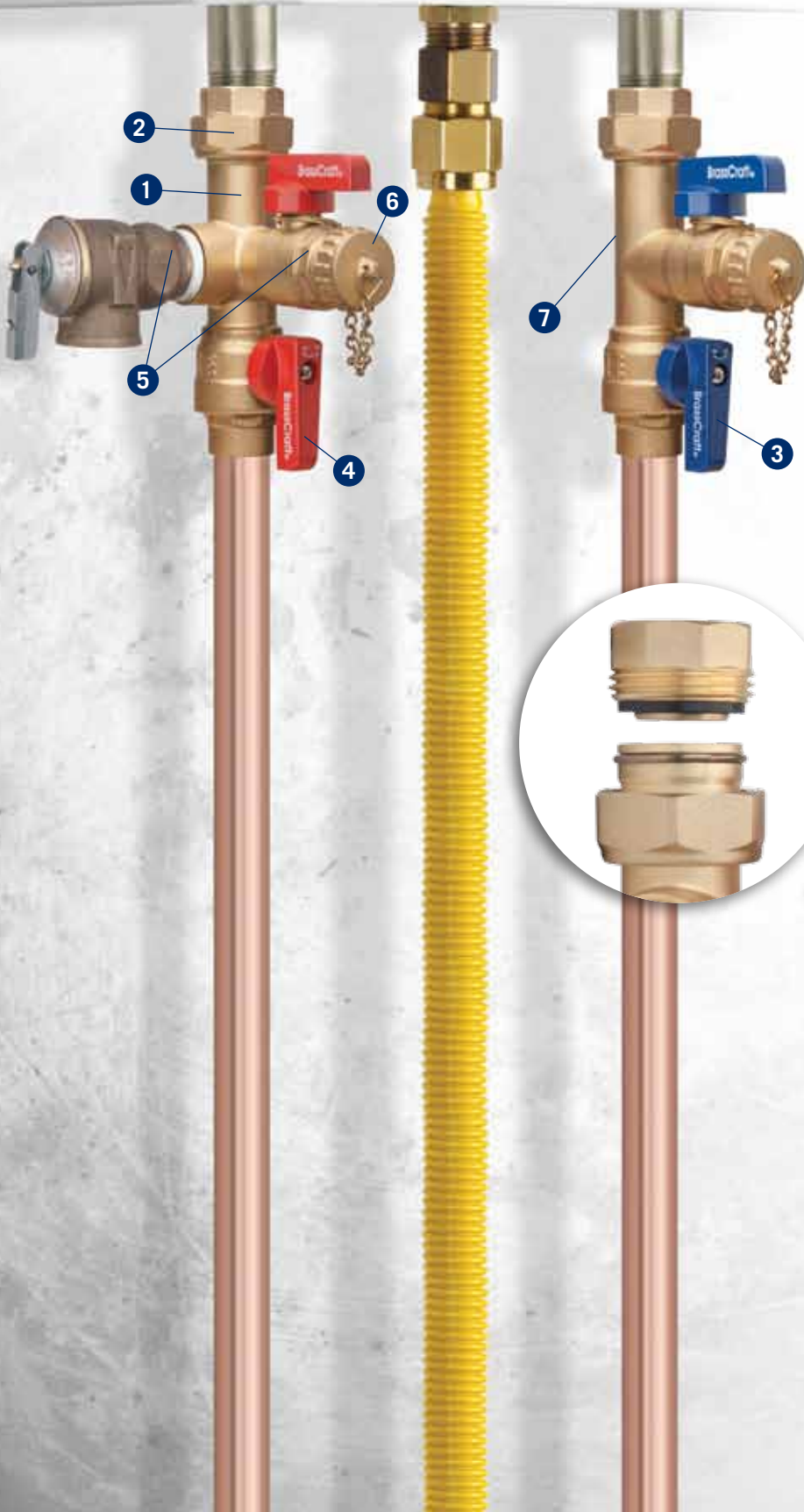
**Slim. Sleek.  
And simply smart.**

BrassCraft® tankless water heater service valves offer a full array of installation essentials including:

**1 NEW! COMPACT VALVE BODY:**  
Slim-fit design provides an aesthetically appealing finished look—ideal for tight installations.

**2 NEW! CAPTIVE NUT & WASHER:**  
Retaining ring and lip ensure the nut and washer remain intact, eliminating the potential for misplacing these crucial components during installation. Equally important, the captive washer won't misalign or kink—providing a hassle-free seal.

**3 COLOR-CODED HANDLES:**  
For quick system identification.





*Compact design ideal for cover and recessed box installations*



**NEW! PACKAGING:** *Significantly smaller and conveniently sized to reduce jobsite waste*

## All-In-One Installation Kits

BrassCraft Manufacturing has been helping plumbers for over 65 years. So we know a thing or two about making installation jobs quick and easy. That's what our all-in-one Tankless Water Heater Kits are all about. We put the components required for a professional looking, professional lasting installation into one convenient package—a package that also features a number of important benefits, including:

- A compact valve design makes installation easy—especially in areas with limited space
- A gas connector with the exclusive Pro-Coat® corrosion resistant coating for added protection from harmful chemicals that could degrade the connector and generate pinhole leaks
- A premium, Italian-made full-port gas ball valve
- IAPMO Certified. NSF 61 Approved (Service Valves)
- CSA Certified (Gas Connector, PRV and Gas Ball Valves)

With everything you need in one compact box—including the gas connector—our Tankless Water Heater Kits are convenient, easy to install and now compliant! It's what you've come to expect from the brand professionals worldwide trust for high quality plumbing solutions.



### 4 RIGHT-SIZED HANDLES, RIGHT-SIDE PLACEMENT:

Front-aligned, ergonomic design enables trouble-free valve positioning in tight spaces. Handles remain accessible during installation and maintenance—even when a cover box is involved.

### 5 INTEGRATED PR VALVE PORT & DRAIN VALVE:

Full system integration reduces the number of required connections, making installation quick and easy. Additionally, independent flow control on the drain valve provides efficient system maintenance and repair.

### 6 BRASS CAP WITH CHAIN:

Brass cap withstands higher temperatures than plastic, ensuring higher level of safety with a reduced risk of melting during sweat installation.

### 7 FULL PORT DESIGN:

Full-flow forged brass body eliminates potential for pinhole leaks.

## Our Commitment to Compliance



As an industry leader, BrassCraft Manufacturing is continuously developing solutions for the ever-changing plumbing industry. In 2009, we met California's low-lead requirements as one of the first manufacturers to introduce a compliant line of products. Today, we proudly offer a full range of high quality compliant products nationwide including brass stops, solid brass fittings, water heater connectors, and Speedi Plumb® risers for your plumbing needs.

## Why the move to low lead plumbing fixtures?

Low lead legislation requires the virtual elimination of the lead content of pipes, pipe fittings or plumbing fittings and fixtures intended to convey or dispense water for drinking or cooking. The laws prohibit the sale of plumbing fixtures with a wetted surface area containing more than a weighted average of .25% lead. Effective January 4, 2014, these same low lead standards will apply throughout the United States, pursuant to federal legislation. As 2014 approaches, continue to check our website for updates and information.



## Tankless Water Heater Kits. Completely Inclusive. Altogether Innovative.

For over 65 years, plumbing professionals worldwide have trusted BrassCraft Manufacturing to deliver high quality products and customer service that consistently exceed the needs of the ever-changing plumbing industry. Our strength in product innovations and product line diversity is showcased in the full line of BrassCraft® Tankless Water Heater Installation Kits.



Designed to make quick work of virtually any installation, BrassCraft® Tankless Water Heater Kits incorporate dynamic innovations for both water and gas connections. From the fully integrated service valves to the corrosion resistant, full flow gas connectors, BrassCraft® Tankless Water Heater Kits

provide fast, no-hassle

installations with a clean, professional appearance.



AVAILABLE KIT OPTIONS		Case Qty.	Case Wt.	UPC
<b>Tankless Service Valve Kits</b>				
TWV30	IPS x IPS Service Valve Kit	6	24	026613139586
TWV30X ✓	IPS x IPS Service Valve Kit	6	24	026613141350
TWV30R	IPS x IPS Service Valve Kit with 200 kBtu/hr Pressure Relief Valve	6	27	026613139616
TWV30RX ✓	IPS x IPS Service Valve Kit with 200 kBtu/hr Pressure Relief Valve	6	27	026613141343
TWV3S	Sweat x IPS Service Valve Kit	6	22	026613140681
TWV3SX ✓	Sweat x IPS Service Valve Kit	6	22	026613141411
TWV3SR	Sweat x IPS Service Valve Kit with 200 kBtu/hr Pressure Relief Valve	6	25	026613140674
TWV3SRX ✓	Sweat x IPS Service Valve Kit with 200 kBtu/hr Pressure Relief Valve	6	25	026613141404
<b>Tankless Gas Connector Kits</b>				
TK30RB21-18	IPS x IPS Valve Kit with 3/4" ID (3/4" FIP x 3/4" MIP) x 18" Gas Connector & (200 kBtu/hr) PR Valve	3	18	026613139630
TK30RB21-18X ✓	IPS x IPS Valve Kit with 3/4" ID (3/4" FIP x 3/4" MIP) x 18" Gas Connector & (200 kBtu/hr) PR Valve	3	18	026613141367
TK30RB21-24	IPS x IPS Valve Kit with 3/4" ID (3/4" FIP x 3/4" MIP) x 24" Gas Connector & (200 kBtu/hr) PR Valve	3	20	026613139654
TK30RB21-24X ✓	IPS x IPS Valve Kit with 3/4" ID (3/4" FIP x 3/4" MIP) x 24" Gas Connector & (200 kBtu/hr) PR Valve	3	20	026613141374
TK3SRB21-18	Sweat x IPS Valve Kit with 3/4" ID (3/4" FIP x 3/4" MIP) x 18" Gas Connector & (200 kBtu/hr) PR Valve	3	17	026613140711
TK3SRB21-18X ✓	Sweat x IPS Valve Kit with 3/4" ID (3/4" FIP x 3/4" MIP) x 18" Gas Connector & (200 kBtu/hr) PR Valve	3	17	026613141923
TKS3RB21-24	Sweat x IPS Valve Kit with 3/4" ID (3/4" FIP x 3/4" MIP) x 24" Gas Connector & (200 kBtu/hr) PR Valve	3	19	026613140735
TKS3RB21-24X ✓	Sweat x IPS Valve Kit with 3/4" ID (3/4" FIP x 3/4" MIP) x 24" Gas Connector & (200 kBtu/hr) PR Valve	3	19	026613141930
<b>Tankless Gas Connector &amp; Valve Kits</b>				
TK30RB21-18G3	IPS x IPS Valve Kit with 3/4" ID (3/4" FIP x 3/4" MIP) x 18" Gas Connector, 3/4" Full-Port Gas Ball Valve & PR Valve	3	20	026613139623
TK30RB21-24G3	IPS x IPS Valve Kit with 3/4" ID (3/4" FIP x 3/4" MIP) x 24" Gas Connector, 3/4" Full-Port Gas Ball Valve & PR Valve	3	22	026613139647
TK3SRB21-18G3	Sweat x IPS Valve Kit with 3/4" ID (3/4" FIP x 3/4" MIP) x 18" Gas Connector, 3/4" Full-Port Gas Ball Valve & PR Valve	3	19	026613140704
TK3SRB21-24G3	Sweat x IPS Valve Kit with 3/4" ID (3/4" FIP x 3/4" MIP) x 24" Gas Connector, 3/4" Full-Port Gas Ball Valve & PR Valve	3	21	026613140728
TBV12F	Full-Port Gas Ball Valve 3/4" FIP x 3/4" FIP	6	4	026613139609

Part numbers ending in "X" and followed by ✓ are compliant brass products.



Scan for more information

**BrassCraft Manufacturing Co.**  
 39600 Orchard Hill Place  
 Novi, Michigan 48375-5331  
 TOLL-FREE: (877) 272-7755  
 FAX: (248) 305-6011

350 South Edgeware Road  
 St. Thomas, Ontario Canada N4P 4C4  
 TOLL-FREE: (800) 265-4322  
 FAX: (800) 567-9100

**For Residential and Commercial Applications**

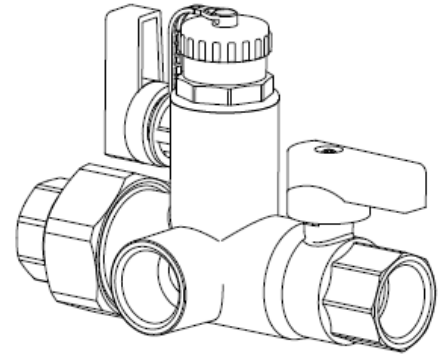
Job Name		Engineer / Architect	
Job Location		Wholesaler	
Submittal Date		Contractor	

## TWV30 /TWV3S Tankless Water Heater Hot/Cold Service Valves

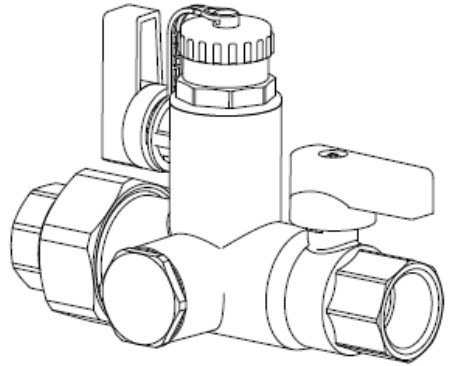
**Use:** For use in potable water distribution systems. Valves are used for water flow control to and from tankless water heater for maintenance of the appliance and emergency shut-off. Valves connect directly to cold water inlet and hot water outlet of the tankless water heater.

**Design Features:**

- **One-piece construction** reduces the potential for leaks
- **Integrated drain valve** with independent, ¼ turn operation allows quick system diagnostic testing and maintenance
- **Built-in side port** for the pressure relief valve reduces the number of connections & simplifies the installation process
- **Color-coded valve handles** & coupling ring provides immediate water system identification
- **Right-sized handles** ensures on-off operation even in tight installations
- **Large wrench flats** on coupling nut for ease of installation
- **O-ring seal** on coupling nut won't kink or tear during installation



HOT



COLD

**Operating Specifications:**

- Temperature:** 40° - 180° F
- Pressure:** 125 psi maximum

<b>MATERIAL SPECIFICATIONS</b>	
<b>Valve Body</b>	Forged CW617N brass
<b>Ball</b>	Chrome-plated CW614N brass
<b>Seals / Seats</b>	PTFE
<b>Stem</b>	C36000 brass
<b>Coupling Nut</b>	Forged CW617N brass
<b>O-ring</b>	Nitrile rubber
<b>Drain Cap</b>	Forged CW617N brass
<b>Cap Gasket</b>	Nitrile rubber
<b>Handle</b>	Aluminum
<b>Screw</b>	Zinc-plated steel

**Part Listing:**

- TWV30 3/4" IPS x 3/4" IPS Hot/Cold Service Valves Only
- TWV3S 3/4" Sweat x 3/4" IPS Hot/Cold Service Valves Only

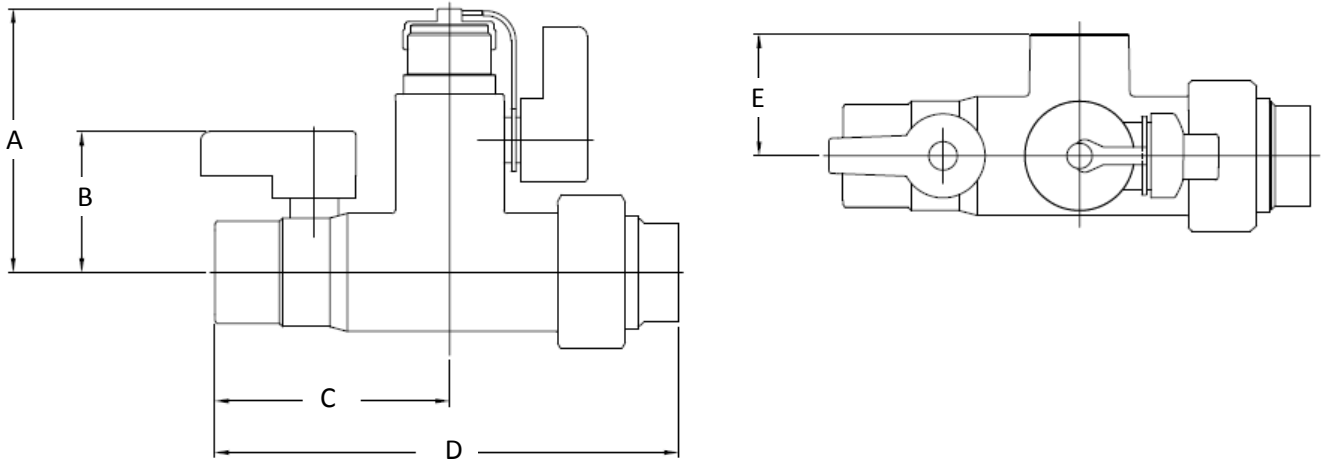
*This specification and all information contained herein is the confidential and exclusive property of BrassCraft Manufacturing, and shall not be disclosed to others without the written consent of BrassCraft. This specification must be returned to BrassCraft if requested.*



# TWV30 /TWV3S Tankless Water Heater Hot/Cold Service Valves

**Part Listing (con't):**

- TWV30R      3/4" IPS x 3/4" IPS Hot/Cold Service Valve Kit w/ 200K Pressure Relief Valve
- TWV3SR      3/4" Sweat x 3/4" IPS Hot/Cold Service Valve Kit w/ 200K Pressure Relief Valve



<b>PART SPECIFICATIONS (Inches)</b>					
<b>Model</b>	<b>DIM. A</b>	<b>DIM. B</b>	<b>DIM. C</b>	<b>DIM. D</b>	<b>DIM. E</b>
TWV30 / TWV30R	3.37	1.69	3.00	5.91	1.65
TWV3S / TWV3SR	3.37	1.69	3.00	5.91	1.65

**Listings and Certifications:**

- CSA verified to WOG 600 rating

*This specification and all information contained herein is the confidential and exclusive property of BrassCraft Manufacturing, and shall not be disclosed to others without the written consent of BrassCraft. This specification must be returned to BrassCraft if requested.*

