

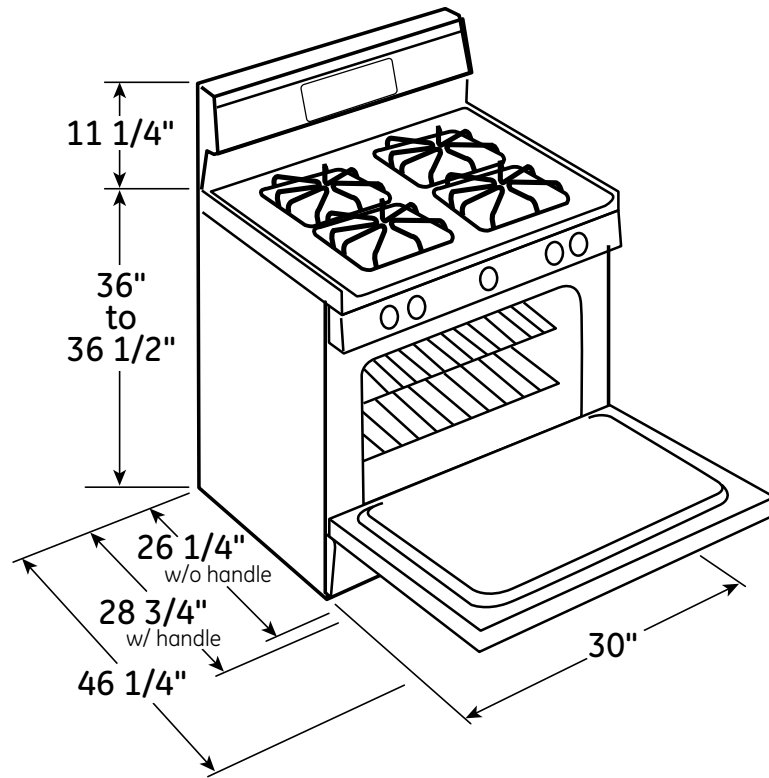
# JGB650SEF/EEF

## GE® 30" Free-Standing Gas Range

### Dimensions and Installation Information (in inches)

**Electrical Rating:** 120V, 60Hz, 15A

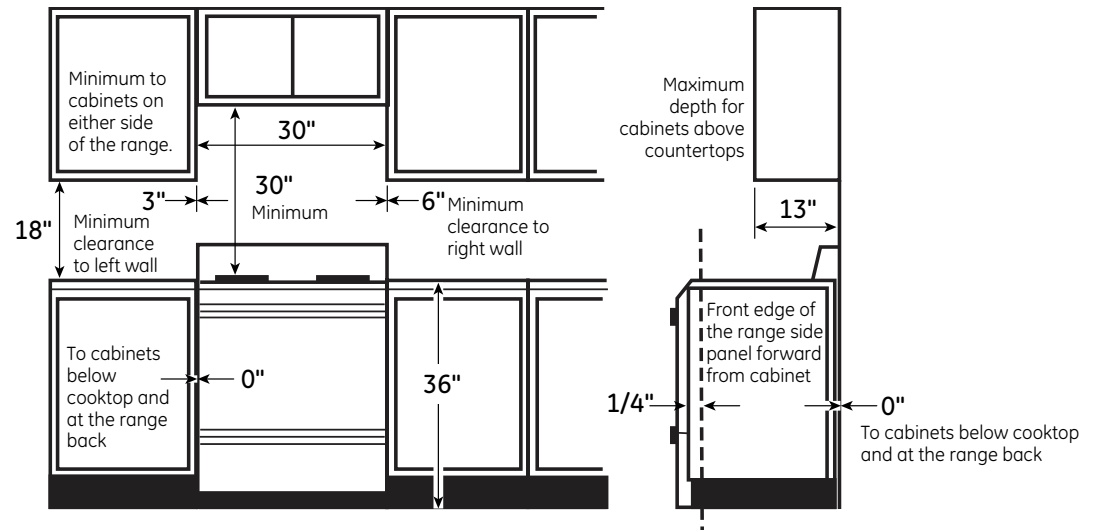
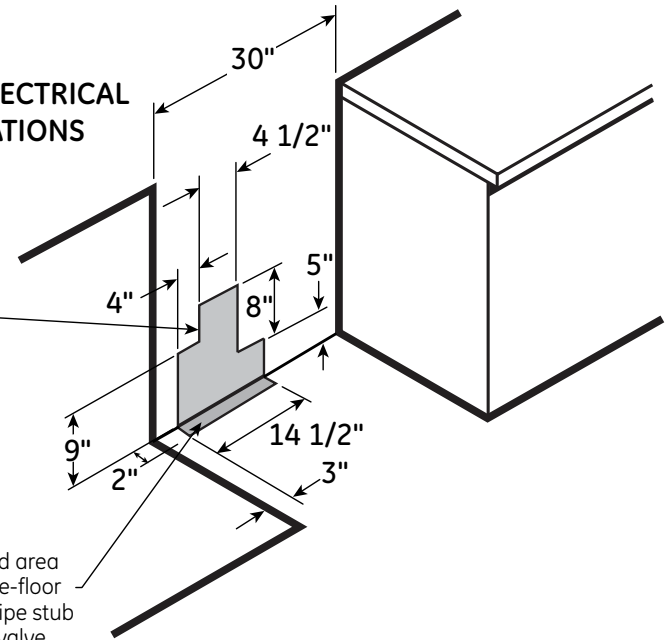
**Installation Information:** Before installing, consult installation instructions packed with product for current dimensional data.



### GAS PIPE AND ELECTRICAL OUTLET LOCATIONS

Recommended area for 120V outlet on rear wall and area for through-the-wall connection of pipe stub and shut-off valve.

Recommended area for through-the-floor connection of pipe stub and shut-off valve.



For answers to your Monogram® or GE® appliance questions, visit our website at [geappliances.com](http://geappliances.com) or call GE Answer Center® service, 800.626.2000.



All GE ranges are equipped with an Anti-Tip device. The installation of this device is an important, required step in the installation of the range.



Specification Revised 10/13

330440

# JGB650SEF/EEF

## GE® 30" Free-Standing Gas Range

### Features and Benefits

- 17,000 BTU Power Boil Burner - Delivers intense heat for fast boiling
- Center Oval Burner - Large oval fifth burner is ideal for griddle or odd-size cookware
- Precise Simmer Burner - Delicate foods don't burn with low, even heat
- Heavy-Cast, Continuous Grates - Allow for easy movement of pans between burners
- Deep-Recessed Cooktop - Contains spills for quick and easy cleaning
- Self-Clean Oven - Cleans the oven cavity without the need for scrubbing
- 5.0 cu. ft. Oven Capacity - Cook more dishes at once
- Model JGB650SEFSS - Stainless steel
- Model JGB650EEFES - Slate

