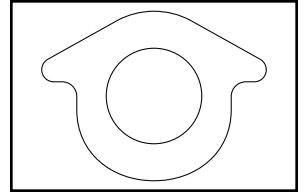
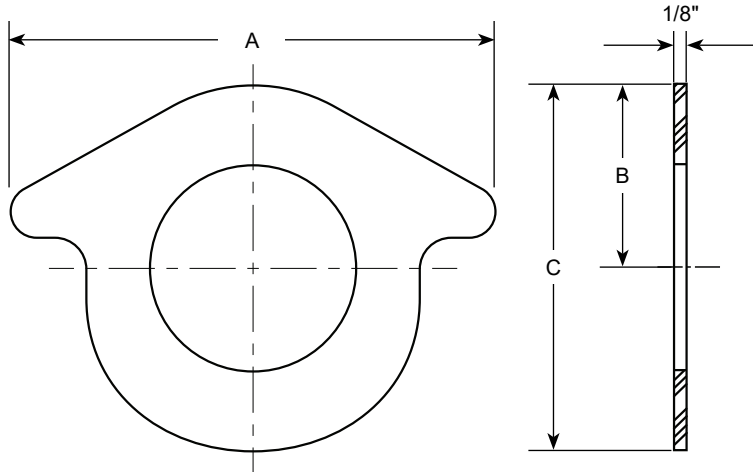


SUBMITTAL INFORMATION

Drop-in Meter Gasket - (GT-14x style)



RUBBER GASKET FOR 1-1/2" AND 2" FLANGE METER CONNECTIONS



COUPLING SIZE	DIAMETER A	DIAMETER B	DIAMETER C	THICKNESS (T)	PART NUMBER	✓ SUBMITTED ITEM(S)
1-1/2"	4-5/8"	1-21/32"	3-5/16"	1/8"	GT-140	
2"	5-1/4"	2"	4"	1/8"	GT-141	

FEATURES

- EPDM Rubber Gasket
- Conforms to ASTM D2000
- NSF 61 Compliant
- Drop in gaskets for flange meter connections

The Ford Meter Box Company considers the information in this submittal form to be correct at the time of publication. Item and option availability, including specifications, are subject to change without notice. Please verify that your product information is current. Our standard warranty applies.



The Ford Meter Box Company, Inc.

P.O. Box 443, Wabash, Indiana U.S.A. 46992-0443

Phone: 260-563-3171 / Fax: 800-826-3487

Overseas Fax: 260-563-0167

www.fordmeterbox.com

02/24/20

Submitted By: