

Pre-Rinse Faucets

TECK[®]
COMMERCIAL

DELTA[®]

Specification: (example 55T15xx)

- **CAST BRASS Wallmount** pre-rinse faucet
- 203mm (8"), two handle, integral check stops
- **TUF-TECK[®]** compression structures
- Polished chrome plated finish trim
- ADA compliant, color indexed, vandal resistant, 76mm (3.0") metal lever blade handles
- 3/8" IPS rigid riser, wall bracket, spray head hook and ...
- with ... (add No. 5 product variation)
- with ... (add outlet required)
- with ... adjustable centers (add Suffix **AC** if required) (see Back Page)



55T1513

Specification: (example 55T12xx & 55T13xx)

- **CAST BRASS Deckmount** pre-rinse faucet
- Two handle, inlet check tails
- Polished chrome plated finish
- **TUF-TECK[®]** compression structures
- ADA compliant, color indexed vandal resistant, 76mm (3.0") metal lever blade handles
- 3/8" IPS rigid riser, wall bracket, spray head hook and ... with ... (add product variation No. 2 or No. 3) with ... (add outlet required)

Engineer/Architect Approval

Model Specified:

Approval:

Date:

DESCRIPTION	PRODUCT NO.		
Pre-Rinse Faucet	55T1		3

For 55T1090 Add-On Faucet, see back page



PRODUCT VARIATION	OUTLET	HANDLE
0 <input type="checkbox"/>	0 <input type="checkbox"/>	0 <input type="checkbox"/>
1 <input type="checkbox"/>	1 Spray with Spring Loaded S.S. Hose Auto Shut-off <input type="checkbox"/>	1 <input type="checkbox"/>
2 203mm (8") Deckmount Faucet <input type="checkbox"/>	2 <input type="checkbox"/>	2 <input type="checkbox"/>
3 102mm (4") Center Deckmount Faucet <input type="checkbox"/>	3 <input type="checkbox"/>	3 76mm (3") Lever Blade Handles <input checked="" type="checkbox"/>
4 <input type="checkbox"/>	4 <input type="checkbox"/>	4 <input type="checkbox"/>
5 203mm (8") Center Wallmount Faucet <input type="checkbox"/>	5 <input type="checkbox"/>	5 <input type="checkbox"/>
6 <input type="checkbox"/>	6 <input type="checkbox"/>	6 <input type="checkbox"/>
7 <input type="checkbox"/>	7 <input type="checkbox"/>	7 <input type="checkbox"/>
8 <input type="checkbox"/>	8 Same as No. 1 Above but with Add-On Faucet (S5), 1.5 USGPM (5.7 L/min.) Aerator (1) <input type="checkbox"/>	8 <input type="checkbox"/>
9 <input type="checkbox"/>	9 <input type="checkbox"/>	9 <input type="checkbox"/>

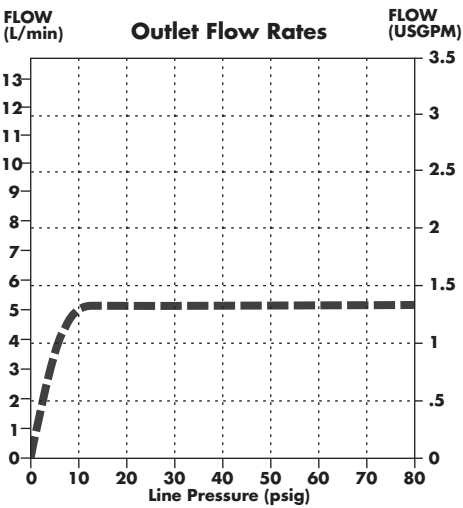
(1) Available **Optional Swing Spouts**. These spouts can ONLY be added to **Outlet Option No. 8** and **55T1090**. Refer to www.specselect.com for individual models.

Note: Use this page front and back as a product submittal sheet.

Approvals:

- CSA certified
- Complies to ASME A112.18.1/CSA B125.1
- Lever Blade Handle
ADA Compliant and meets Handicapped Accessibility Standard ICC/ANSI A117.1/ADA of less than 5 lbs. operating force.
- Verified compliant with 0.25% weighted average Pb content regulations.
- "For Commercial Use Only"
(Contact Delta Representative for State and/or Local Approvals.)

FLOW RATE vs PRESSURE



Add-On Spout Outlet
■ Aerator
Flowrate w/ Standard Pre-Rinse Spray Outlet
1.6 USGPM @ 60 PSI
Flowrate w/ Energy Saver Pre-Rinse Spray Face
(Also supplied with standard product)
1.2 USGPM @ 60 PSI

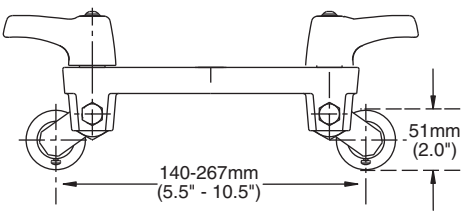
PRODUCT VARIATION No. 5
INLETS - 1/2 - 14 NPT (Female) or 1/2 - 14 NPT (Male) with Supplied Nipple

PRODUCT VARIATION No. 2 & 3
INLETS - 3/8 or 1/2" Flexible Riser or 1/2 - 14 NPSM Coupling Nut (Supplied)

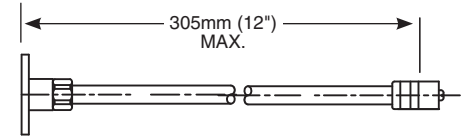
Note: Measurements may vary ± 6mm (0.25")

Wallmount Faucet ADJUSTABLE CENTERS

ADD Suffix "AC" to Product Number

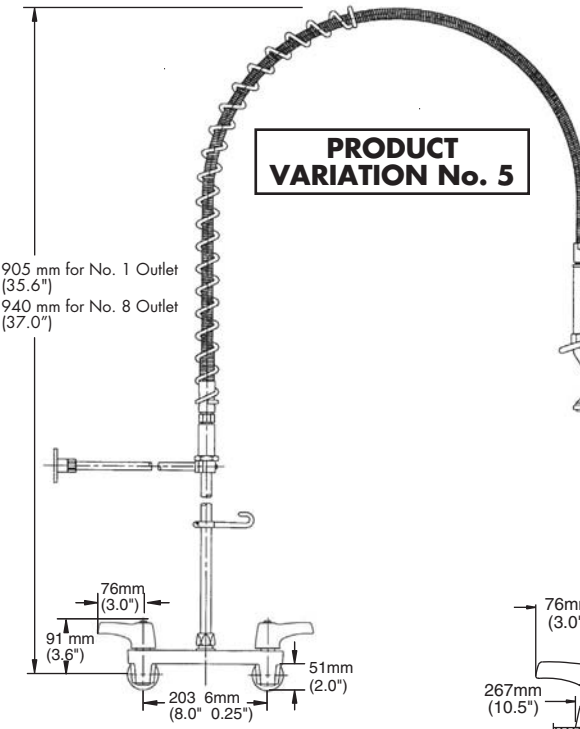


WALL BRACKET

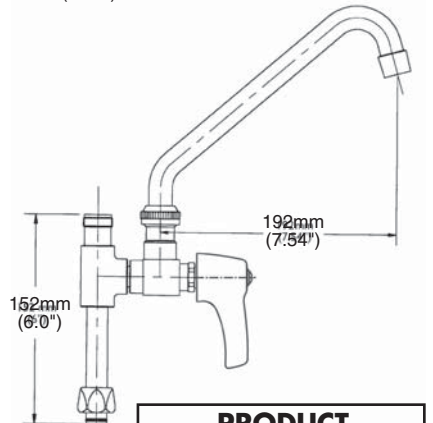
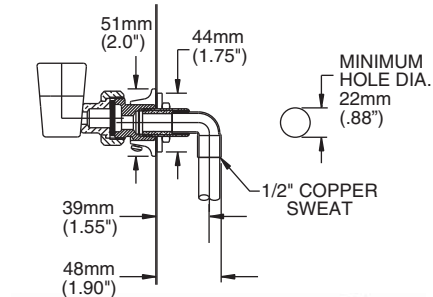


MODEL No. 55T1090
 (Will add 152mm (6") to overall height if ordered and installed separately.)

FOR OPTIONAL SWING SPOUTS
 See DSP-S/S for detailed specification
 (Found in the "Add-On Option" section when using the printed spec binder)

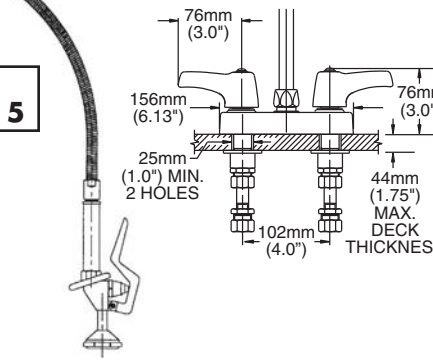


Thin Wall Installation



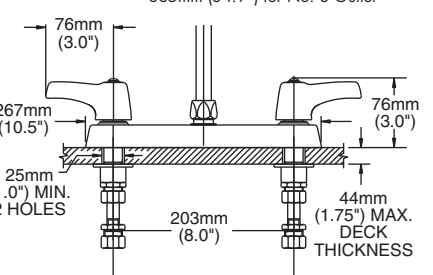
PRODUCT VARIATION No. 3

Note: Overall Height
 850mm (33.5") for No. 1 Outlet
 885mm (34.9") for No. 8 Outlet



PRODUCT VARIATION No. 2

Note: Overall Height
 850mm (33.5") for No. 1 Outlet
 885mm (34.9") for No. 8 Outlet



Note: Use this page front and back as a product submittal sheet.